

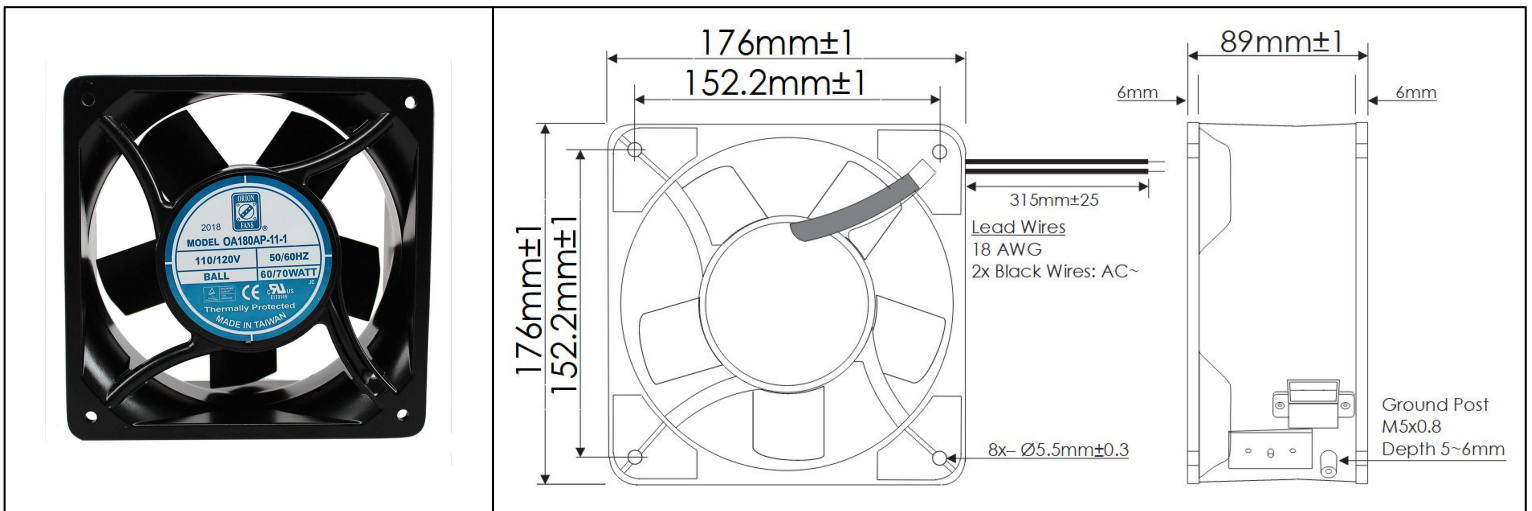


Datasheet

RS PRO AC FAN 176x176x89

Stock Number: 619-6905

EN



Frame	Die Cast Aluminum, Black Finish	<u>Operating Temperature</u> -20°C ~ +70°C	<p><u>Storage Temperature</u> -40°C ~ +100°C</p> <p><u>Life Expectancy</u> 90,000 Hours (L10 at 35°C)</p> <p>Weight: 1.8Kgs (4 lbs.)</p>	
Impeller	PBT, UL94 V-0 Plastic	<u>Storage Temperature</u> -40°C ~ +100°C		
Connection	Wire Leads, 18 AWG	<u>Life Expectancy</u> 90,000 Hours (L10 at 35°C)		
Motor	AC Motor,Capacitor Induction, Impedance and Thermally Protected	Weight: 1.8Kgs (4 lbs.)		
Bearing System	Ball Bearings			
Dielectric Strength	1500 VAC/min, < 1mA			
Insulation Resistance	≥10M Ohm @ 500 VDC			

Model Number	619-6905
Rated Voltage (Volts AC)	115
Voltage Range (Volts AC)	100 ~ 120
Frequency (Hertz)	50 / 60
Rated Power (Watts)	60 / 70
Rated Speed (RPM)	2700 / 3175
Max Airflow (CFM)	360.7 / 409.2
Noise Level (dBA)	62 / 62
Max Static Pressure (\"H ₂ O)	0.68 / 0.85