



Momentary Push Button Switches

SPECIFICATIONS:

BUSHING: $\varnothing 22\text{mm}$.
 CONTACT RATING: 2A @ 48VDC or 125VAC.
 ELECTRICAL LIFE: 10,000cycles at full load.
 CONTACT RESISTANCE: 10m-ohms max. initial @2-4VDC.
 INSULATION RESISTANCE: 1,000M-ohms min. @ 500VDC.
 DIELECTRIC STRENGTH: 3,000VAC for 1 minute.
 OPERATING TEMPERATURE: $-20^{\circ}\text{C} \sim +55^{\circ}\text{C}$.

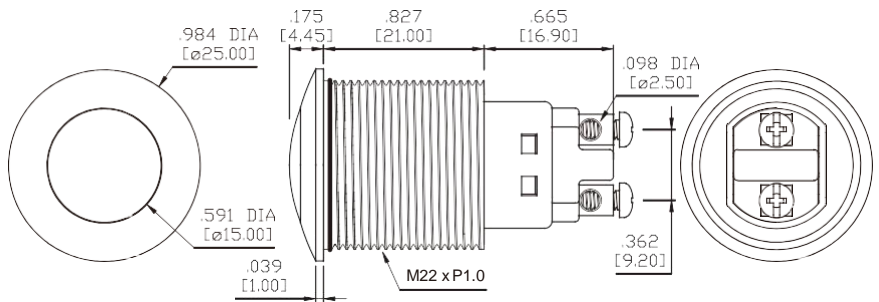
MATERIALS:

BUSHING & BUTTON: See Bushing & Button Option.
 CONTACT: Silver alloy.
 BODY & BASE: Glass filled nylon 6/6 (UL 94V-0)
 TERMINAL: Nickel plated brass.
 NUT: Nickel plated brass.



Model No.	Type	
01	OFF	MOM

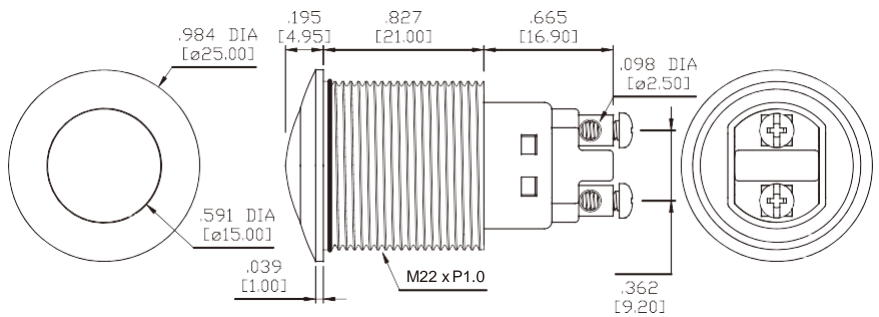
Schematic



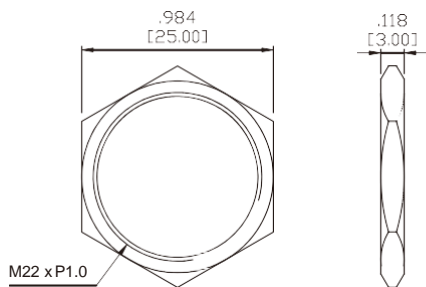
IP65 Front panel protection

Model No.	Type	
01	OFF	MOM

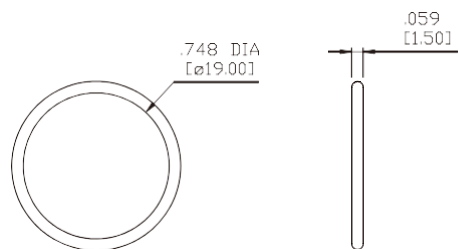
Schematic



NUT



O-RING



Anti-Vandal Pushbutton Switches

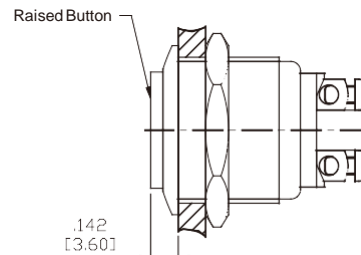
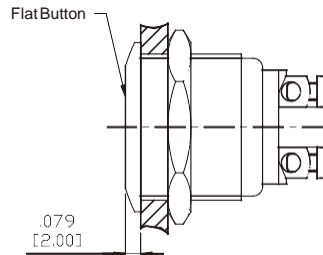
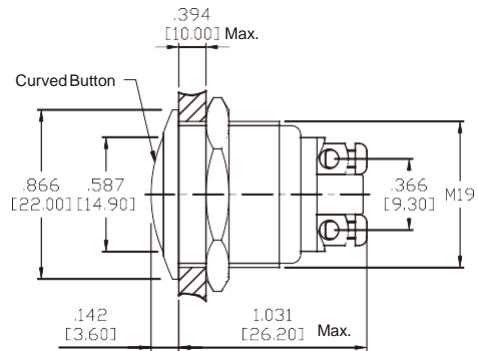
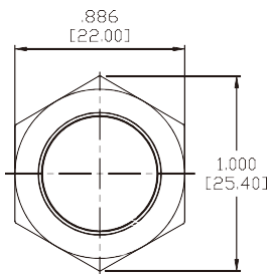
SPECIFICATIONS:

BUSHING: \varnothing 19mm, 16mm, 12mm
 CONTACT RATING: 2A @ 36VDC.
 ELECTRICAL LIFE: 200,000cycles at full load.
 CONTACT RESISTANCE: 50m-ohms max. initial @2-4VDC.
 INSULATION RESISTANCE: 1,000M-ohms min. @ 500VDC.
 DIELECTRIC STRENGTH: 2,000V RMS 50~60Hz.
 IP CLASS: IP65 protection.
 TORQUE: 5~14Nm max. applied to nut.
 OPERATING FORCE: 5.5N max.
 OPERATING TEMPERATURE: -20°C~+55°C.

MATERIALS:

BUSHING: See Bushing Option.
 CONTACT: Silver alloy.
 BASE: PBT.
 NUT: Nickel plated brass.

\varnothing 19mm, Solder Lug



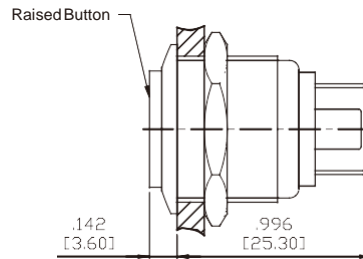
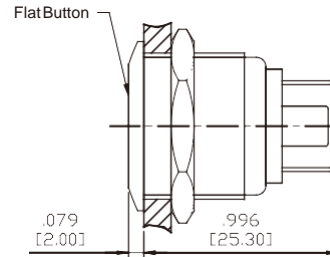
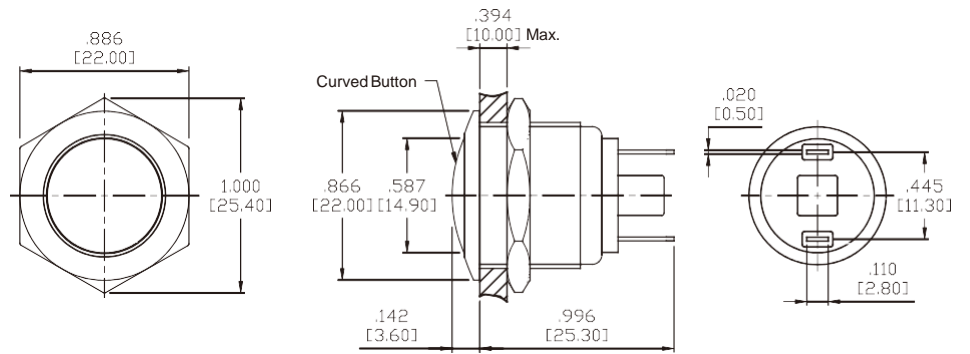
Model No.	SPST Type	
01	OFF	MOM

Schematic



Anti-Vandal Pushbutton Switches

SPST ϕ 19mm, Quick Connect

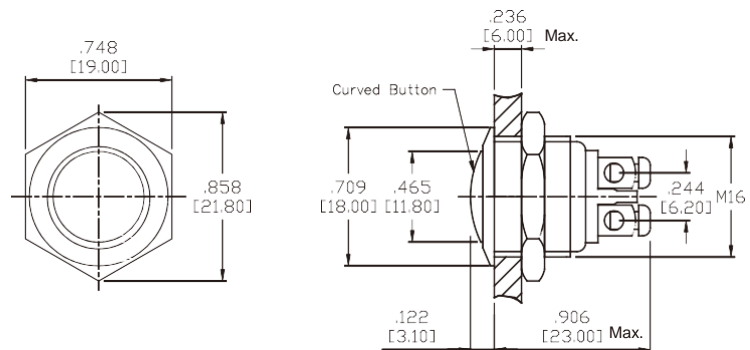


Model No.	SPST Type	
01	OFF	MOM

Schematic

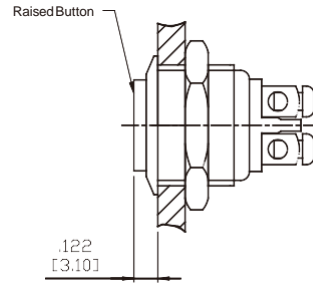
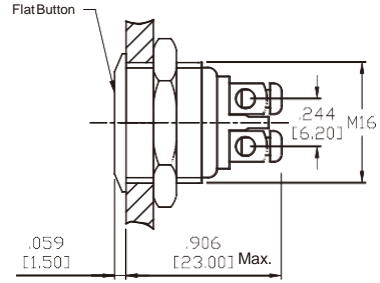
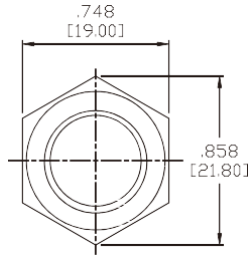


SPST ϕ 16mm, Solder Lug



Anti-Vandal Pushbutton Switches

SPST ϕ 16mm, Solder Lug

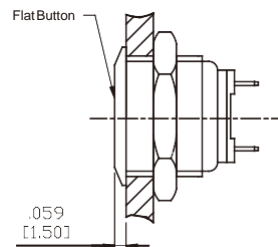
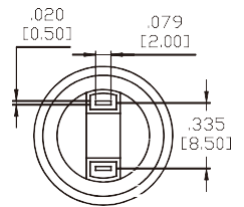
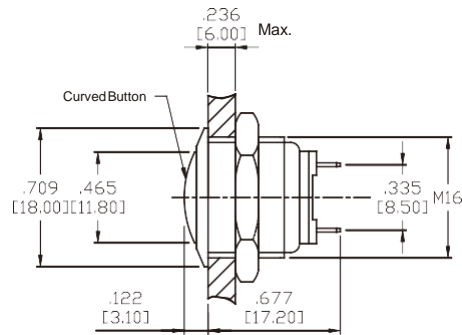
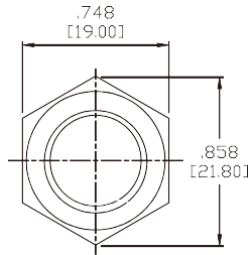


Model No.	SPST Type	
01	OFF	MOM

Schematic



SPST ϕ 16mm, Quick Connect



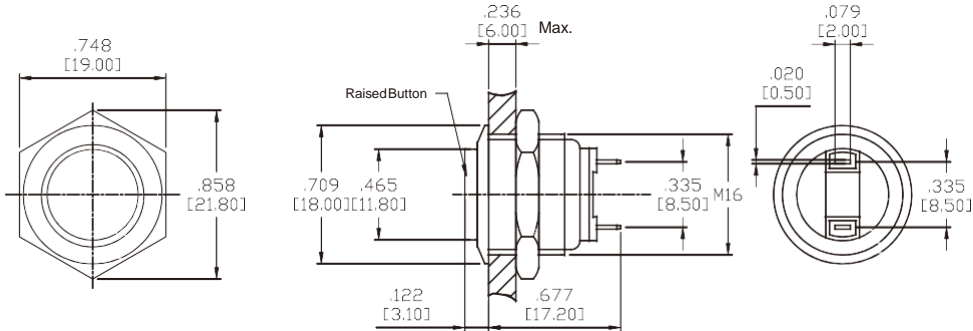
Model No.	SPST Type	
01	OFF	MOM

Schematic



Anti-Vandal Pushbutton Switches

SPST ϕ 16mm, Quick Connect

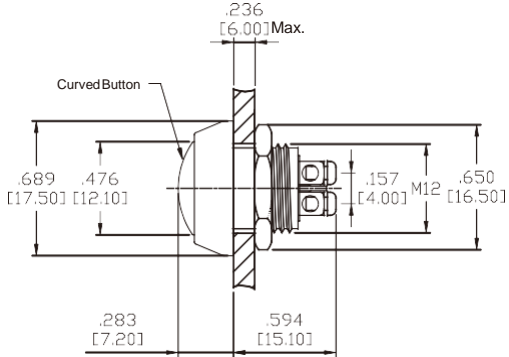
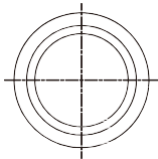


Model No.	SPST Type	
01	OFF	MOM

Schematic



SPST ϕ 12mm, Solder Lug

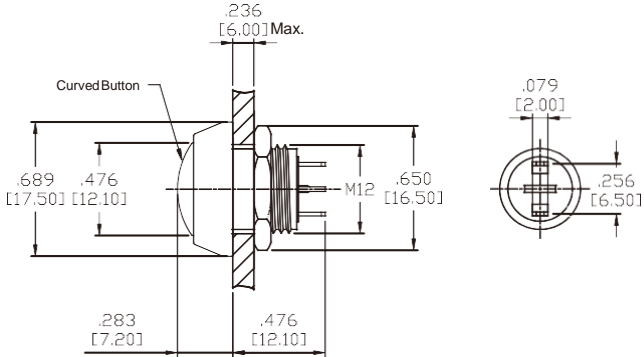
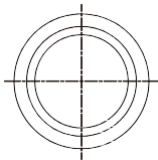


Model No.	SPST Type	
01	OFF	MOM

Schematic



SPST ϕ 12mm, Quick Connect



Model No.	SPST Type	
01	OFF	MOM

Schematic



Anti-Vandal Pushbutton Switches

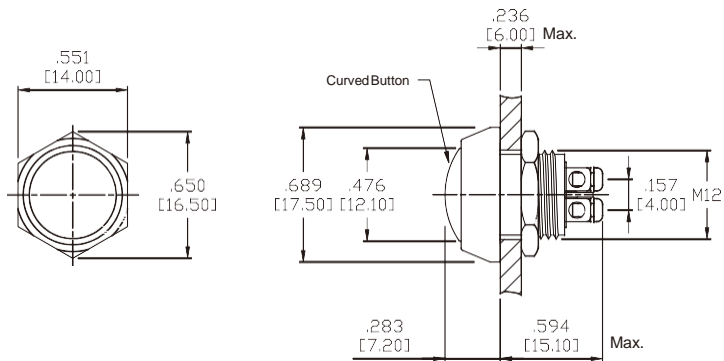
SPECIFICATIONS:

BUSHING: $\phi 12\text{mm}$.
 CONTACT RATING: 2A @ 36VDC.
 ELECTRICAL LIFE: 200,000cycles at full load.
 CONTACT RESISTANCE: 50m-ohms max. initial @2-4VDC.
 INSULATION RESISTANCE: 1,000M-ohms min. @ 500VDC.
 DIELECTRIC STRENGTH: 2,000V RMS 50~60Hz.
 IP CLASS: IP65 protection.
 TORQUE: 5~14Nm max. applied to nut.
 OPERATING FORCE: 5.5N max.
 OPERATING TEMPERATURE: $-20^{\circ}\text{C}\sim+55^{\circ}\text{C}$.

MATERIALS:

BUSHING: Zinc alloy, black nickel plated.
 CONTACT: Silver alloy.
 BUTTON & BASE: PBT.
 NUT: Nickel plated brass.

SPST $\phi 12\text{mm}$, Solder Lug

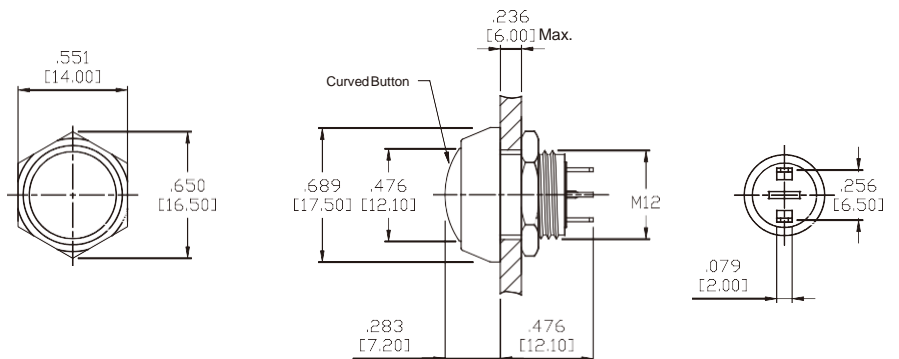


Model No.	SPST Type	
01	OFF	MOM

Schematic



SPST $\phi 12\text{mm}$, Quick Connect



Model No.	SPST Type	
01	OFF	MOM

Schematic



Anti-Vandal Pushbutton Switches

SPECIFICATIONS:

BUSHING: ϕ 19mm, ϕ 16mm.

CONTACT RATING: ϕ 9, 22, 25mm 5A @ 250VAC,
 ϕ 16mm 3A @ 250VAC.

ELECTRICAL LIFE: 50,000cycles at full load.

CONTACT RESISTANCE: 50m-ohms max. initial @ 2-4VDC.

INSULATION RESISTANCE: 1,000M-ohms min. @ 500VDC.

DIELECTRIC STRENGTH: 2,000V RMS 50~60Hz.

IP CLASS: IP65 or IP67 front panel protection.

TORQUE: 5~14Nm max. applied to nut.

OPERATING FORCE: ϕ 25mm-7N max. ϕ 22mm-5.5N max. ϕ 19mm-5N max. ϕ 16mm-4N max.

OPERATING TEMPERATURE: -20°C~+55°C.

MATERIALS:

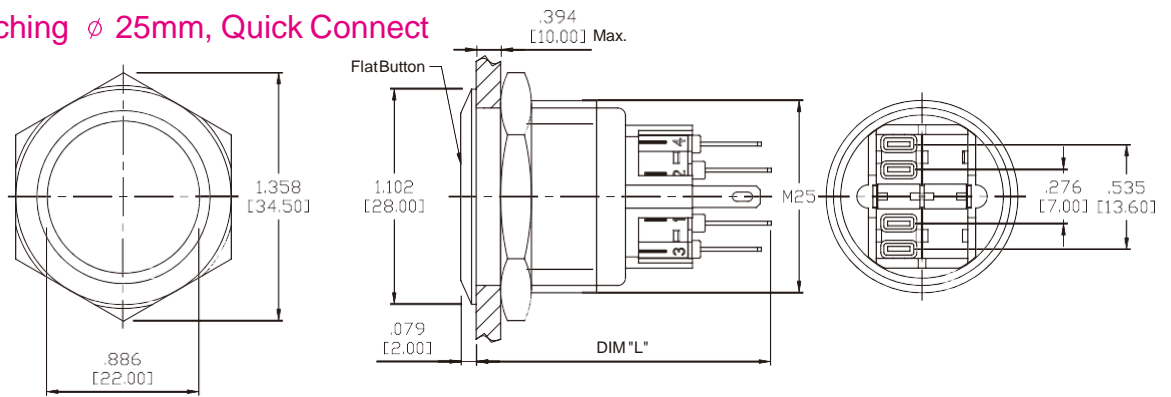
BUSHING: See Bushing Option.

CONTACT: Silver alloy.

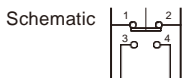
BASE: PBT or PA.

NUT: Nickel plated brass.

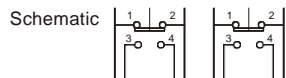
Non-latching & Latching ϕ 25mm, Quick Connect



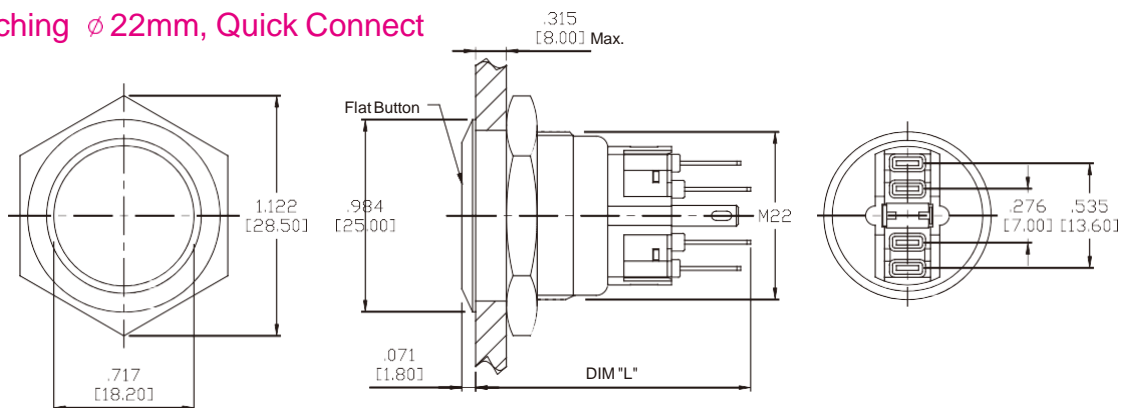
Model No.	SPDT Type	
02	ON	MOM
03	ON	ON



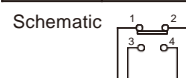
Model No.	DPDT Type	
12	ON	MOM
13	ON	ON



Non-latching & Latching ϕ 22mm, Quick Connect

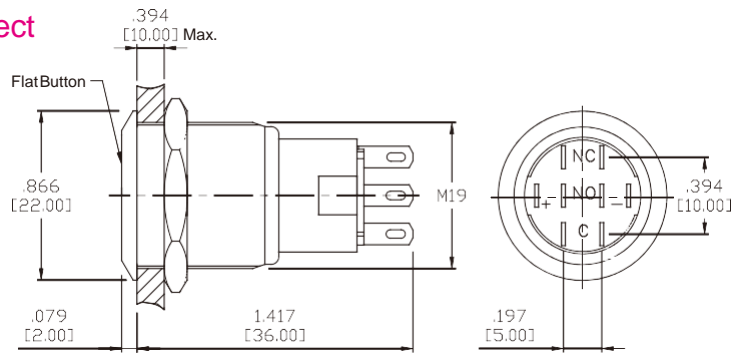
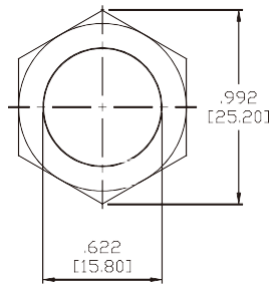


Model No.	SPDT Type	
02	ON	MOM
03	ON	ON



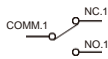
Anti-Vandal Pushbutton Switches

Non-latching & Latching ϕ 19mm, Quick Connect



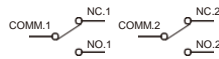
Model No.	SPDT Type	
02	ON	MOM
03	ON	ON

Schematic

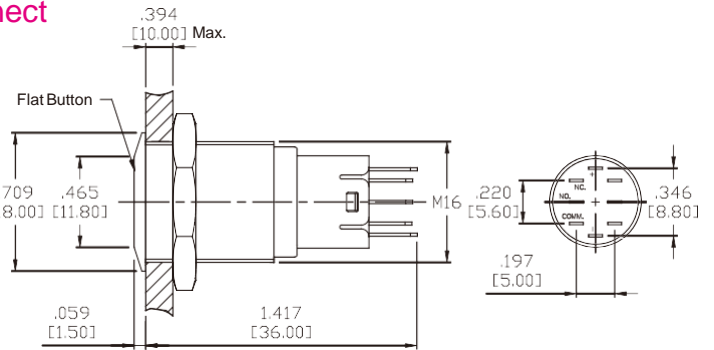
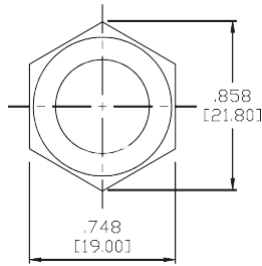


Model No.	DPDT Type	
12	ON	MOM
13	ON	ON

Schematic

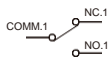


Non-latching & Latching ϕ 16mm, Quick Connect



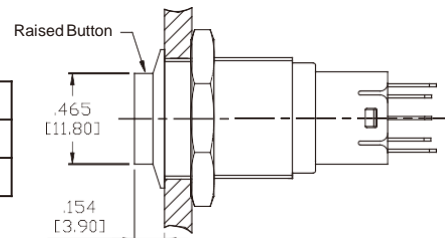
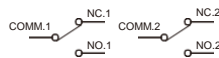
Model No.	SPDT Type	
02	ON	MOM
03	ON	ON

Schematic



Model No.	DPDT Type	
12	ON	MOM
13	ON	ON

Schematic

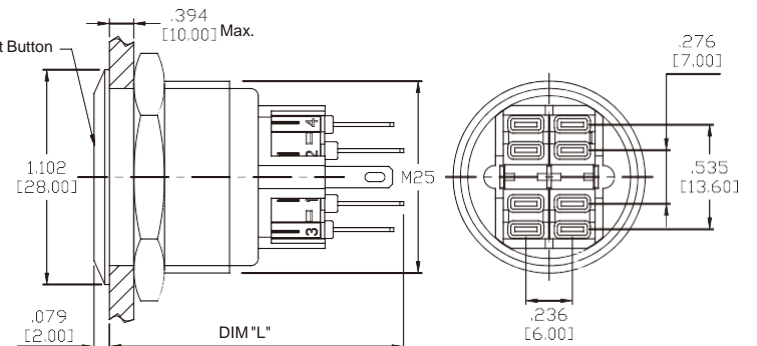
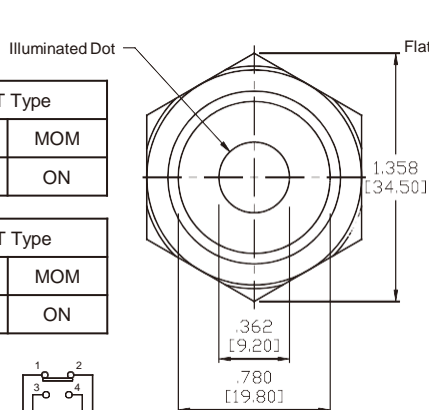
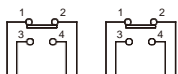


Illuminated Non-Latching & Latching ϕ 25mm, Quick Connect

Model No.	SPDT Type	
02L	ON	MOM
03L	ON	ON

Model No.	DPDT Type	
12L	ON	MOM
13L	ON	ON

Schematic



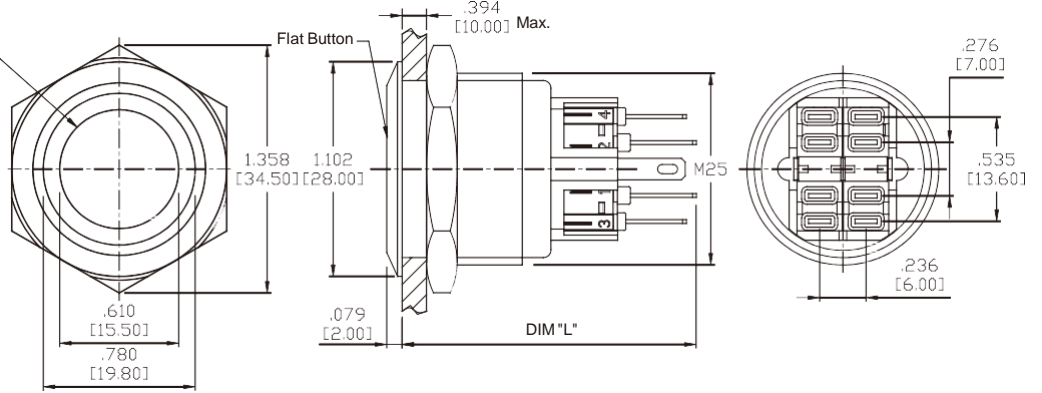
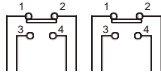
Anti-Vandal Pushbutton Switches

Illuminated Non-Latching & Latching ϕ 25mm, Quick Connect

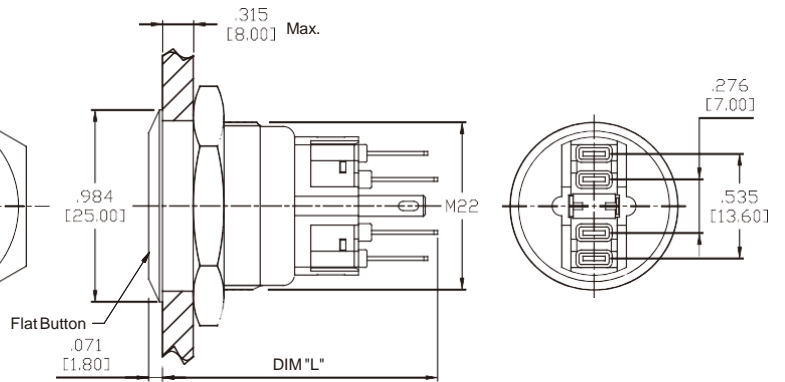
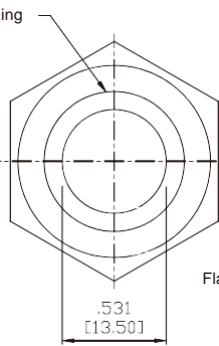
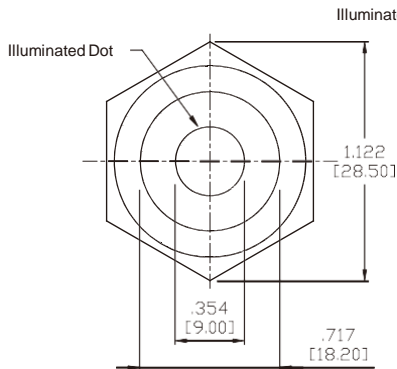
Model No.	SPDT Type	
02L	ON	MOM
03L	ON	ON

Model No.	DPDT Type	
12L	ON	MOM
13L	ON	ON

Schematic



Illuminated Non-Latching & Latching ϕ 22mm, Quick Connect

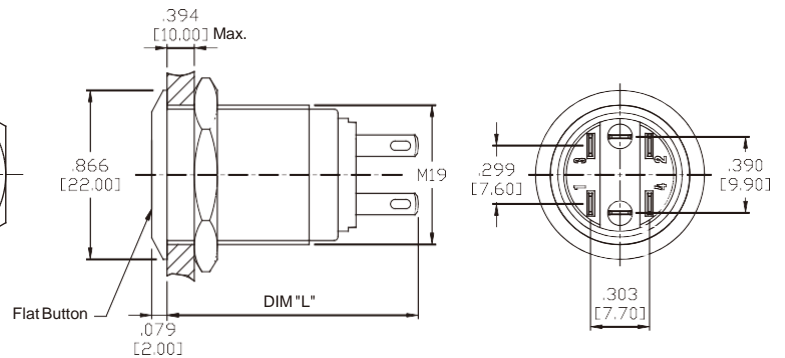
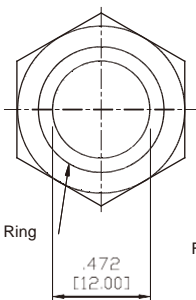
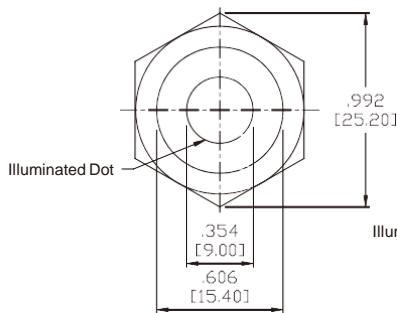


Model No.	SPDT Type	
02L	ON	MOM
03L	ON	ON

Schematic



Illuminated Non-Latching & Latching ϕ 19mm, Quick Connect



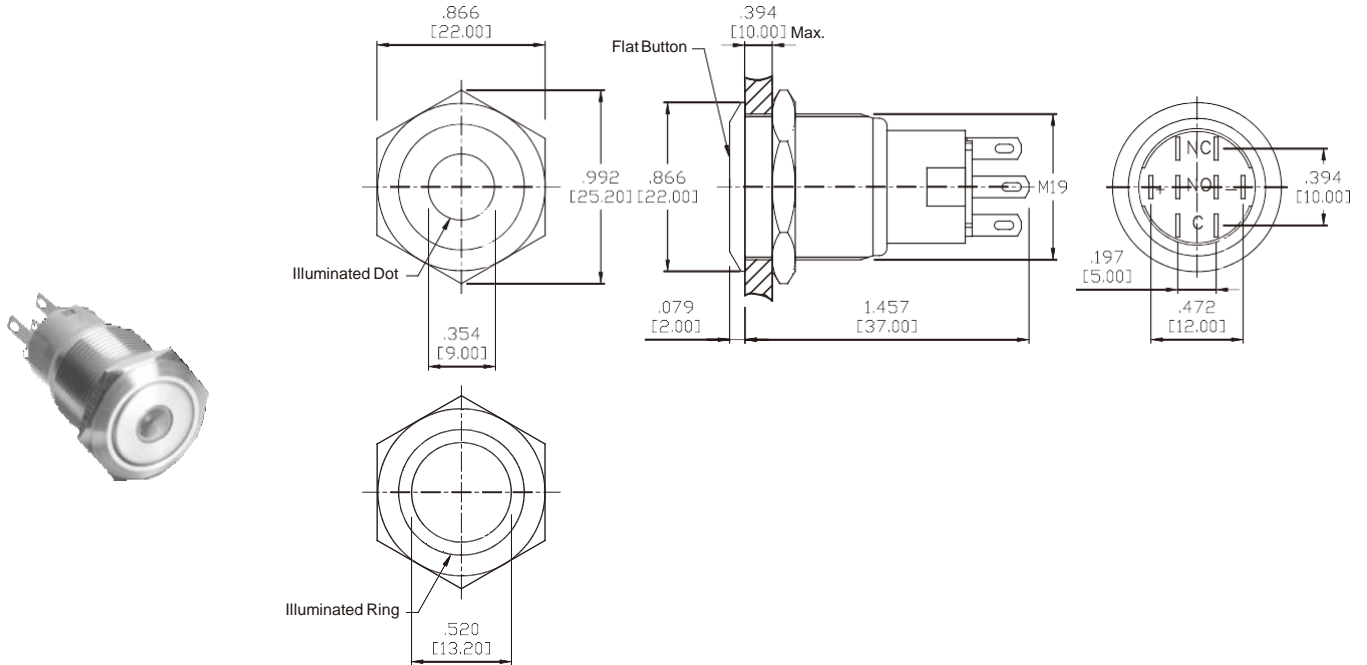
Model No.	SPDT Type	
02L	ON	MOM

Schematic



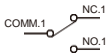
Anti-Vandal Pushbutton Switches

Illuminated Non-Latching & Latching ϕ 19mm, Quick Connect, Long Case



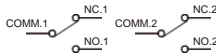
Model No.	SPDT Type	
02L	ON	MOM
03L	ON	ON

Schematic

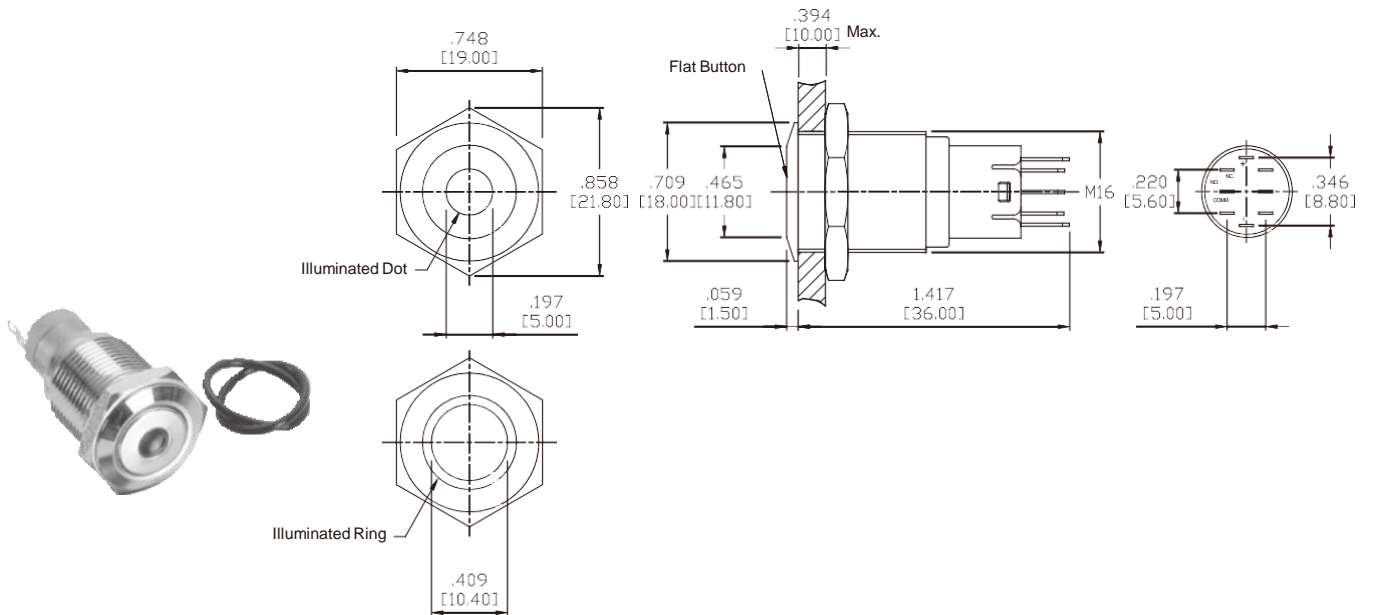


Model No.	DPDT Type	
12L	ON	MOM
13L	ON	ON

Schematic

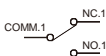


Illuminated Non-Latching ϕ 16mm, Quick Connect



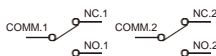
Model No.	SPDT Type	
02L	ON	MOM

Schematic



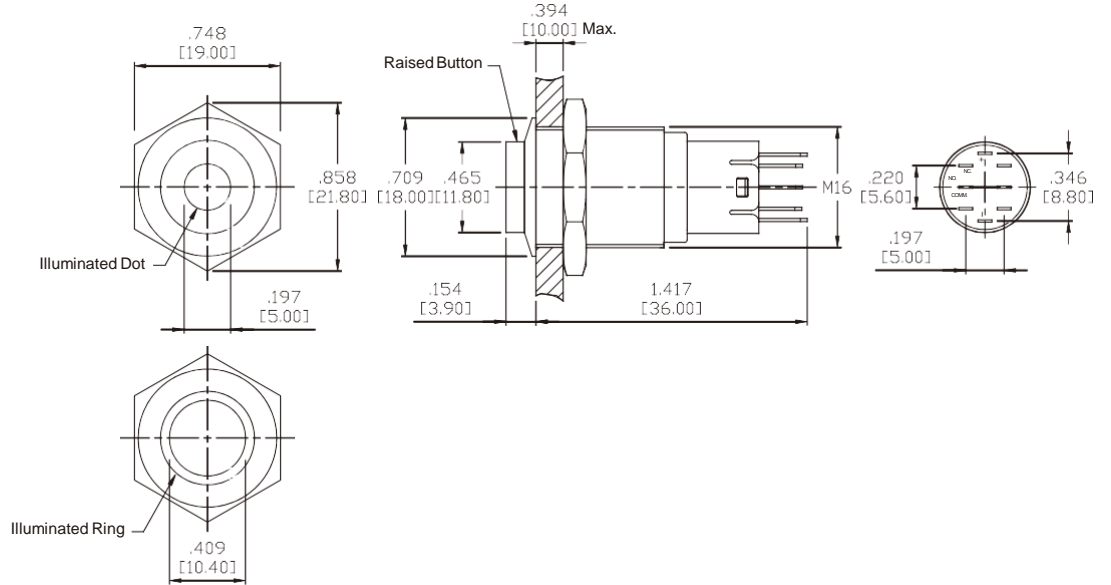
Model No.	DPDT Type	
12L	ON	MOM

Schematic



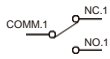
Anti-Vandal Pushbutton Switches

Illuminated Non-Latching ϕ 16mm, Quick Connect



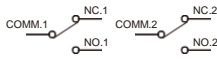
Model No.	SPDT Type	
02L	ON	MOM

Schematic

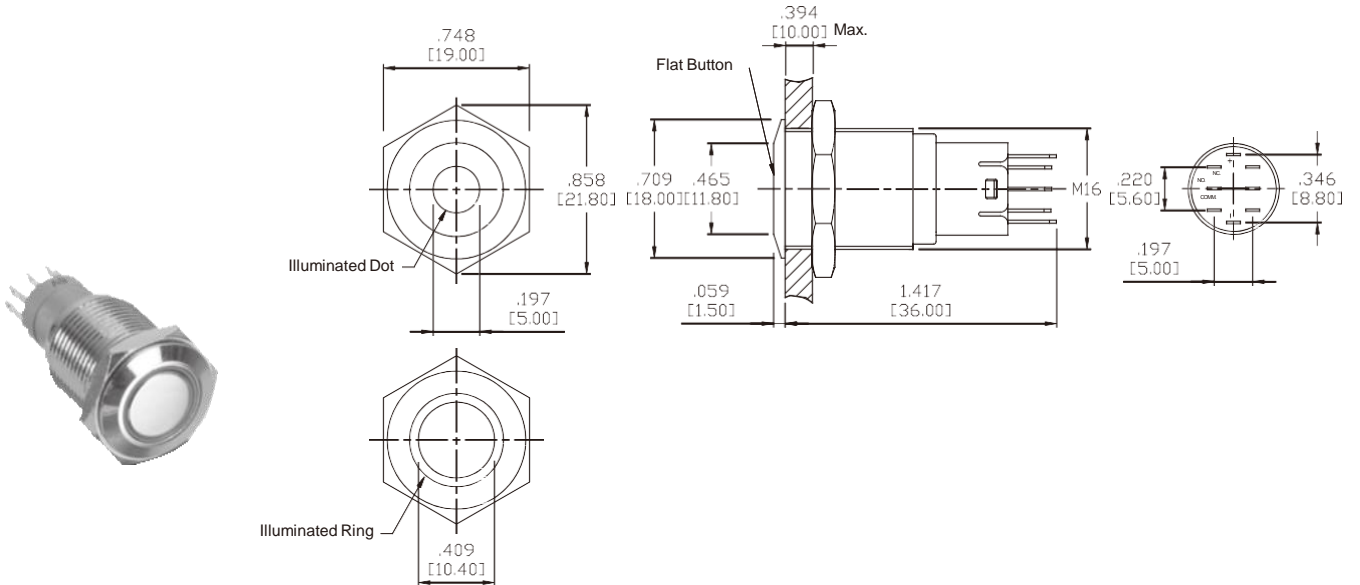


Model No.	DPDT Type	
12L	ON	MOM

Schematic



Illuminated Latching ϕ 16mm, Quick Connect



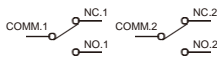
Model No.	SPDT Type	
03L	ON	ON

Schematic



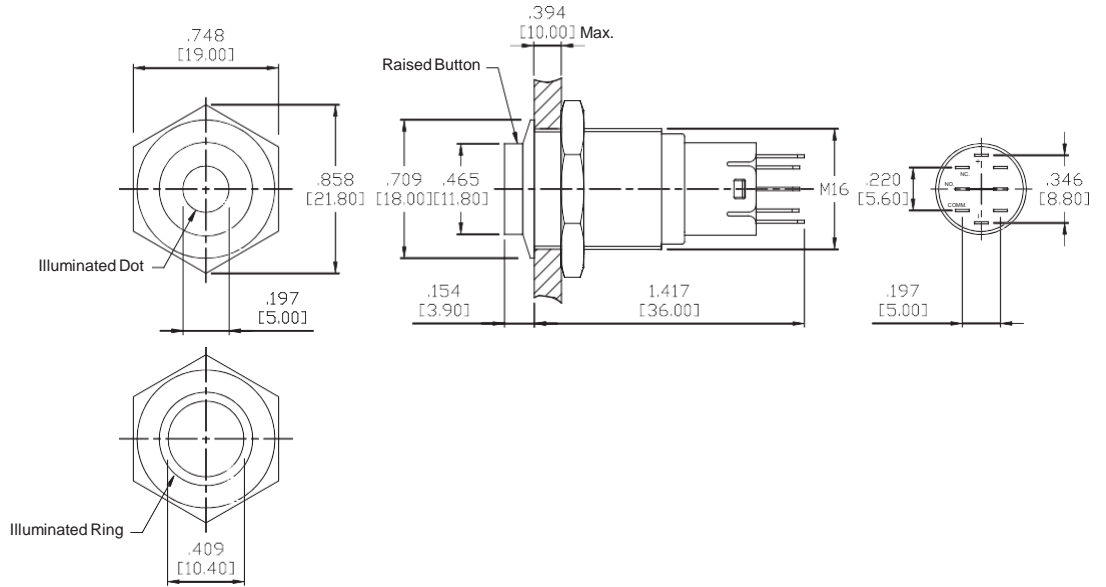
Model No.	DPDT Type	
13L	ON	ON

Schematic



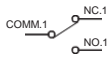
Anti-Vandal Pushbutton Switches

Illuminated Latching $\varnothing 16\text{mm}$, Quick Connect



Model No.	SPDT Type	
03L	ON	ON

Schematic



Model No.	DPDT Type	
13L	ON	ON

Schematic

