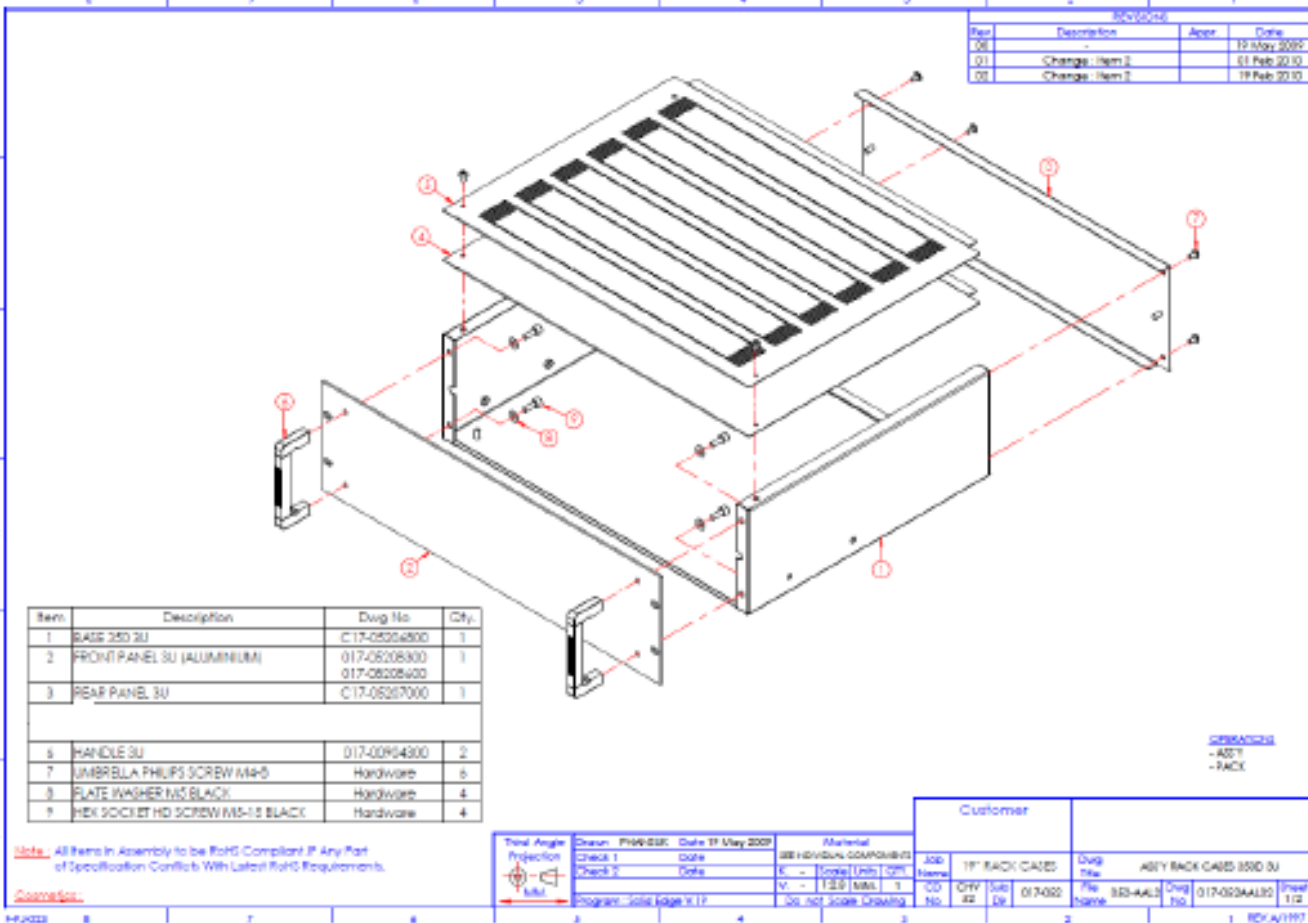


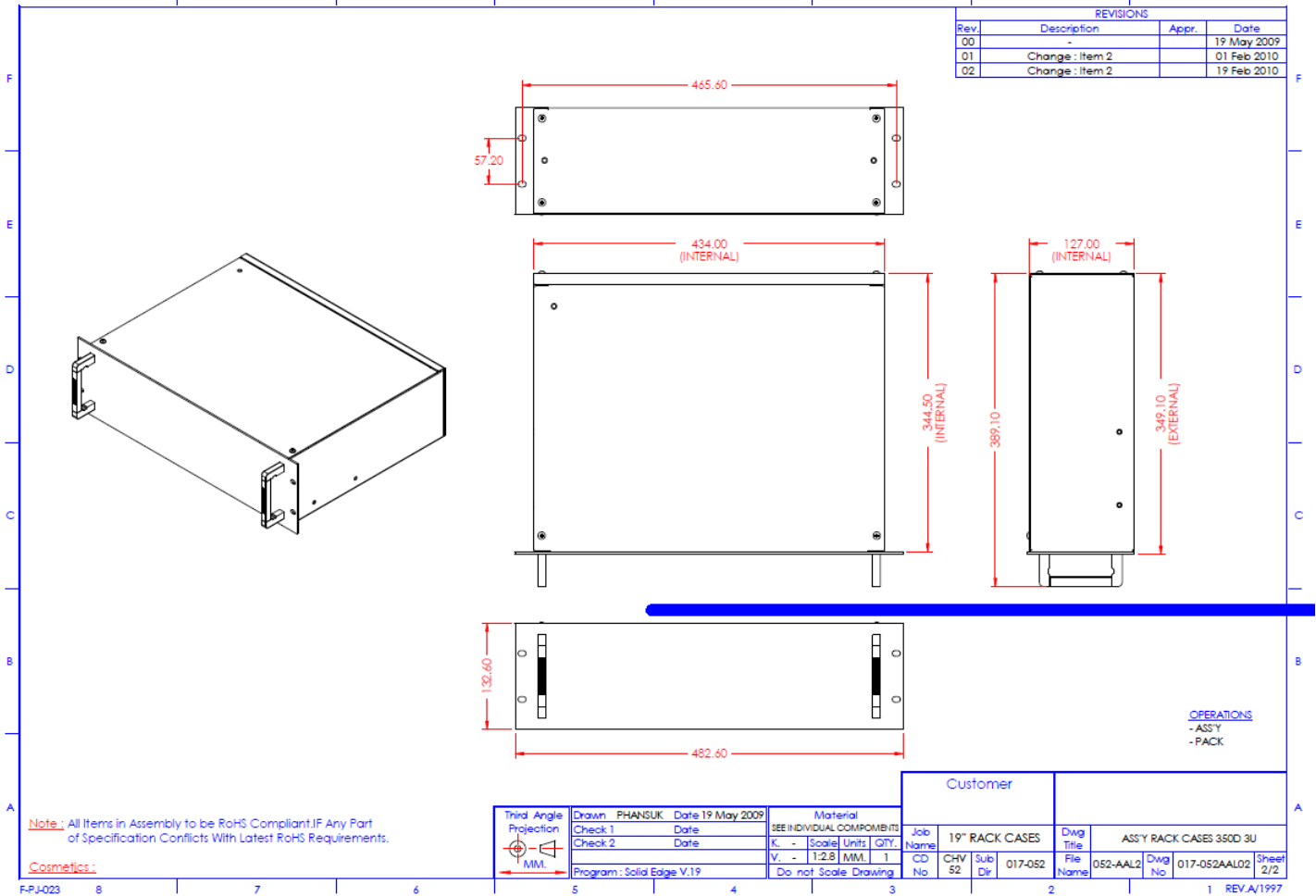


# Datasheet

## Rack Case, 3U, 133 x 483 x 350mm

RS Stock number 665-7674





| REVISIONS |                 |       |             |
|-----------|-----------------|-------|-------------|
| Rev.      | Description     | Appr. | Date        |
| 00        | -               |       | 19 May 2009 |
| 01        | Change : Item 2 |       | 01 Feb 2010 |
| 02        | Change : Item 2 |       | 19 Feb 2010 |

OPERATIONS  
- ASSY  
- PACK

Note: All Items in Assembly to be RoHS Compliant. If Any Part of Specification Conflicts With Latest RoHS Requirements.

Cosmetics:



|                          |                   |                           |
|--------------------------|-------------------|---------------------------|
| Drawn: PHANSUK           | Date: 19 May 2009 | Material                  |
| Check 1                  | Date              | SEE INDIVIDUAL COMPONENTS |
| Check 2                  | Date              | K. - [Scale] Units: QTY   |
| Program: Solid Edge V.19 |                   | V. - 1:2.8 MM. 1          |
|                          |                   | Do not Scale Drawing      |

|          |                |
|----------|----------------|
| Job Name | 19" RACK CASES |
| CD No    | CHV 52         |
| Sub Dir  | 017-052        |

Customer

|           |                         |
|-----------|-------------------------|
| Dwg Title | ASSY RACK CASES 350D 3U |
| File Name | 052-AAL2                |
| Dwg No    | 017-052AAL02            |
| Sheet     | 2/2                     |