

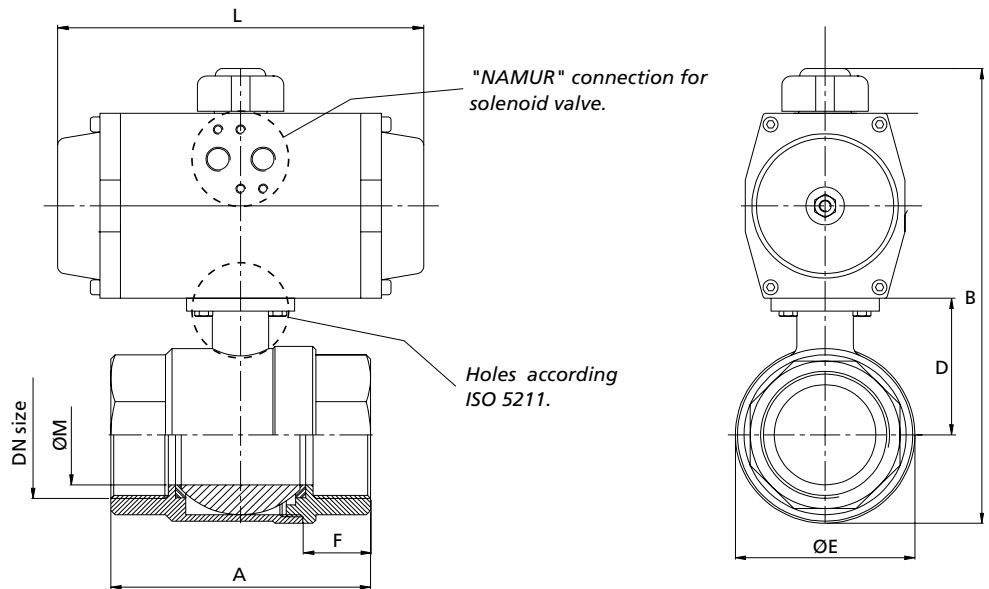
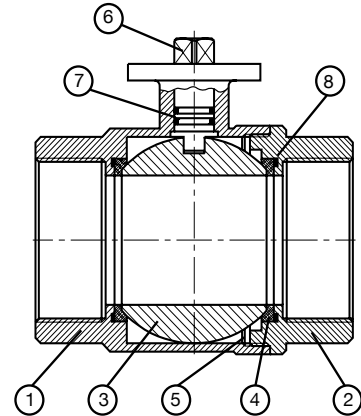
Brass Ball Valve with Pneumatic Actuator – Spring Return

40 BAR Rated



Materials

Description	Material
1 Body	Hot pressed brass
2 End cap	Hot pressed brass
3 Ball	Brass chrome plated
4 Seat ring	P.T.F.E.
5 Body seal	P.T.F.E.
6 Stem	Brass
7 Stem ring	Viton*
8 O-ring	NBR 70



Overall Dimensions - Spring Return

RS Part No.	Dia mm	Size ins.	Model	A	B	D	ØE	F	L	ØM
7605598	8	1/4"	AP1 - SR	65	137	29	32	17	137	11.5
7605592	10	3/8"	AP1 - SR	65	137	29	32	17	137	15
7605602	15	1/2"	AP1 - SR	65	137	29	32	17	137	15
7605605	20	3/4"	AP1 - SR	75	144	32	40	19	137	20
7605609	25	1"	AP1 - SR	86	167	36	47	21	137	25
7605618	32	1 1/4"	AP2 - SR	95	177	41	57	22	190	32
7605611	40	1 1/2"	AP3 - SR	101	216	57	69	22	204	38
7605615	50	2"	AP3 - SR	120	230	64	82	25	204	47