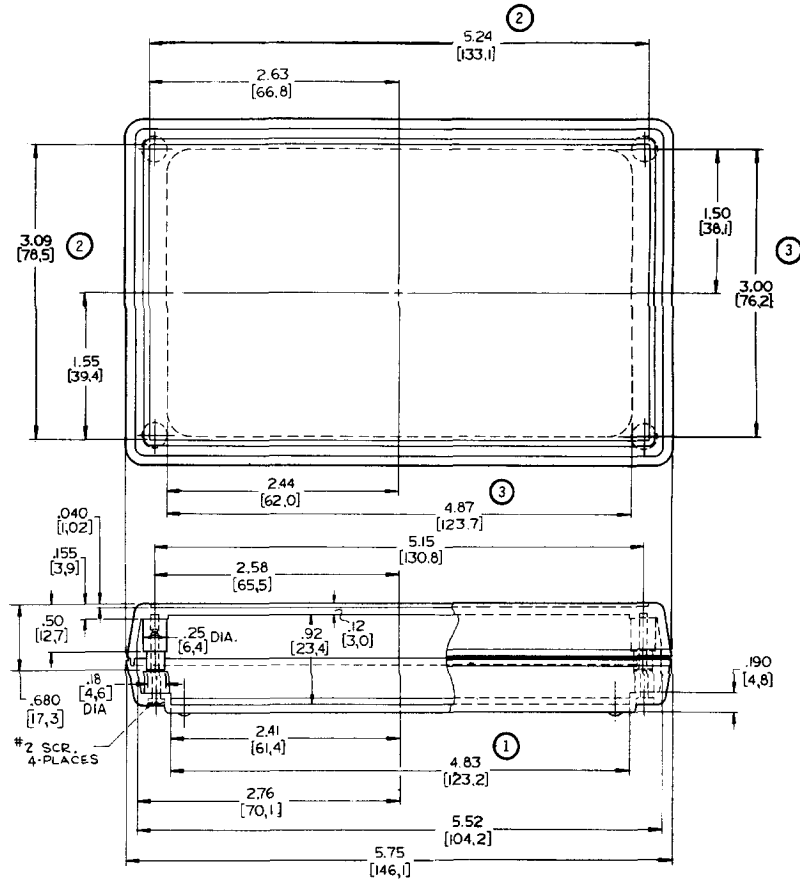
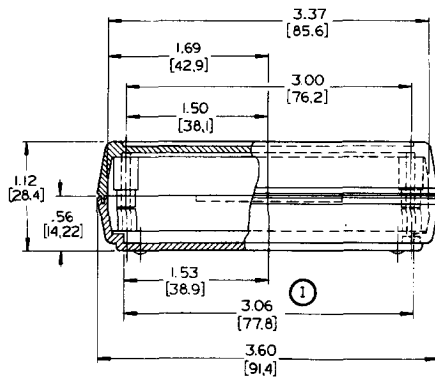




- ① BOTTOM COVER MODIFICATION AREA
- ② T&P COVER OUTSIDE MODIFICATION AREA
- ③ TOP COVER INSIDE MODIFICATION AREA



HP STANDARD USERS INFORMATION DWG. 60278