

FEATURES

- **Stainless steel - superior corrosion resistance**
- **Pressure Rating WOG: 68 bar**
- **Ball and Stem - AISI 316 Stainless Steel**
- **Handle Washer-Bolt Material - ASTM A36**
- **Operating Temperature Range: -15 C to 232 C**

RS PRO Stainless Steel High Pressure Ball Valve 1/4 in BSPP 3 Way

RS Stock No.: 499-1865



RS Professionally Approved Products bring to you professional quality parts across all product categories. Our product range has been tested by engineers and provides a comparable quality to the leading brands without paying a premium price.

Product Description

RS PRO range of stainless steel L and T port ball valves which are used for controlling flow and are an excellent choice for shut-off applications. These ball valves are durable and perform well even after long periods of time.

RS PRO stainless steel screwed end ball valves for the control of flow and are available in a variety of sizes and types.

499-1865 - L port ball valve, 1/4-inch BSP F

499-1871 - L port ball valve, 3/8-inch BSP F

499-1887 - L port ball valve, 1/2-inch BSP F

499-1893 - L port ball valve, 3/4-inch BSP F

499-1938 - T port ball valve, 3/8-inch BSP F

499-1944 - T port ball valve, 1/2-inch BSP F

499-1950 - T port ball valve, 3/4-inch BSP F

499-1966 - T port ball valve, 1-inch BSP F

General Specifications

Threaded Connection	1/4 in BSPP
Attachment Type	Threaded
Body Material	Stainless Steel
Thread Size	1/4in
Safe For Use With	Gas, Oil, Water
Ball Material	Stainless Steel
Thread Standard	BSPP
Handle Material	Stainless Steel
Type	3 Way
Application	Heating systems; Water treatment; Liquid flow control

Mechanical Specifications

Connection Size	8mm
------------------------	-----

Operation Environment Specifications

Working Temperature	-15°C to 232°C
Maximum Working Pressure	68 bar

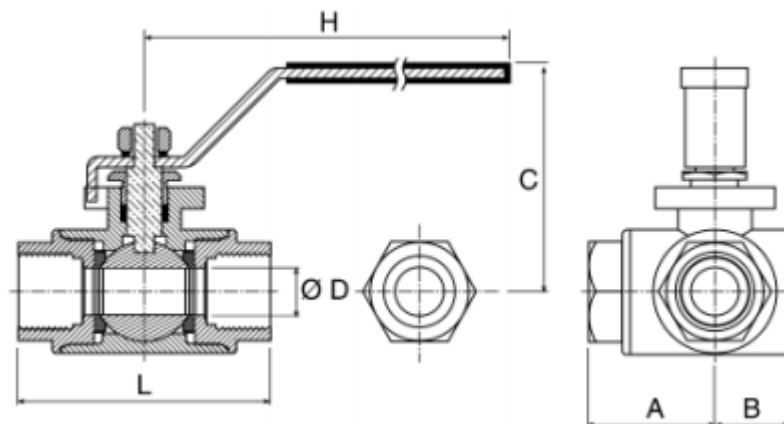
Approvals

Compliance/Certifications	ISO-5211
---------------------------	----------





Operating Temperature Range	to +232°C
Pressure Rating WOG	68 bar
Ball and Stem	AISI 316 Stainless Steel
Gland Nut, Handle, Stop-bolt and Lock Plate	AISI 304 Stainless Steel
Body Seal, Seal, Thrust Washer and Stem Pack Material	PTFE
Handle Washer-Bolt Material	ASTM A36



Port Type	1	2	3	4
L				
T				