



ENGLISH

Datasheet

RS Pro Round Speaker Driver, 2W nom, 8Ω

RS Stock No: **628-4737**



Product Details

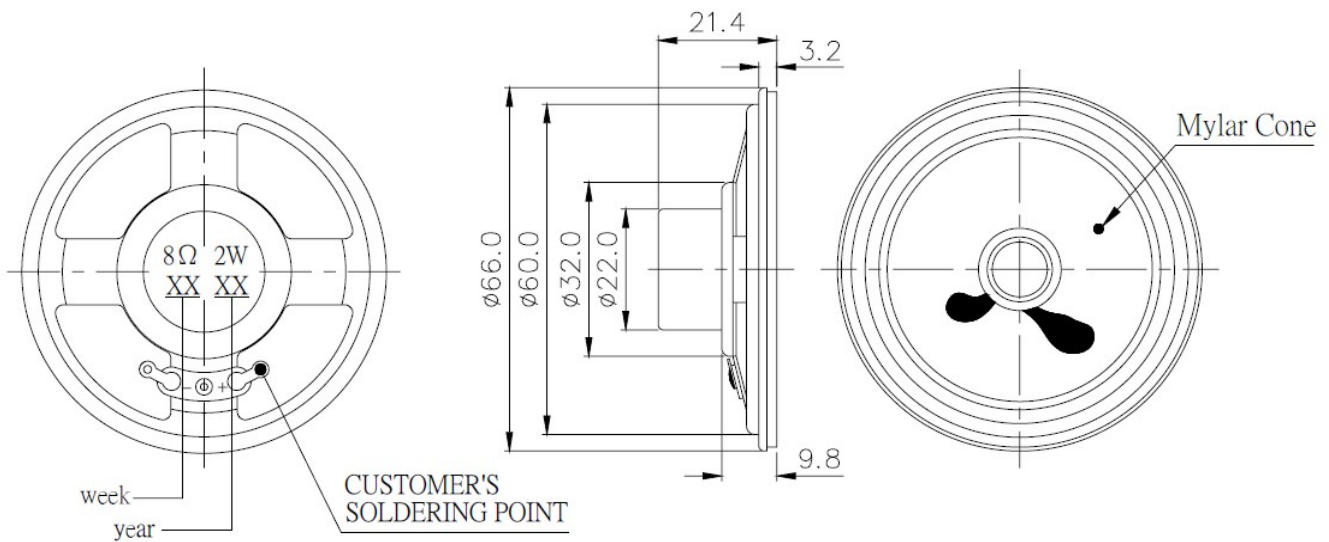
RS Pro round speaker driver has a nominal rated power of 2 W and an impedance of 8 Ω. It has a weatherproof transparent cone and the cone is made from PET film.

Features and Benefits

- Weatherproof transparent cone
- Cones made from PET film
- Driver shape round

Specifications:

| | |
|---------------------|---------------------|
| Cone/Dome Material | PET |
| Driver Shape | Round |
| Impedance | 8 Ω |
| Diameter | 66 mm |
| Nominal Rated Power | 2 W |
| Speaker Driver Size | 8 cm (3 in) & Under |



Tol: ± 0.5
Unit : mm