

PATLITE® LR4 40mm LED Signal Towers

Features

- Prism-cut lens design for enhanced visibility from any direction
- Optional alarm module with selectable sound patterns
- Adjustable volume with a maximum of 85dB (at 1m)
- Direct or pole mount installation
- Color-coordinated wiring corresponding to the lens color for quick wiring and verification
- Interchangeable LED modules require no re-wiring, even after installation
- Main body is constructed of superior impact and heat-resistant polycarbonate resin
- Lens is made of superior impact-resistant and light-translucent polycarbonate resin
- Conforms to the CE requirements
- UL Recognized Components (File No. E215660)
- NEMA Type 4X/13



LR4 40mm LED Signal Towers Selection

Part Number	Price	Drawing Link	Modules		Function	Wiring	Mounting
			#	LED			
LR4-202LJBW-RG	\$116.00	PDF	2	red, green	Continuous, flashing, or alarm	1000mm pigtail	300mm pole mount with L bracket
LR4-2M2LJBW-RG	\$160.00	PDF					
LR4-302LJBW-RYG	\$134.00	PDF	3	red, amber, green			
LR4-3M2LJBW-RYG	\$174.00	PDF					
LR4-402LJBW-RYGB	\$155.00	PDF	4	red, amber, green, blue			
LR4-4M2LJBW-RYGB	\$202.00	PDF					
LR4-202LJNW-RG	\$77.00	PDF	2	red, green	Continuous only	1300mm pigtail	Direct mount
LR4-2M2LJNW-RG	\$123.00	PDF					
LR4-302LJNW-RYG	\$98.00	PDF	3	red, amber, green			
LR4-3M2LJNW-RYG	\$140.00	PDF					
LR4-402LJNW-RYGB	\$123.00	PDF	4	red, amber, green, blue			
LR4-4M2LJNW-RYGB	\$164.00	PDF					
LR4-202WJNW-RG	\$67.00	PDF	2	red, green	Continuous only	1300mm pigtail	Direct mount
LR4-2M2WJNW-RG	\$102.00	PDF					
LR4-302WJNW-RYG	\$82.00	PDF	3	red, amber, green			
LR4-3M2WJNW-RYG	\$122.00	PDF					
LR4-402WJNW-RYGB	\$109.00	PDF	4	red, amber, green, blue			
LR4-4M2WJNW-RYGB	\$155.00	PDF					
LR4-202WJBW-RG	\$98.00	PDF	2	red, green	Continuous, flashing, or alarm	1300mm pigtail	Direct mount
LR4-2M2WJBW-RG	\$140.00	PDF					
LR4-302WJBW-RYG	\$119.00	PDF	3	red, amber, green			
LR4-3M2WJBW-RYG	\$160.00	PDF					
LR4-402WJBW-RYGB	\$140.00	PDF	4	red, amber, green, blue			
LR4-4M2WJBW-RYGB	\$174.00	PDF					

Note: Please see the accessories section of this section for optional and/or replacement components.

PATLITE® LR4 40mm LED Signal Towers

Specifications

LR4 40mm LED Signal Towers Technical Specifications					
# of Tiers	Part Number	Rated Voltage	Operating Voltage	Power Consumption (per module)	Weight g [oz]
2	LR4-202LJBW-RG	24VDC	±10%	Typical: 1W Maximum: 1.3W	495 [17.5]
	LR4-202LJNW-RG				460 [16.2]
	LR4-202WJNW-RG				170 [6.0]
	LR4-202WJBW-RG				205 [7.2]
	LR4-2M2LJBW-RG	100-240 VAC	90-250 VAC	Typical: 1.5W Maximum: 1.8W	575 [20.3]
	LR4-2M2LJNW-RG				540 [19.0]
	LR4-2M2WJNW-RG				250 [8.8]
LR4-2M2WJBW-RG				285 [10.1]	
3	LR4-302LJBW-RYG	24VDC	±10%	Typical: 1W Maximum: 1.3W	495 [17.5]
	LR4-302LJNW-RYG				460 [16.2]
	LR4-302WJNW-RYG				170 [6.0]
	LR4-302WJBW-RYG				205 [7.2]
	LR4-3M2LJBW-RYG	100-240 VAC	90-250 VAC	Typical: 1.5W Maximum: 1.8W	575 [20.3]
	LR4-3M2LJNW-RYG				540 [19.0]
	LR4-3M2WJNW-RYG				250 [8.8]
LR4-3M2WJBW-RYG				285 [10.1]	
4	LR4-402LJBW-RYGB	24VDC	±10%	Typical: 1W Maximum: 1.3W	495 [17.5]
	LR4-402LJNW-RYGB				460 [16.2]
	LR4-402WJNW-RYGB				170 [6.0]
	LR4-402WJBW-RYGB				205 [7.2]
	LR4-4M2LJBW-RYGB	100-240 VAC	90-250 VAC	Typical: 1.5W Maximum: 1.8W	575 [20.3]
	LR4-4M2LJNW-RYGB				540 [19.0]
	LR4-4M2WJNW-RYGB				250 [8.8]
LR4-4M2WJBW-RYGB				285 [10.1]	
Signal wire current (Rated Current Consumption)	Typical	40mA			
	Max	45mA			
Wire sizes	AC: Signal wire 24AWG, power supply 18AWG DC: Signal wire 24AWG, power supply 24AWG				
Buzzer current/sound (FB models)	Typical current 40mA, max current 300mA / sound level 85dB at 1000-4032 Hz (dependent on setting)				
Flashing	60±2 flashes per minute				
Operating ambient temperature	-20°C to +50°C [-4°F to +122°F]				
Operating ambient humidity	Less than 90% (no condensation)				
Vibration resistance	20 m/s ² @ 30Hz				
Insulation resistance	More than 1MΩ at 500VDC between live part and non-current carrying metallic part				
Withstand voltage	LR4: 500VAC applied for 1 min between live part and non-current carrying metallic part LR4-M2: 1500VAC applied for 1 min between live part and non-current carrying metallic part				
Ingress protection rating	IP54 for pole-mounted models; IP65 for direct mount; and NEMA type 4x and 13 for both				
Conformity standards *	UL 508, CSA-C22.2 No.14, RoHS Directive (EN 50581)				

* To obtain the most current agency approval information, see the Agency Approval Checklist section on the specific part number's web page.

PATLITE® LR4 40mm LED Signal Towers

Tower Modules

Modules for LR4 Tower Lights**					
Part Number	Price	Drawing Link	Description	Luminosity mcd	Weight g [oz]
LR4-E-R	\$19.00	PDF	Red LED module with red lens	2290	35 [1.23]
LR4-E-Y	\$19.00	PDF	Amber LED module with amber lens	5250	
LR4-E-G	\$23.00	PDF	Green LED module with green lens	5430	
LR4-E-B	\$23.00	PDF	Blue LED module with blue lens	1840	
LR4-E-C	\$23.00	PDF	White LED module with clear lens	8230	
LR4-E-RZ	\$21.00	PDF	Red LED module with clear lens	2290	
LR4-E-YZ	\$21.00	PDF	Amber LED module with clear lens	5250	
LR4-E-GZ	\$25.00	PDF	Green LED module with clear lens	5430	
LR4-E-BZ	\$25.00	PDF	Blue LED module with clear lens	1840	
LR4-BW	\$26.50	PDF	40mm Buzzer module*, Off-white	8230	

* 85db at 1m, 4 selectable tones

** LR4 tower light modules are not compatible with LCE series lights.



[LR4-E-R](#)

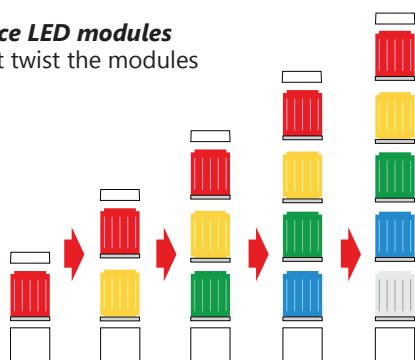


[LR4-E-xZ](#)



[LR4-BW](#)

Easily add or replace LED modules
No tool needed, just twist the modules together.



Interchangeable LED Modules
Color sequence is changeable by adding or removing up to 5 color modules even after installation.

NOTE: LED modules of the same color within a signal tower will light up simultaneously.

Wiring does not change
The LED module colors correspond to the wiring, so re-wiring is not necessary.



PATLITE® LR4 40mm LED Signal Towers

Accessories

Accessories for LR4 Signal Towers*			
Part Number	Price	Drawing Link	Description
B22210159-7F1	\$16.50	PDF	Pole adapter, 40mm diameter. Head tapping screws, O-ring, and waterproof O-ring included. Off-white.
B25110047-F1	\$9.75	N/A	Waterproof o-ring replacement, silicone.
B25110065-F1	\$11.00	N/A	O-ring replacement, nitrile rubber.
B32310070-7F1	\$9.75	N/A	Cap replacement, polycarbonate plastic, off-white.
LR4-02WJNW	\$41.50	PDF	Body unit, 24VDC, 40mm diameter, direct mount. For use with 40mm terminal elements.
LR4-M2WJNW	\$60.00	PDF	Body unit, 100-240 VAC, 40mm diameter, direct mount. For use with 40mm terminal elements.
POLE22-0100AN	\$13.50	PDF	Mounting pole, 22mm diameter, 100mm length. For use with 40mm terminal elements.
POLE22-0100AT	\$16.50	PDF	Threaded mounting pole, 22mm diameter, 100mm length, 22mm thread. For use with 40mm terminal elements.
POLE22-0300AN	\$16.50	PDF	Mounting pole, 22mm diameter, 300mm length. For use with 40mm terminal elements.
POLE22-0300AT	\$21.50	PDF	Threaded mounting pole, 22mm diameter, 300mm length, 22mm thread. For use with 40mm terminal elements.
POLE22-0500AN	\$21.50	PDF	Mounting pole, 22mm diameter, 500mm length. For use with 40mm terminal elements.
POLE22-0500AT	\$27.00	PDF	Threaded mounting pole, 22mm diameter, 500mm length, 22mm thread. For use with 40mm terminal elements.
POLE22-0800AN	\$23.50	PDF	Mounting pole, 22mm diameter, 800mm length. For use with 40mm terminal elements.
POLE22-0800AT	\$31.00	PDF	Threaded mounting pole, 22mm diameter, 800mm length, 22mm thread. For use with 40mm terminal elements.
POLE22-1000AN	\$31.00	PDF	Mounting pole, 22mm diameter, 1000mm length. For use with 40mm terminal elements.
POLE22-1000AT	\$38.00	PDF	Threaded mounting pole, 22mm diameter, 1000mm length, 22mm thread. For use with 40mm terminal elements.
SZK-001U	\$20.50	PDF	Mounting bracket, side mount, aluminum, silver. For use with 40mm terminal elements.

* LR4 tower light accessories are not compatible with LCE series lights.

Continued on next page



[B25110065-F1](#)



[LR4-02WJNW](#)



[POLE22-0300AT](#)



[SZK-001U](#)



[B22210159-7F1](#)



[B32310070-7F1](#)

PATLITE® LR4 40mm LED Signal Towers

Accessories, continued

Accessories for LR4 Signal Towers *			
Part Number	Price	Drawing Link	Description
<u>SZK-002W</u>	\$20.50	<u>PDF</u>	Mounting bracket, side mount, polycarbonate, off-white. For use with LR4 series direct mount.
<u>SZL-001</u>	\$6.75	<u>PDF</u>	L-shaped mounting bracket, side mount, steel, silver. For use with 40mm terminal elements.
<u>SZP-001W</u>	\$20.50	<u>PDF</u>	Mounting bracket, 70mm, flange mount, polycarbonate, off-white.
<u>SZP-002U</u>	\$20.50	<u>PDF</u>	Mounting bracket, 94mm flange mount, aluminum, silver. For use with 40mm terminal elements.
<u>SZP-003W</u>	\$11.00	<u>PDF</u>	Mounting bracket, 60mm, flange mount, polycarbonate, off-white.
<u>SZP-090U</u>	\$34.00	<u>PDF</u>	Threaded pole adapter, 40mm diameter, 1/2" FNPT thread, aluminum, silver. Three (3) steel screw-tapped nuts included.
<u>SZQ-001W</u>	\$16.50	<u>PDF</u>	Foldaway base, polycarbonate, off-white. For use with LR4 series direct mount 40mm terminal elements.



[SZK-002W](#)

* LR4 tower light accessories are not compatible with LCE series lights.



[SZL-001](#)



[SZP-001W](#)



[SZP-002U](#)



[SZP-003W](#)



[SZP-090U](#)

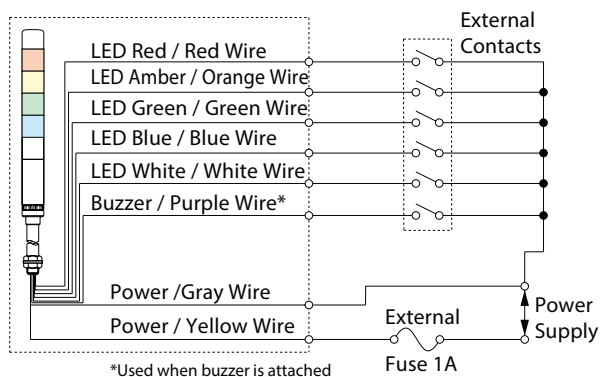


[SZQ-001W](#)

PATLITE® LR4 40mm LED Signal Towers

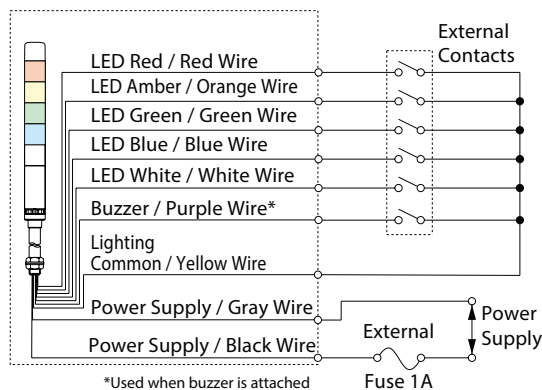
Wiring

24VDC Lighting Type



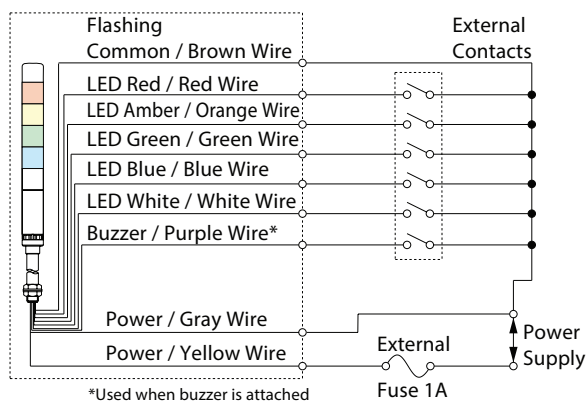
LR4 model non-polar

AC 100 - 240V Lighting Type



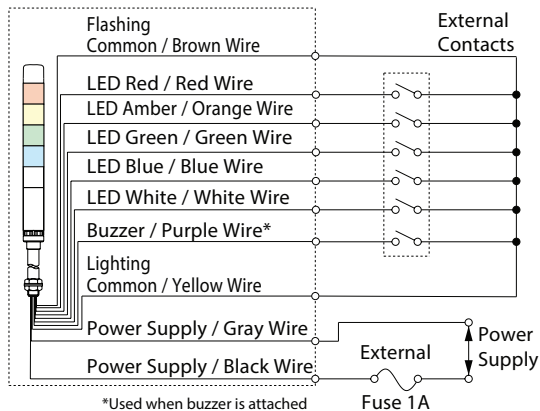
LR4 model non-polar

24VDC Flashing Type



LR4 model non-polar

AC 100 - 240V Flashing Type

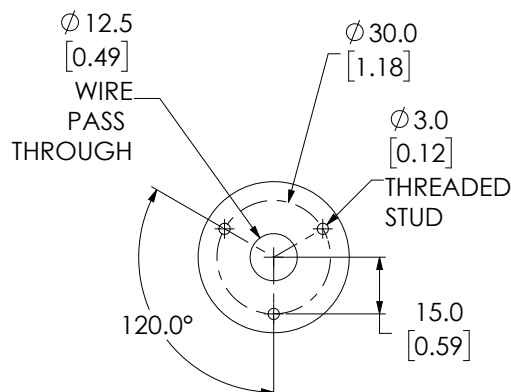


LR4 model non-polar

Lead Wire Color Coordination	
LED Unit Color	Lead Wire Color
Red	Red
Amber	Orange
Green	Green
Blue	Blue
Clear/white	White
Alarm Sounds	Lead Wire Color
Buzzer	Purple

Signal Line Voltage and Current per LED Module					
Model	Rated Voltage	Signal Voltage	LED		
			Signal Line Current	Signal Line Current	Inrush Current
LR4	24V AC/DC	24VDC	40mA	40mA	700mA
LR4-M2	100-240 VAC	24VDC	40mA	40mA	700mA

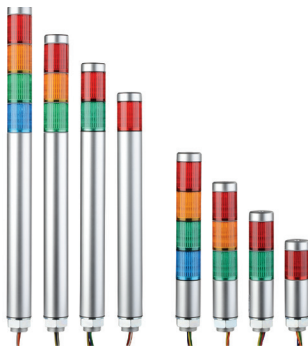
Mounting Pattern



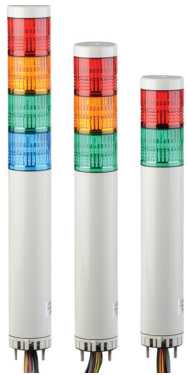
PATLITE® Slim Design LED Signal Towers



MES-A and ME-A 25mm Super Slim Signal Towers
 These rust-free aluminum body signal towers are designed to be direct mounted. LED module lenses are clear and change color when activated. The super slim design is ideal for tight spaces.



MPS and MP 30mm Signal Towers
 These LED towers offer superior impact and heat resistance and have an ABS resin main body. They are designed for direct mounting and have a double insulation for enhanced durability and safety.



LCE and LR4 40mm Signal Towers
 The LCE and LR4 Series both feature low maintenance and energy efficiency using LED technology.



LS7 70mm Signal Towers
 The LS7 Series feature a smooth body surface that reduces adhesion of water and dust. There are no exposed screws, shafts or other metals making these signal towers adaptable in many environments. This model is suitable for high pressure and high temperature wash down environments. An available model with a buzzer has a sound frequency that cuts through loud environments.

Accessories

