

# XACS415

Contact block, Harmony XAC, single contact, spring return, front mounting, 40mm horizontal/30mm Vertical fixing centres, 1NC + 1NO



## Main

Range of product	Harmony XAC
Product or component type	Contact block
Component name	XACS
Electrical circuit type	Control circuit
Contact block type	Single
Type of operator	Spring return
Product compatibility	XACA ZA2B... head
Mechanical interlocking	Without mechanical interlock
Contacts type and composition	1 NC + 1 NO
Mounting of block	Front mounting
Contact operation	Slow-break

## Complementary

Connections - terminals	Screw clamp terminals, 1 x 2.5 mm <sup>2</sup> with or without cable end Screw clamp terminals, 2 x 1.5 mm <sup>2</sup> with or without cable end
Horizontal fixing centres	40 mm
Vertical fixing centres	30 mm
Mechanical durability	1000000 cycles
Contact code designation	A300 AC-15, U <sub>e</sub> = 240 V, I <sub>e</sub> = 3 A conforming to IEC 60947-5-1 appendix A Q300 DC-13, U <sub>e</sub> = 250 V, I <sub>e</sub> = 0.27 A conforming to IEC 60947-5-1 appendix A
[I <sub>the</sub> ] conventional enclosed thermal current	10 A
[U <sub>i</sub> ] rated insulation voltage	500 V (pollution degree 3) conforming to IEC 60947-1
[U <sub>imp</sub> ] rated impulse withstand voltage	6 kV conforming to IEC 60947-1
Maximum resistance across terminals	25 MOhm
Short-circuit protection	10 A fuse protection by cartridge fuse type gG
Rated operational power in W	42 W DC-13 for 1000000 cycles, operating rate <60 cyc/mn at 120 V, load factor = 0.5 (inductive load) conforming to IEC 60947-5-1 appendix C 45 W DC-13 for 1000000 cycles, operating rate <60 cyc/mn at 48 V, load factor = 0.5 (inductive load) conforming to IEC 60947-5-1 appendix C 60 W DC-13 for 1000000 cycles, operating rate <60 cyc/mn at 24 V, load factor = 0.5 (inductive load) conforming to IEC 60947-5-1 appendix C
Rated operational power in VA	140 VA AC-15 for 1000000 cycles, operating rate <60 cyc/mn at 24 V 50/60 Hz, load factor = 0.5 (inductive load) 385 VA AC-15 for 1000000 cycles, operating rate <60 cyc/mn at 48 V 50/60 Hz, load factor = 0.5 (inductive load) 455 VA AC-15 for 1000000 cycles, operating rate <60 cyc/mn at 230 V 50/60 Hz, load factor = 0.5 (inductive load) 525 VA AC-15 for 1000000 cycles, operating rate <60 cyc/mn at 127 V 50/60 Hz, load factor = 0.5 (inductive load)
Terminals description ISO n°1	(23-24)NO (11-12)NC
Terminal identifier	(11-12)NC (13-14)NO
Net weight	0.07 kg

The information provided in this documentation contains general descriptions and/or technical characteristics of the performance of the products contained herein. This documentation is not intended as a substitute for and is not to be used for determining suitability or reliability of these products for specific user applications. It is the duty of any such user or integrator to perform the appropriate and complete risk analysis, evaluation and testing of the products with respect to the relevant specific application or use thereof. Neither Schneider Electric Industries SAS nor any of its affiliates or subsidiaries shall be responsible or liable for misuse of the information contained herein.

## Environment

Standards	CSA C22.2 No 14 IEC 60947-5-1 EN 60947-5-1
Ambient air temperature for operation	-25...70 °C
Ambient air temperature for storage	-40...70 °C
Vibration resistance	15 gn (f= 10...500 Hz) conforming to IEC 60068-2-6
Shock resistance	100 gn conforming to IEC 60068-2-27

## Packing Units

Unit Type of Package 1	PCE
Number of Units in Package 1	1
Package 1 Height	3.8 cm
Package 1 Width	8.6 cm
Package 1 Length	10.5 cm
Package 1 Weight	72 g
Unit Type of Package 2	S01
Number of Units in Package 2	30
Package 2 Height	15 cm
Package 2 Width	15 cm
Package 2 Length	40 cm
Package 2 Weight	2.198 kg

## Offer Sustainability

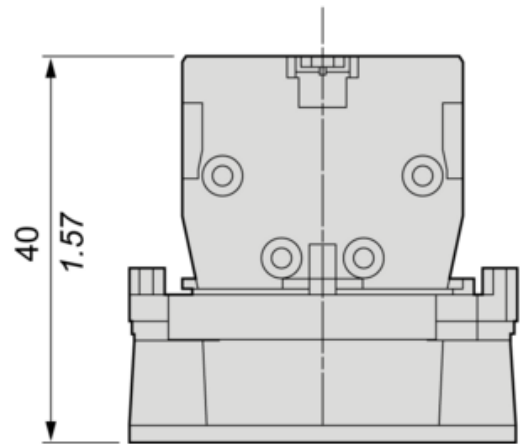
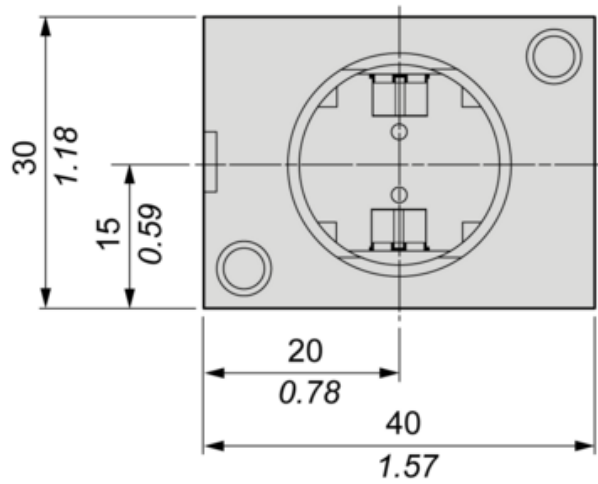
REACH Regulation	<a href="#">REACH Declaration</a>
REACH free of SVHC	Yes
EU RoHS Directive	Pro-active compliance (Product out of EU RoHS legal scope) <a href="#">EU RoHS Declaration</a>
Toxic heavy metal free	Yes
Mercury free	Yes
China RoHS Regulation	<a href="#">China RoHS Declaration</a>
RoHS exemption information	<a href="#">Yes</a>
WEEE	The product must be disposed on European Union markets following specific waste collection and never end up in rubbish bins

## Contractual warranty

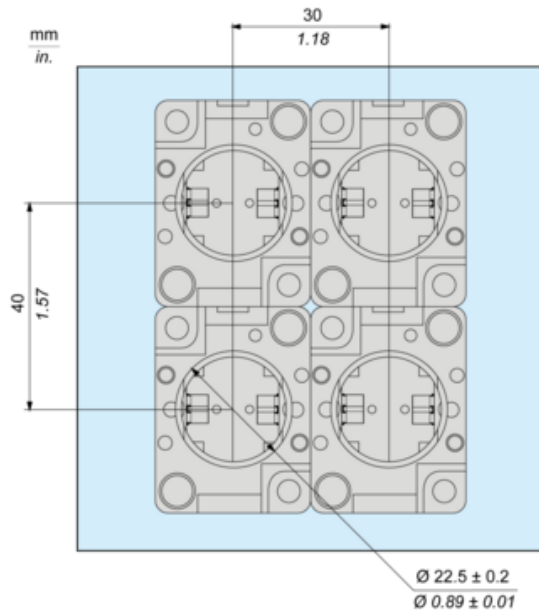
Warranty	18 months
----------	-----------

## Dimensions

mm  
in.



## Mounting



---

## Rated Operational Power

---

### AC Supply 50/60 Hz

Operating rate: 3600 operating cycles/hour. Load factor: 0.5.

Power broken in VA for 1 million operating cycles, AC-15 utilization category

Voltage	V	24	48	127	230
Inductive circuit	W	140	385	525	455

### DC Supply

Operating rate: 3600 operating cycles/hour. Load factor: 0.5.

Power broken in W for 1 million operating cycles, DC-13 utilization category

Voltage	V	24	48	120
Inductive circuit	W	60	45	42