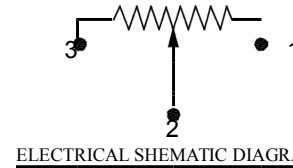
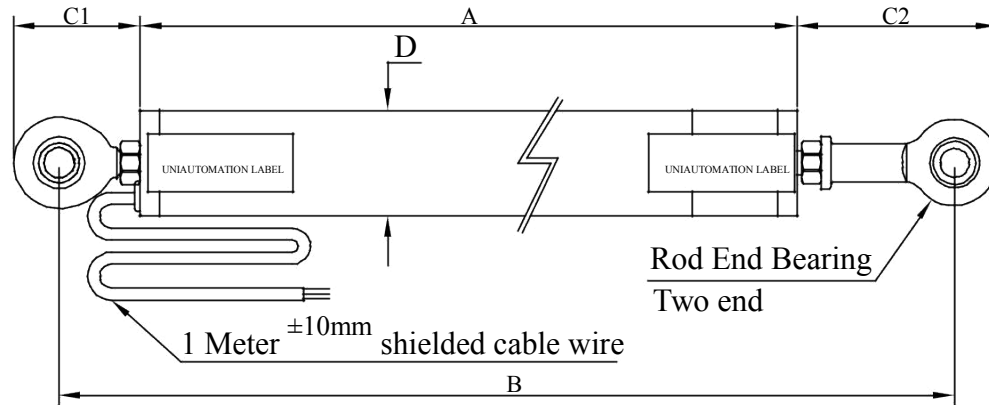


Dimensions :- Metric

DIMENSIONS :- METRIC



ELECTRICAL SHEMATIC DIAGRAM

STANDARD CHART FOR LINEAR POTENTIOMETER WT 22 RESISTANCE VALUE		
Sr.	STROKE	RESISTANCE RANGE
1.0	50 MM	5 KΩ ± 20%
2.0	75 MM	
3.0	100 MM	
4.0	150 MM	10 KΩ ± 20%
5.0	200 MM	
6.0	250 MM	
7.0	300 MM	

PART NUMBER	1730775	1730776	1730777	1730778	1730779	1730780	1730781	
WT 22 series Stroke length	50	75	100	150	200	250	300	Tol.
Electrical stroke length	50	75	100	150	200	250	300	±5.0
Mechanical stroke length	55	80	105	155	205	255	305	±5.0
Body length - A	146	166	166	216	266	316	366	±1.0
REB center to center- B	196	216	216	266	316	366	416	±1.0
Body diameter - D	Dia 22							±0.2
Mounting accessories C1 & C2 Detail page : 2 of 3	Optional : Link ball, One side REB, Mounting Clamp							----
Out put Signals Module (Optional) Details Page: 3 of 3	4-20 mA, 0-10 VDC module, Display unit.							----
Spring return device (Optinal Feature)								

ELECTRICAL CHARACTERISTICS	UNITS	VALUE
RESISTANCE ELEMENT...	--	CONDUCTIVE PLASTIC
RESISTANCE TOLERANCE...	±%	30
STANDARD INDEPENDENT LINEARITY TOLERANCE...	±%	0.5
BEST POSSIBLE LINEARITY TOLERANCE...	±%	0.1
RESOLUTION...	--	ESSENTIALLY INFINITE
TEMPERATURE COEFFICIENT OF RESISTANCE(TCR)...	ppm/deg C	±400
INSULATION RESISTANCE @ 500 VDC...	M Ohms	500
DIELECTRIC STRENGTH @ 50 HZ...	V dc	500
ELECTRICAL LIFE (STROKE)...	STROKES	5,000,000
END VOLTAGE AS A % OF APPLIED VOLTAGE...	%	LESS THAN 0.5

MECHANICAL CHARACTERISTICS :-

BEARING TYPE...	--	SLEEVE
TORQUE STARTING...	Nmm (Oz inch)	10 (1.416)
TORQUE RUNNING...	Nmm (Oz inch)	5 (0.708)

ENVIRONMENTAL CHARACTERISTICS :-

OPERATING TEMPERATURE...	DEGREES C	-40 to +105
ROHS COMPLIANCE...	--	YES

MATERIALS OF CONSTRUCTION:-

HOUSING...	--	ALUMINUM BLACK ANODIZED
SHAFT...	--	STAINLESS STEEL

NOTE :-
CONTINUOUS IMPROVEMENTS ARE BEING MADE FOR ENHANCING PERFORMANCE FOR CUSTOMER BENEFIT IN PRODUCT DESIGN & PROCESS. THE PRODUCT SUPPLIED MAY BE SLIGHTLY DIFFERENT THAN DESCRIBED BY ABOVE SPECIFICATIONS

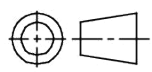


**CONDUCTIVE PLASTIC
LINEAR MOTION POTENTIOMETER**

MODEL WT22 (xxx)

First Issue : 2011/16/06
Tolerances
DIN-ISO 2768-1 (1991-06)
(Tolerance class-medium)

Scale : 1:1
RS Pro PART NO

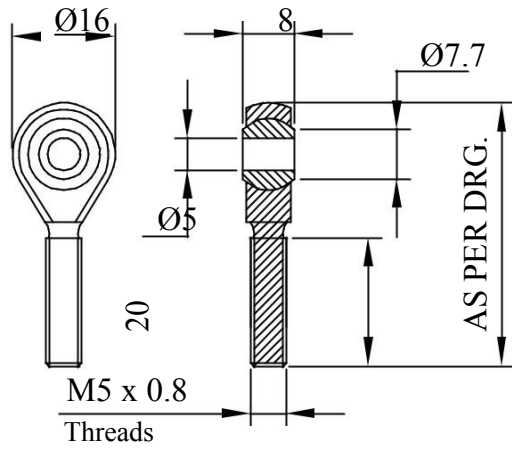


CUSTOMER DRAWING REF NO
NA
REV -00

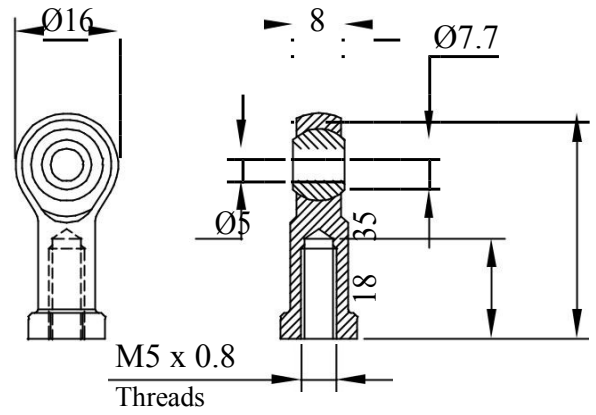
SEE PART NO. TABLE

SHEET

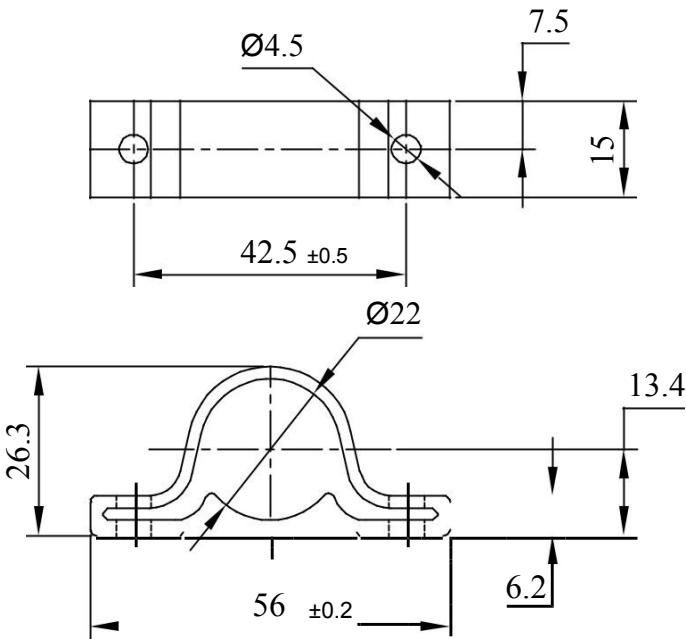
MOUNTING ACCESSORIES



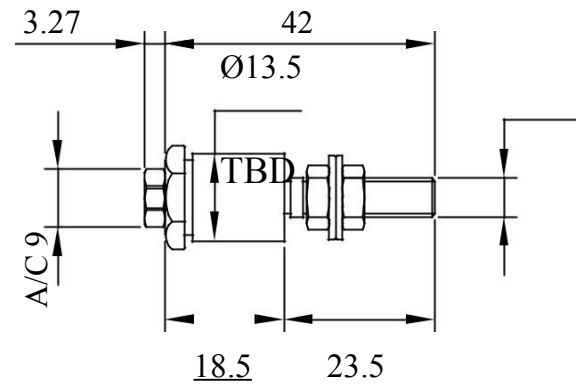
MALE REB (C1)



FEMALE REB (C2)



MOUNTING CLAMP (OPTIONAL)



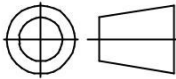
LINK BALL

CONDUCTIVE PLASTIC
LINEAR MOTION POTENTIOMETER

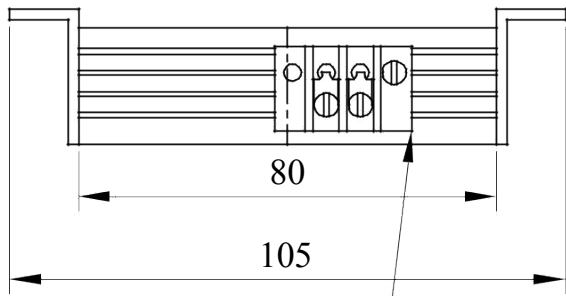


TOLERANCES
DIN-ISO 2768-1 (1991-06)
(TOLERANCE CLASS-MEDIUM)

RS Pro PART NO
SEE PART NO. TABLE

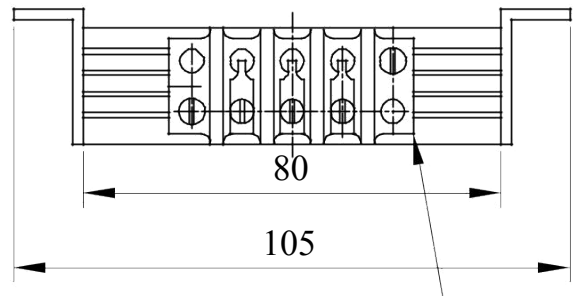


CUSTOMER DRAWING REF NO	REV -00
NA	
<hr/>	
CUSTOMER :RS Pro	SHEET 2of3



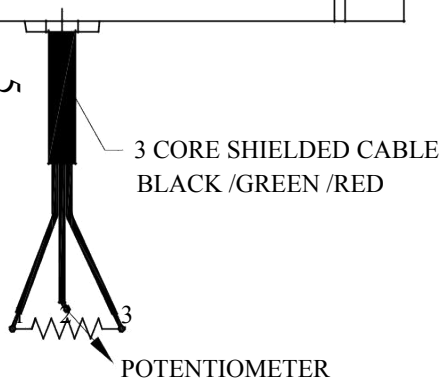
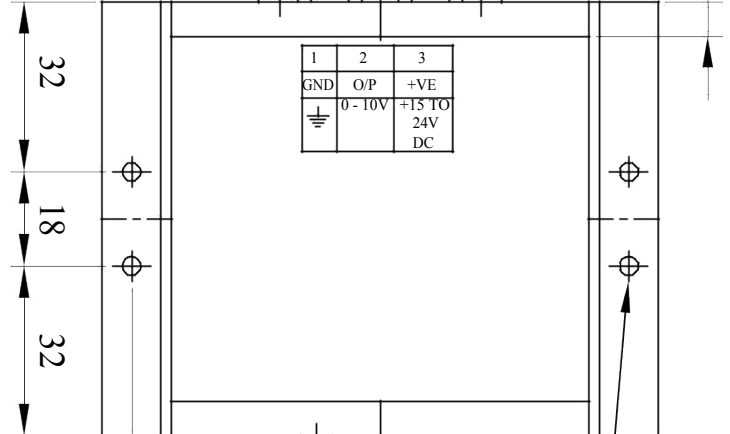
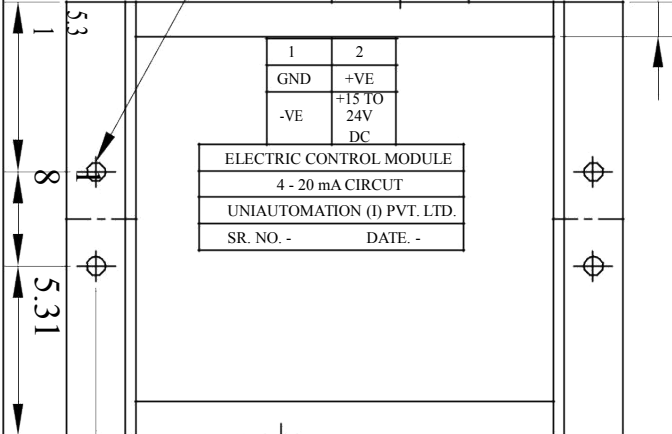
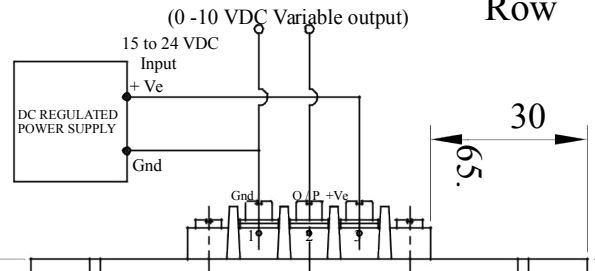
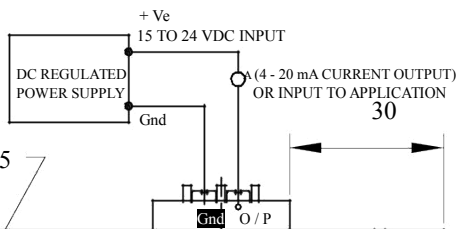
TOP VIEW

Two way terminal row

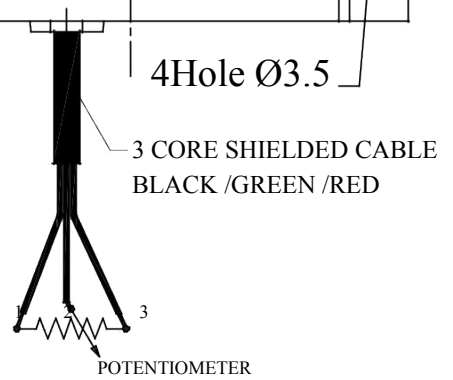


TOP VIEW

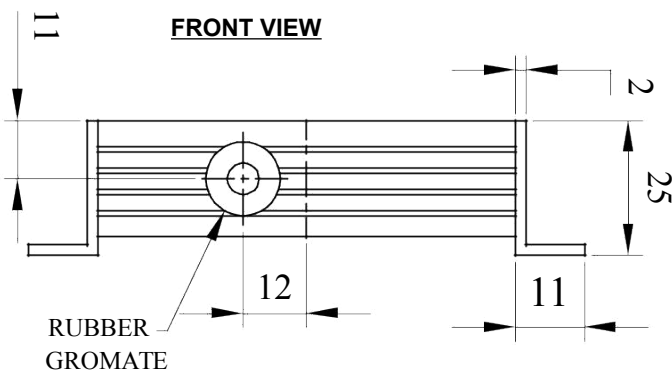
3 Way Terminal Row



FRONT VIEW

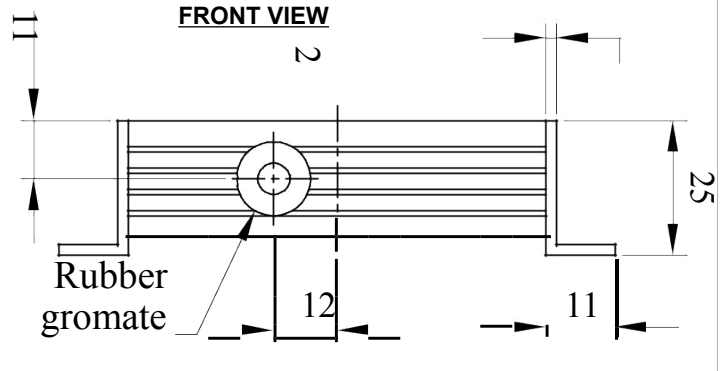


FRONT VIEW



BOTTOM VIEW

4-20mA OUTPUT MODULE



BOTTOM VIEW

0-10V.D.C. OUTPUT MODULE