

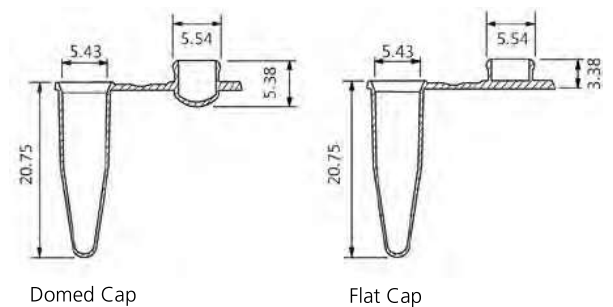


>> Features

- Made of high quality medical grade polypropylene
- Ultra thin-wall tubes provide faster heating and cooling
- High degree of transparency allows for easy observation of samples
- Available with domed caps or flat caps
- Domed caps ensure efficient heat transfer
- Flat caps are ideal for Real-Time PCR (qPCR)
- Unique cap design prevents opening during cycling and incubation stages
- DNase, RNase, and endotoxin free

Specifications

- Fits most standard thermocyclers
- Can withstand centrifugation of up to 6,000 RCF



Dimensions = mm

Cat #	Volume	Color	Cap	Sterile	Unit	Total
60-0082	0.2ml	Clear	Flat-top	No	1,000 /Bag/Pack, 10 Packs/Case	10000 /Case
60-0182*	0.2ml	Pink	Flat-top	No	1,000 /Bag/Pack, 10 Packs/Case	10000 /Case
60-0282*	0.2ml	Green	Flat-top	No	1,000 /Bag/Pack, 10 Packs/Case	10000 /Case
60-0382*	0.2ml	Blue	Flat-top	No	1,000 /Bag/Pack, 10 Packs/Case	10000 /Case
60-0482*	0.2ml	Yellow	Flat-top	No	1,000 /Bag/Pack, 10 Packs/Case	10000 /Case
60-0002	0.2ml	Clear	Dome-shaped	No	1,000 /Bag/Pack, 10 Packs/Case	10000 /Case
60-0102*	0.2ml	Pink	Dome-shaped	No	1,000 /Bag/Pack, 10 Packs/Case	10000 /Case
60-0202*	0.2ml	Green	Dome-shaped	No	1,000 /Bag/Pack, 10 Packs/Case	10000 /Case
60-0302*	0.2ml	Blue	Dome-shaped	No	1,000 /Bag/Pack, 10 Packs/Case	10000 /Case
60-0402*	0.2m	Yellow	Dome-shaped	No	1,000 /Bag/Pack, 10 Packs/Case	10000 /Case

* Call for details.