

RoHS
Compliant



Description

This series gG NH fuse-links comply with national and international standards and regulations, with high technical standards and ensuring a consistently high quality. This series are mainly used in AC 50Hz, rated voltage up to 690V, rated current up to 630A and for protecting electric equipment from overload and short-circuit. It can reliably break the min. fusion current to any current within 120kA. Innovative high-tech products protect people and investments and ensure maximum availability.

Application

- Power Supply Protection
- Desktop Meter Protection

Agency Information

- Designed to IEC 60269-1 and IEC 60269-2, GB 13539.1, GB/T 13539.2

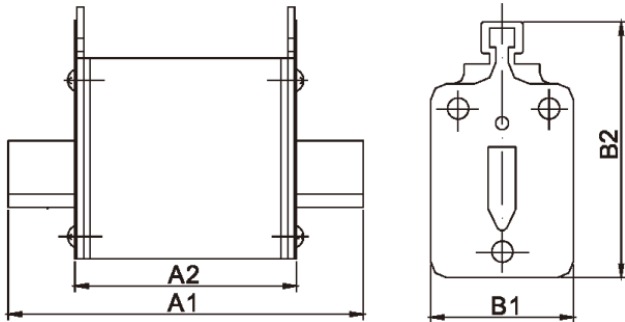
Features

- Reliable clearing of fault currents for cable and line protection
- Utilization category: gG
- Non-insulated metal gripping lug
- Copper fuse element
- Low watt losses
- QR code marks on each fuse for traceability

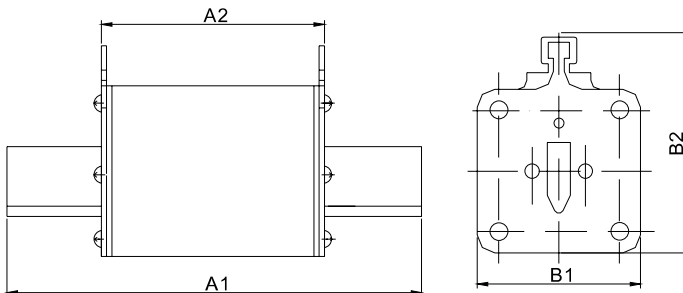
Specifications

Part Number	Rated Current	Ampere Code	Rated Voltage	Breaking Capacity
MP013309	100A	3100	690 V AC 500 V AC	50kA @ 690 V AC 120KA @ 500 V AC
MP013310	125A	3125		
MP013311	160A	3160		
MP013312	250A	3250		
MP013313	400A	3400		
MP013314	630A	3630		

Dimensions



Part Number	A1±1mm	A2±1mm	B1±1mm	B2±1mm
MP013309				
MP013310	78.5	49	29	57
MP013311				



Part Number	A1±1mm	A2±1mm	B1±1mm	B2±1mm
MP013312/ MP013313	150	68	58	71
MP013314	150	68	67	85

Part Number Table

Description	Part Number
Industrial Power Fuse, 100A	MP013309
Industrial Power Fuse, 125A	MP013310
Industrial Power Fuse, 160A	MP013311
Industrial Power Fuse, 250A	MP013312
Industrial Power Fuse, 400A	MP013313
Industrial Power Fuse, 630A	MP013314

Dimensions : Millimetres

Important Notice : This data sheet and its contents (the "Information") belong to the members of the AVNET group of companies (the "Group") or are licensed to it. No licence is granted for the use of it other than for information purposes in connection with the products to which it relates. No licence of any intellectual property rights is granted. The Information is subject to change without notice and replaces all data sheets previously supplied. The Information supplied is believed to be accurate but the Group assumes no responsibility for its accuracy or completeness, any error in or omission from it or for any use made of it. Users of this data sheet should check for themselves the Information and the suitability of the products for their purpose and not make any assumptions based on information included or omitted. Liability for loss or damage resulting from any reliance on the Information or use of it (including liability resulting from negligence or where the Group was aware of the possibility of such loss or damage arising) is excluded. This will not operate to limit or restrict the Group's liability for death or personal injury resulting from its negligence. Multicomp Pro is the registered trademark of Premier Farnell Limited 2019.

Newark.com/multicomp-pro
 Farnell.com/multicomp-pro
 sg.element14.com/b/multicomp-pro