

## FEATURES

- Quick connection and disconnection
- Large range to comply food norms
- Silicon free
- Operating temperature range is from - 15 °C to + 190 °C

# RS PRO STRAIGHT MALE ADAPTOR (PARALLEL) - FOOD GRADE

RS Stock No.: 2312749



RS PROfessionally Approved Products bring to you professional quality parts across all product categories. Our product range has been tested by engineers and provides a comparable quality to the leading brands without paying a premium price.

## Product Description

The RS PRO straight male adaptor (parallel) works in - 0.99 bar to 20 bar pressure range. It is mainly used in dairy, coffee machine, vending, food & beverage, medical, vacuum applications. It is available in brass with Food Grade coating. In combination with FEP tubes, it is the most demanded solution for the Food & Beverage market. Because of the special coating it can be used also in aggressive environment. RoHS and REACH compliant.

## General Specifications

<b>Material</b>	Nickel Plated Brass
<b>Applications</b>	Lubrication System, Cooling System, Pneumatic Machinery Equipment

## Mechanical Specifications

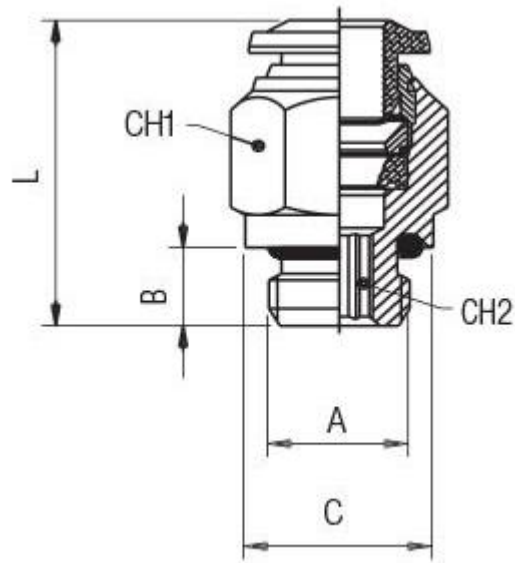
<b>Connection Type</b>	Threaded, Tube
<b>Tube Connection Size</b>	10mm
<b>Coupling Gender</b>	Male
<b>Threaded Connection</b>	1/4 in Male
<b>Thread Size</b>	1/4in
<b>Hose Barb Connection</b>	10mm
<b>Mounting Hole Diameter</b>	16mm
<b>Wrench Size1</b>	17
<b>Wrench Size2</b>	6
<b>Length</b>	30.5mm

## Operation Environment Specifications

<b>Minimum Operating Temperature</b>	-15°C
<b>Maximum Operating Temperature</b>	190°C

## Similar Products

Parameters	2312744	2312745
<b>Brand</b>	<b>RS PRO</b>	<b>RS PRO</b>
<b>Connection Type</b>	Threaded, Tube	Threaded, Tube
<b>Hose Barb Connection</b>	4mm	6mm
<b>Coupling Gender</b>	Male	Male
<b>Threaded Connection</b>	1/8 in Male	1/8 in Male
<b>Thread Size</b>	1/8in	1/8in
<b>Hose Barb Connection</b>	4mm	6mm
<b>Mounting Hole Diameter</b>	13mm	13mm
<b>Wrench Size1</b>	10	13
<b>Wrench Size2</b>	2	4
<b>Length</b>	21mm	23.5mm



Tube	A	B	C	L	CH1	CH2	Pack.
10	1/4	7.1	16	30.5	17	6	10