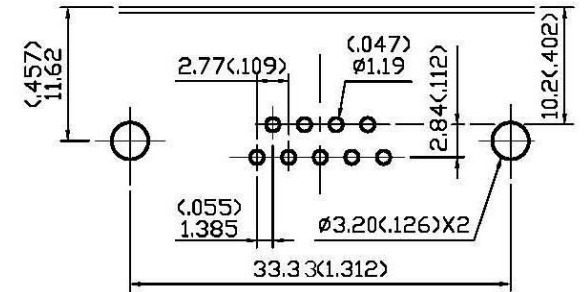
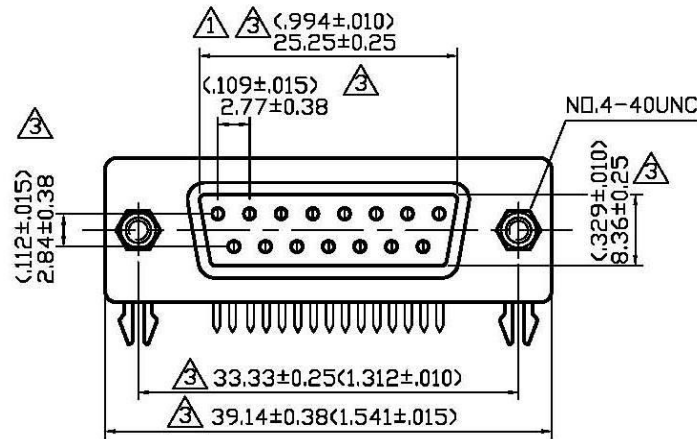
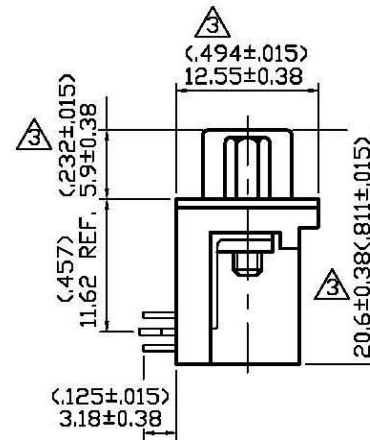
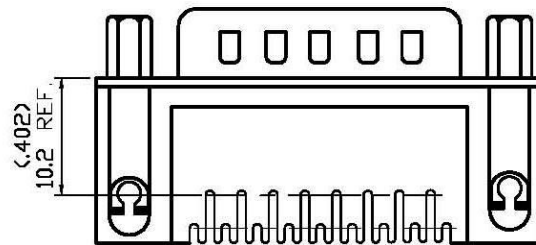


NO	DESCRIPTION	DATE
⚠	ADD MIS PART NO. 25.25 LINE MARK TO REVISE	04.01.04
⚠	4724485 → 054-0015P-F P54-0015P-F → 054-0015P-F	01.02.07
⚠	ADD DESCRIPTION MIS PART NO. → P/N 2.77±0.25 → 2.77±0.38 25.25 REF → 25.25±0.25 2.84±0.25 → 2.84±0.38 8.36 REF → 8.36±0.25 33.33 REF → 33.33±0.25 39.14 REF → 39.14±0.38 12.55±0.25 → 12.55±0.38 5.9 REF → 5.9±0.38 20.6 REF → 20.6±0.38	04.29.08



MOUNTING HOLE



⚠⚠⚠ P/N: 544-3963

**MATERIAL:**

INSULATOR: PBT+30% GLASS FIBER (UL 94V-0) BLACK.  
CONTACT MATERIAL: BRASS.  
CONTACT FINISH: GOLD OVER NICKEL.  
SHELL FINISH: STEEL NICKEL PLATED.

**SPECIFICATION:**

CURRENT RATING: 5 AMP  
DIELECTRIC WITHSTANDING VOLTAGE: 1000V PER MINUTE.  
INSULATION RESISTANCE: 1000M MIN. AT 500V DC.  
CONTACT RESISTANCE: 15mΩ MAX. 10 SES.  
OPERATING TEMPERATURE: -55°C--+105°C

APPROVED by \_\_\_\_\_ DATE: \_\_\_\_\_



DESCRIPTION		D-SUB WITH 15-PIN MALE CONNECTOR BY FORMING							
製圖	DRAWN	TOLERANCE	品名	054-0015P-F	15W RT/ANG GRD PLG	日期	DATE	版次	REV.
檢圖	CHECK	.X ±0.2	TITLE	\ROHS COMPLIANT		01.27.04	01.27.04	A-3	
認定	APPROVAL	.XX ±0.1	單位	mm(in)	DWG.NO.	55-0069			
	Angela	.XXX ±0.05	比例	SCALE	2:1				
		ANGLE ±5°							