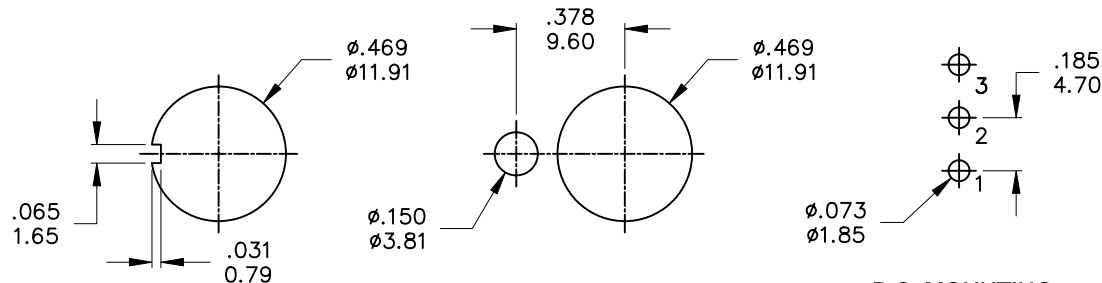


Model No.	POS.1	POS.2	POS.3
	1MS1	ON	NONE
Term. Comm.	2-3	N/A	2-1
SCHEMATIC			

SWITCH FUNCTION

	PART NO.	PART NAME	Q'TY
1	MNU-1M07	15/32 INCH NUTS	2
2	MNU-1M09	LOCKING WASHER	1
3	MNU-1M08	LOCKING RING	1

FILE NAME: HARDWARE-0001



PANEL MOUNTING

SPECIFICATIONS

MECHANICAL LIFE: 40,000 make-and-break cycles.
CONTACT RESISTANCE: 10 mΩ max. initial @ 2-4VDC
 100mA for both silver and gold plated contacts.
INSULATION RESISTANCE: 1,000 MΩ min.
DIELECTRIC STRENGTH: 1,000 Vrms min. @ sea level.
OPERATING TEMPERATURE: -30°C to 85°C.

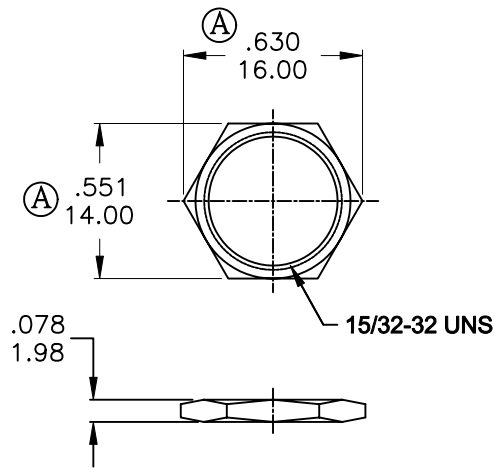
MATERIALS

CASE: Diallyl phthalate (DAP) (UL94v-0).
ACTUATOR: Brass, chrome plated.
BUSHING: Brass, nickel plated.
HOUSING: Stainless Steel.
TERMINAL/CONTACT: Brass, Silver or gold plated.
RoHS: 2002/95/EC

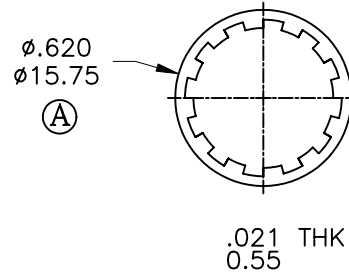


	CONTACT PLATING	TERMINAL PLATING	RATINGS
Q	Silver	Q = Silver	5 Amps @120 VAC or 28 VDC 2 Amps @250VAC
S		S = Silver, pure-tin	
C	Gold over Silver	C = Gold over silver	
K		K = Gold over silver, pure-tin	
R	Gold	R = Gold	0.4 Volt-Amps(VA) max. @20V max. (AC or DC)
G		G = Gold, pure-tin	

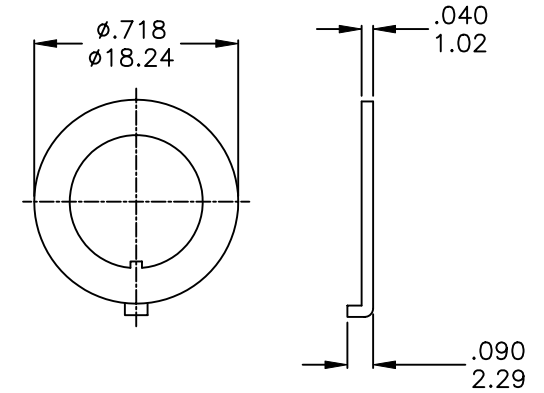
符號	原尺寸	修改後尺寸	變更日期	SCALE (比例): 3:2	TITLE 圖名	Miniature Toggle Switches	SIZE 圖紙	A4		
1	(A)			TOLERANCE (公差): 0.00 mm ± 0.25mm 0.0 mm ± 0.40mm ANGULAR: ± 5° FILE NAME: 1MSP2101	DWG NO. 圖號	1MS1T8B13M2QNS-5	UNIT 單位	inch mm		
2	(B)				REV. 版本	A	DATE 日期	MAY - 05 - 2011	SHEET 張數	1 of 1
3	(C)				CHECKED BY 審核	RICHARD		DRAWN BY 製圖	IRENE	
4	(D)									
5	(E)									



MNU-1M07



MNU-1M09



MNU-1M08

	PART NO.	PART NAME	Q'TY
1	MNU-1M07	15/32 INCH NUTS	2
2	MNU-1M09	LOCKING WASHER	1
3	MNU-1M08	LOCKING RING	1



符號	原尺寸	修改後尺寸	變更日期	SCALE (比例): 3:2	TITLE 圖名	HARDWARE		SIZE 圖紙	A4	
1	(A)	修正物料尺寸	JUN-14-2010	TOLERANCE (公差): 0.00 mm \pm 0.25mm 0.0 mm \pm 0.40mm ANGULAR : $\pm 5^\circ$ FILE NAME : HARDWARE-0001	DWG NO. 圖號	15/32 IN BUSHING PART		UNIT 單位	inch mm	
2	(B)				REV. 版本	B	DATE 日期	DEC - 21 - 2007	SHEET 張數	1 of 1
3	(C)				CHECKED BY 審核	RICHARD		DRAWN BY 製圖	FION	
4	(D)									
5	(E)									