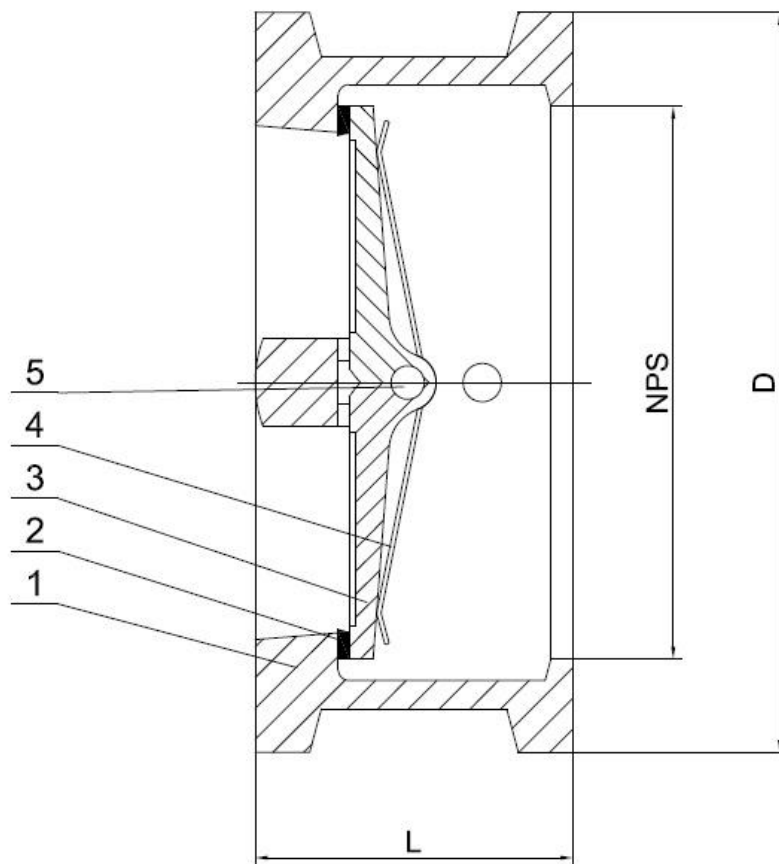


SS316 Wafer Type Dual Disk Check Valve

Features

- Wafer Type
- Wafer Connection
- Size: 1 1/2" - 6" (DN40 - DN150)
- Working Pressure: 150#, 300#, JIS 5K, JIS 10K, PN10, PN16, PN40
- Material: SS316, CF8M
- Applicable Medium: General oil, gas & water applications
- Temperature Range: $\leq 150^{\circ}\text{C}$



Technical Specifications

1. Basic design and manufacture according to API 594
2. Face to face dimensions according to ANSI B16.10
3. Inspection and tested according to API 598

Performance Specification Sheet			
Nominal pressure		PN40	
Test pressure	Strength test	6.0	MPa
	Seal test	4.4	
	Air seal test	0.6	
Applicable Medium: General oil, gas & water			

Ordering Information

VL - S - DD - W - 300 - 24
 I - II - III - IV - V - VI

I Type of Item

VL Low Pressure Valves

II Material Grade

S	SS316, CF8M	CI	Cast Iron
FS	Forged Steel	CS	Cast Steel
B	Brass		

III Item

GA	Gate Valve	B1	1 PC Ball Valve
GL	Globe Valve	B2	2 PC Ball Valve
YS	Y-Strainer	B3	3 PC Ball Valve
SC	Swing Check Valve	BL	3 Way Ball Valve L Port
VC	Vertical Check Valve	BT	3 Way Ball Valve T Port
WC	Wafer Check Valve	BMF	Male x Female Mini Ball Valve
DD	Dual Disk	BU	Butterfly Valve

IV Connection Type

SW	S/W	G	BSPP
BW	B/W	N	NPT
R	BSPT	F	Flange End
W	Wafer	L	Lug

V Pressure

200	200 PSI	2000	2000 PSI
300	300 PSI	150	ANSI 150# Flange Standard
600	600 PSI	10K	JIS 10K Flange Standard
800	800 PSI	PN16	PN 16 Flange Standard
1000	1000 PSI		

For Inch OD & Inch NB Sizes

VI Size

Size	1/8"	1/4"	5/16"	3/8"	1/2"	5/8"	3/4"	1"
Code	02	04	05	06	08	10	12	16
Size	1 1/4"	1 1/2"	2"	2 1/2"	3"	4"	5"	6"
Code	20	24	32	40	48	64	80	96

VII Coating

(None) No Additional Coating
 NI Nickel Plating

Material List

No.	Part Name	Material
1	Body	CF8M/SS316
2	Seat ring	SS316
3	Wedge	CF8M/SS316
4	Spring	SS316
5	Pin	SS316

Dimension List

NPS	Connection	Part No	DN	L	D
1 1/2"	Wafer	VL-S-DD-W-600-24	40	44	100
2"	Wafer	VL-S-DD-W-600-32	50	60	103.7
2 1/2"	Wafer	VL-S-DD-W-600-40	65	67	122.7
3"	Wafer	VL-S-DD-W-600-48	80	73	135.4
4"	Wafer	VL-S-DD-W-600-64	100	73	173.5
5"	Wafer	VL-S-DD-W-600-80	125	87	192
6"	Wafer	VL-S-DD-W-600-96	150	99	220

Part Number Reference

Part No	Description
VL-S-DD-W-600-24	1 1/2" SS316 WAFER DUAL DISK CHECK VALVE PN40
VL-S-DD-W-600-32	2" SS316 WAFER DUAL DISK CHECK VALVE PN40
VL-S-DD-W-600-40	2 1/2" SS316 WAFER DUAL DISK CHECK VALVE PN40
VL-S-DD-W-600-48	3" SS316 WAFER DUAL DISK CHECK VALVE PN40
VL-S-DD-W-600-64	4" SS316 WAFER DUAL DISK CHECK VALVE PN40
VL-S-DD-W-600-80	5" SS316 WAFER DUAL DISK CHECK VALVE PN40
VL-S-DD-W-600-96	6" SS316 WAFER DUAL DISK CHECK VALVE PN40