



Datasheet

ENGLISH

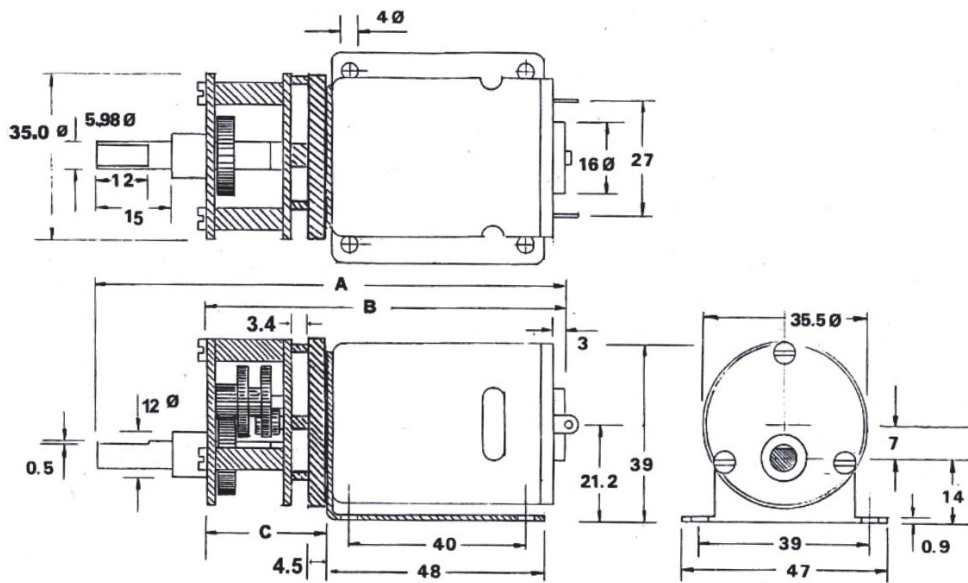
RS PRO, 12 V dc, 2000 gcm, Brushed DC Geared Motor, Output Speed 483 rpm

Stock No: 834-7593



Specifications:

Output Speed	483 rpm
Supply Voltage	12 V dc
Maximum Output Torque	2000 g.cm
DC Motor Type	Brushed
Shaft Diameter	6mm
Power Rating	19.8 W
Gearhead Type	Spur
Length	75.7mm
Width	39mm
Current Rating	2.81A
Weight	249g



Operating relative humidity 20% ~ 85%
 Operating temperature range -10°C ~ +60°C

Ratio	A	B	C
30:1	100.7mm	75.7mm	23.7mm

Gearbox Housing material	Metal
Backlash at no-load	< 2°
Bearing at output	Sleeve bearings
Radial load (10mm from flange)	< 1 kgf
Shaft axial load	< 0.7 kgf
Shaft press fit force max	< 20 kgf
Radial play of shaft	< 0.05mm
Thrust play of shaft	< 0.35mm

Reduction Ratio	Rated tolerance Torque	Max momentary Tolerance Torque	Efficiency
1/30	2 kgf-cm Max.	6 kgf-cm	73%

Reduction Table RPM SUPPLY VOLTAGE	4.5v	6v	9v	12v	15v
834-7593	181	242	362	483	604

Note: Motor speeds may vary by (+) or (-) 12.5%