



Main

Product or component type	Passive filter
Product specific application	Reduction of current harmonics

Complementary

Range compatibility	Altivar&Nbsp;Process ATV600 Altivar 71 Altivar&Nbsp;Process ATV900 Altivar 61
[Us] rated supply voltage	400 V +/- 10 %
Power supply frequency	50 Hz +/- 2 %
Quantity per drive	1 filter per drive for variable speed drive ATV61W motor: 22 kW/30 hp 1 filter per drive for variable speed drive ATV61H motor: 22 kW/30 hp 1 filter per drive for variable speed drive ATV71H motor: 22 kW/30 hp 1 filter per drive for variable speed drive ATV71W motor: 22 kW/30 hp 1 filter per drive for variable speed drive ATV650 wall mount, motor: 22 kW/30 hp 1 filter per drive for variable speed drive ATV630 wall mount, motor: 22 kW/30 hp 1 filter per drive for variable speed drive ATV950 wall mount, motor: 22 kW/30 hp 1 filter per drive for variable speed drive ATV930 wall mount, motor: 22 kW/30 hp
[In] rated current	43 A for input 45 A for output
Network number of phases	3 phases
THDI	10 % for variable speed drive ATV61W motor: 22 kW/30 hp[RETURN]16 % for variable speed drive ATV61H motor: 22 kW/30 hp[RETURN]16 % for variable speed drive ATV71H motor: 22 kW/30 hp[RETURN]16 % for variable speed drive ATV71W motor: 22 kW/30 hp[RETURN]10 % for variable speed drive ATV650 motor: 22 kW/30 hp[RETURN]10 % for variable speed drive ATV630 motor: 22 kW/30 hp[RETURN]10 % for variable speed drive ATV950 motor: 22 kW/30 hp[RETURN]10 % for variable speed drive ATV930 motor: 22 kW/30 hp
Max current	1.5 x nominal current (duration = 60 s)
Efficiency	98 %
Thermal losses	274 W
Cos phi	1 (150 % of line current) 0.85 (75 % of line current) 0.99 (100 % of line current)
Electrical connection	A, B terminal, connection capacity: 2.5 mm ² X1-1...X2-3 terminal, connection capacity: 1.5...25 mm ²
Electrical insulation class	Class F
Net weight	39 kg

Environment

IP degree of protection	IP20 IP55 (enclosure mounting)
Vibration resistance	2 mm peak to peak (f= 5...13.2 Hz) conforming to IEC 60068-2-6 0.7 gn (f= 13.2...150 Hz) conforming to IEC 60068-2-6
Relative humidity	5...85 % without condensation
Ambient air temperature for operation	45...60 °C (with current derating 3 % per °C) 5...45 °C (without current derating)
Ambient air temperature for storage	-25...55 °C storage in original packaging -25...65 °C during transport
Operating altitude	<= 1000 m without current derating > 1000...4000 m with current derating 5 % per 1000 m
Standards	IEC 61000-2-4 IEC 61000-3-4 G5/4 engineering recommendation IEC 61000-3-12 IEC 61000-2-2 IEC 61000-3-2

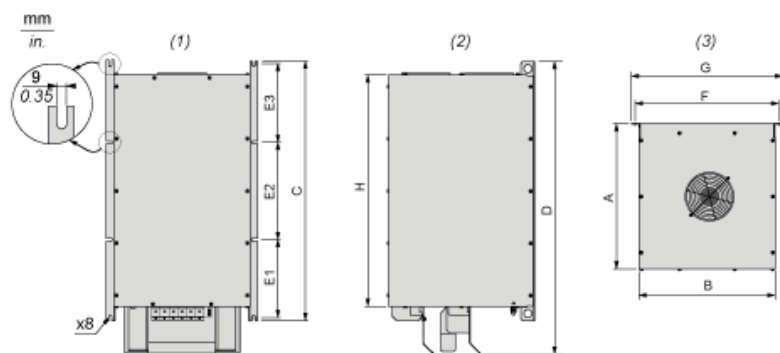
Packing Units

Unit Type of Package 1	PCE
Number of Units in Package 1	1
Package 1 Height	61.000 cm
Package 1 Width	60.000 cm
Package 1 Length	80.000 cm
Package 1 Weight	60.500 kg

Offer Sustainability

REACH Regulation	REACH Declaration
REACH free of SVHC	Yes
EU RoHS Directive	Pro-active compliance (Product out of EU RoHS legal scope) EU RoHS Declaration
Toxic heavy metal free	Yes
Mercury free	Yes
China RoHS Regulation	China RoHS Declaration
RoHS exemption information	Yes

Dimensions



- (1) Front view
- (2) Right side view
- (3) Top view

Dimensions in mm

A	B	C	D	E1	E2	E3	F	G	H
242	330	547	594.08	145	233	145	353	378	460

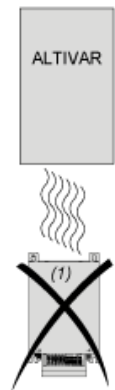
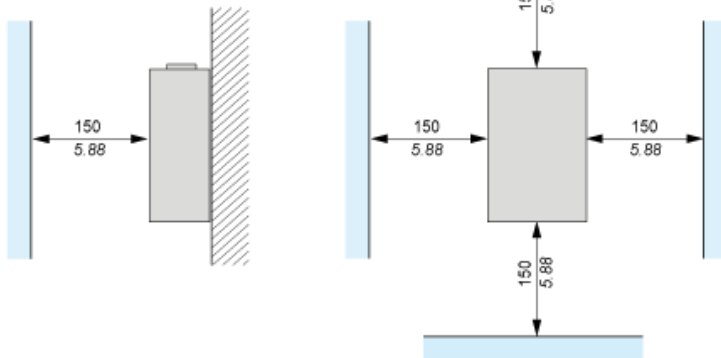
Dimensions in in.

A	B	C	D	E1	E2	E3	F	G	H
9.53	12.99	21.54	23.39	5.71	9.17	5.71	13.90	14.88	18.11

Mounting Recommendations

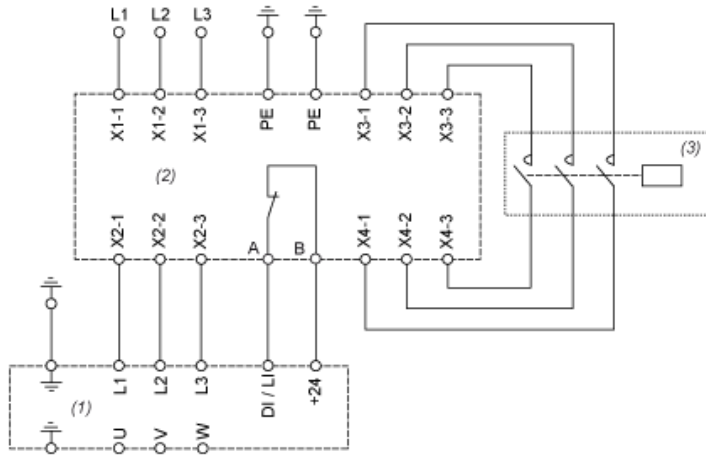
Vertical Mounting Only

mm
in.



(1) Filter

Recommended Schema



- (1) Drive
- (2) Filter
- (3) Optional