

## FEATURES

- Rugged construction
- Universal XLR panel cut out
- No special tooling required
- Front or back panel mounting

## RS PRO USB Connector, Panel Mount, Socket 2.0 B to A, Straight- Single Port

RS Stock No.: 862-1573



RS Professionally Approved Products bring to you professional quality parts across all product categories. Our product range has been tested by engineers and provides a comparable quality to the leading brands without paying a premium price.

## Product Description

A range of RS PRO USB gender changer sockets in rugged XLR housings. The USB connectors convert from USB 2 A to B or USB 2 B to A. Designed to accommodate USB2 data feeds into professional broadcasting, audio and lighting applications. Housings are constructed from nickel plated zinc and are available in self-coloured or black options. Suitable for front or rear panel mounting.

Available in this Range - 2.0 USB Connector, Receptacle

- [862-1579](#) USB A to B Socket – self-colour
- [862-1573](#) USB B to A Socket – self-colour
- [124-6392](#) USB A to B Socket - Black metal
- [124-6393](#) USB B to A Socket – Black metal

## General Specifications

<b>Gender</b>	Female
<b>Mounting Type</b>	Panel Mount
<b>USB Type</b>	B to A
<b>USB Version</b>	2.0
<b>Body Orientation</b>	Straight
<b>Number of Ports</b>	1
<b>Termination Method</b>	USB2 A/B plug
<b>Colour</b>	Self-colour
<b>Applications</b>	Computers, Tablets, Games consoles, Smart TVs, DVD and Blu-Ray players

## Approvals

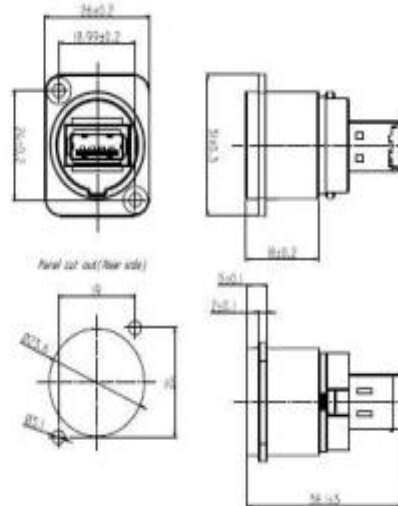
<b>Compliance/Certifications</b>	RoHS
----------------------------------	------



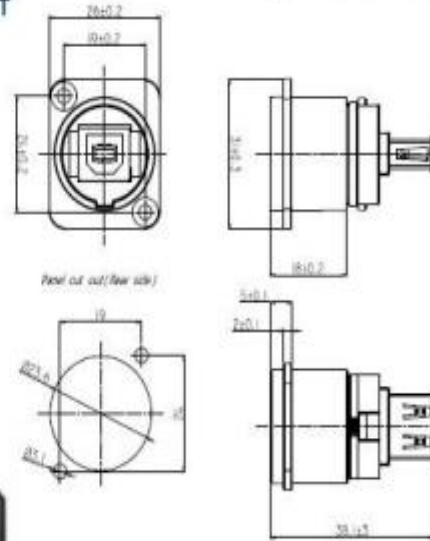
**RS Stock number 862-1573**



**Part No:** 8621579  
**A→B GENDER CHANGE FEEDTHROUGH SOCKET**



**Part No:** 8621573  
**B→A GENDER CHANGE FEEDTHROUGH SOCKET**



**USB SPECIFICATION**

PIN No.	USB A	USB B
1	Vcc	Vcc
2	D-	D-
3	D+	D+
4	GROUND	GROUND

