

FEATURES

- Limited pressure drop
- Easy to handle
- Function repeatability
- Silicon free

RS PRO Orienting Flow Regulator For Cylinder “Universal Short”

RS Stock No.: 2312681



RS PROfessionally Approved Products bring to you professional quality parts across all product categories. Our product range has been tested by engineers and provides a comparable quality to the leading brands without paying a premium price.

Product Description

The RS PRO orienting flow regulator for cylinder “universal short” mainly used in pneumatic automation, automotive process and food & beverage applications. RoHS and REACH compliant. It has operating temperature range is from - 20 °C to + 80 °C.

General Specifications

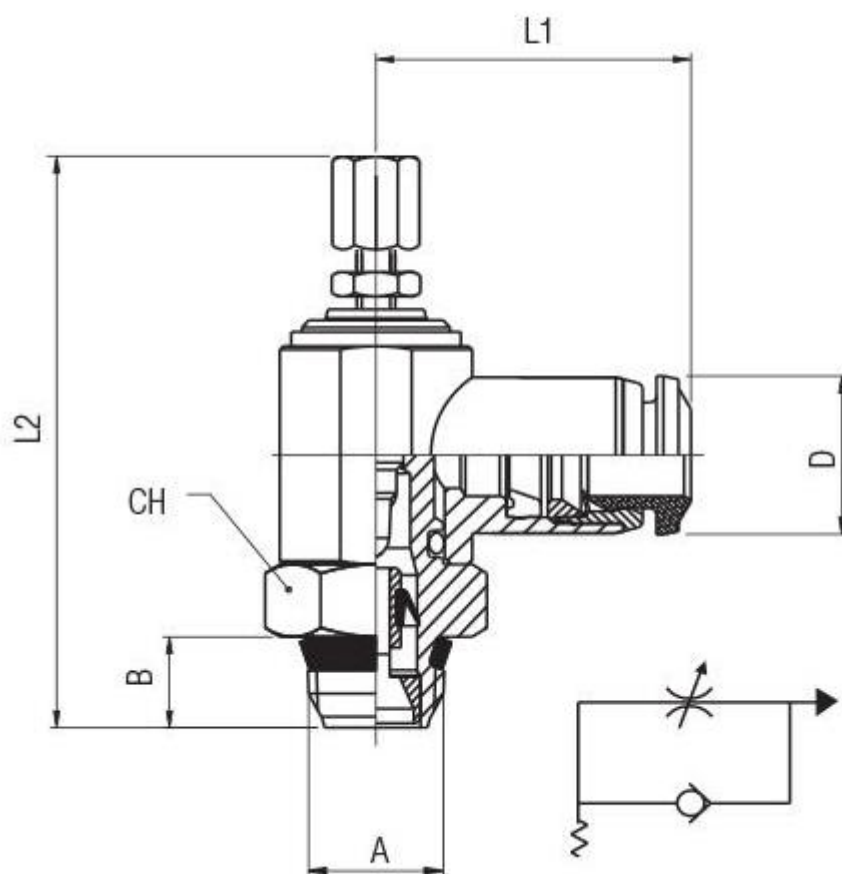
Type	Threaded, Tube
Application	Pneumatic automation, Automotive process, Food & Beverage

Mechanical Specifications

Length 1	23mm
Length 2	49mm
Wrench Size	14mm

Inlet Port	
Inlet Port Type	1/8 in Male
Threaded Inlet Thread Size	1/8in
Threaded Inlet Thread Gender	Male

Outlet Port	
Tube Outlet Port	Flow Regulator
Threaded Outlet Port	6
Threaded Outlet Thread Gender	Female



Tube	A	B	L1	L2 min	L2 max	CH	D	Pack.
6	1/8	5.5	23	44	49	14	12.5	10