

FEATURES

- Number of LEDs: 60 per meter
- Wide viewing angle: 120°
- IP65 crystal resin
- Self-adhesive
- Colour options: cool white, warm white, natural white, red, green, blue and yellow
- IP20 options are available

RS PRO White LED Strip 5m 12V

RS Stock No.: 883-7904



RS Professionally Approved Products bring to you professional quality parts across all product categories. Our product range has been tested by engineers and provides a comparable quality to the leading brands without paying a premium price.

Product Description

The LS Series is a family of 1 m and 5 m flexible LED strips. Available in a variety of colour options, these flexible LED strips have a self-adhesive back for easy fixing into place. Their flexibility enables them to adjust to different shapes, following curves and corners.

General Specifications

LED Colour(s)	White
Number of LEDs per Metre	60
Flexible/Rigid	Flexible
LED Chip	SMD3528 60LED/M
Applications	Kitchens, Bathrooms, Automotive, Signage, Guidance lighting, Doorway lighting, Architecture, General purpose lighting

Colour Specification

Colour	Colour Temperature	Typical Luminous Flux (lm/m)
Cool White	5500K - 7000K	550lm/m
White	4000K - 4500K	450lm/m
Warm White	2700K - 3200K	400lm/m

Electrical Specifications

Voltage Rating	12VDC
Current Rating	400mA (per metre)
Power Per Metre	4.8W/m

Mechanical Specifications

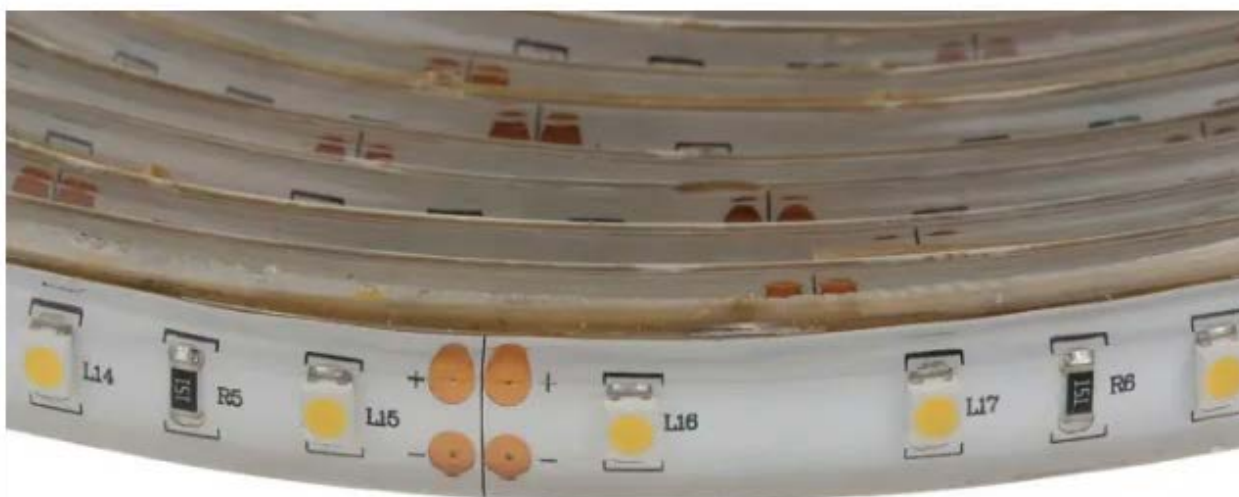
Strip Length	5m
Strip Width	10mm
Beam Angle	120°

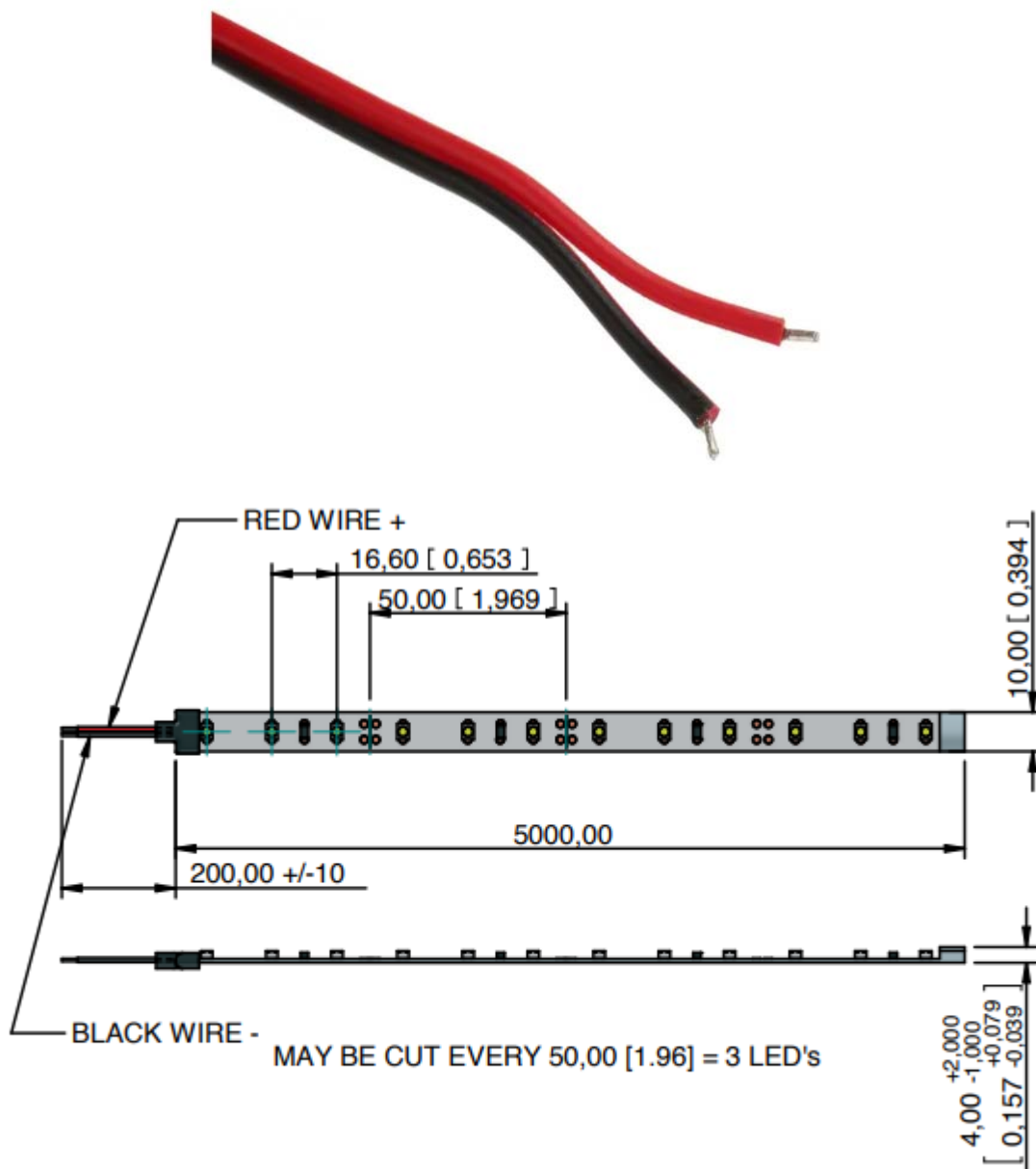
Protection Category

IP Rating	IP65
------------------	------

Approvals

Compliance/Certifications	ROHS
----------------------------------	------





S