



Datasheet

RS PRO Type 3 25mm diax5mm H

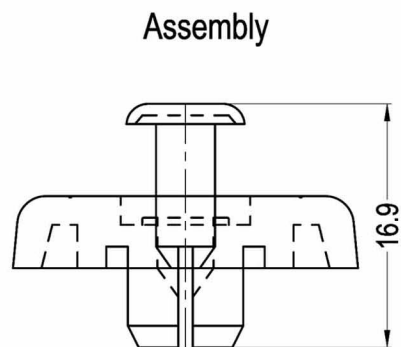
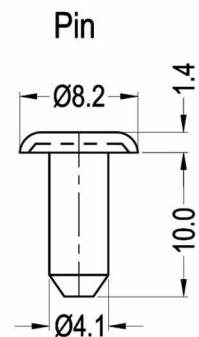
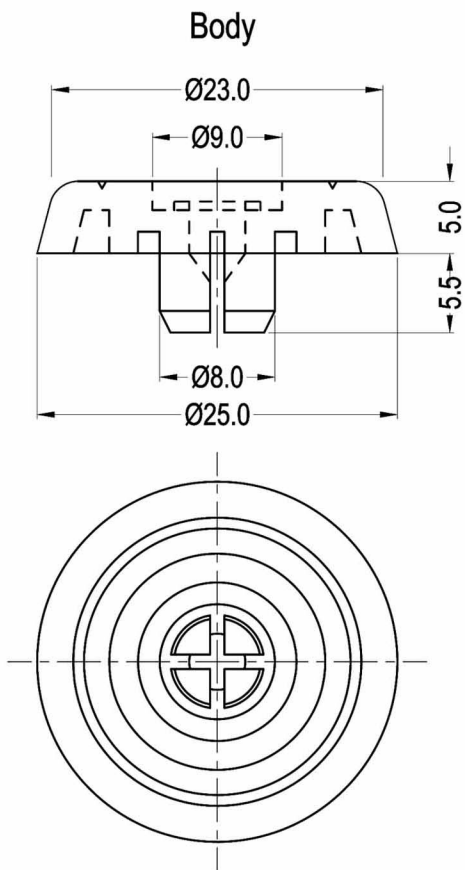
Stock number: 172-0853

EN



DIMENSIONS	TOLERANCE
<4mm	±0.15
4mm~15mm	±0.20
15mm~30mm	±0.30
30mm~50mm	±0.50
50mm~100mm	±1.00

REVISIONS			
REV	DESCRIPTION	DATE	BY
01	NEW DRAWING	2015-9-16	Jack Xu



- NOTES:
 1.MATERIAL: BODY--TPV
 PIN--- PP
 2.FLAME CLASS: UL94 HB
 3.Hole:Ø8.0~8.1mm
 Panel Thickness:0.8~1.5mm

Unit:mm

Kinglok[®]

上海凯舒电子材料有限公司
 Shanghai Kinglok Electrical Material Co., Ltd.

SCALE	2:1	PART NAME	Soft Fast Foot
COLOR	BLACK	PART NO.	172-0853
DRAWN	ALEX	MATERIAL	SEE NOTES
CHECK	JACK	DRAWING NO.	KS180712-7
APPROVED	FRED	DRAWING DATE	2015-9-16