

# 10A Heavy Duty Connector Crimp Contacts

**multicomp** PRO

**RoHS  
Compliant**

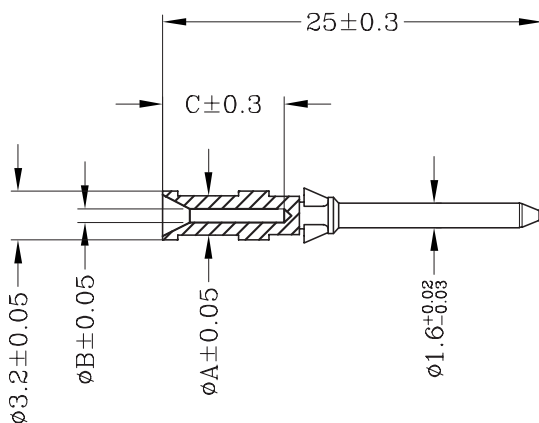


## Specifications

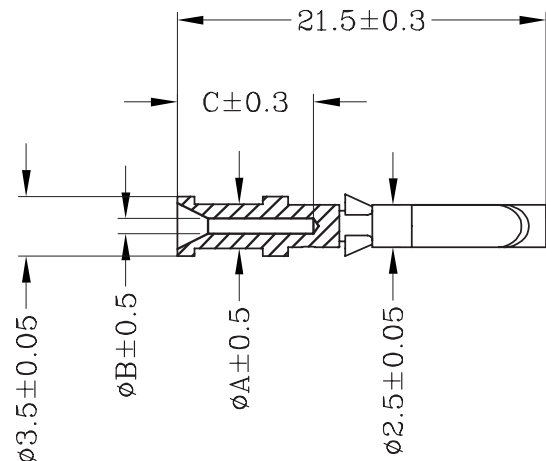
Material	: Copper Alloy
Finish	: Gold Plated / Silver Plated
Rated Current	: 10A
Contact Resistance	: $\leq 3\text{m}\Omega$
Wire Diameter Range	: $0.14\text{mm}^2$ to $2.5\text{mm}^2$ (26AWG to 14AWG)
Plugging Force	: 2-5N
Pluggable Times	: $\geq 500$

## Diagram

**Crimp Contact, Male**



**Crimp Contact, Female**



Part Number				Wire Diameter		A	B	C
Male		Female		mm <sup>2</sup>	AWG			
Gold Plated	Silver Plated	Gold Plated	Silver Plated	0.14~0.37	26~22	2.6	0.9	8
MP009662	MP009656	MP009650	MP009644	0.5	20	2.6	1.1	8
MP009663	MP009657	MP009651	MP009645	0.75	18	2.6	1.3	8
MP009664	MP009658	MP009652	MP009646	1	18	2.6	1.45	8
MP009665	MP009659	MP009653	MP009647	1.5	16	3	1.75	8
MP009666	MP009660	MP009654	MP009648	2.5	14	3.2	2.25	6
MP009667	MP009661	MP009655	MP009649					

Dimensions : Millimetres

Newark.com/multicomp-pro  
Farnell.com/multicomp-pro  
sg.element14.com/b/multicomp-pro

**multicomp** PRO

# 10A Heavy Duty Connector Crimp Contacts



### Part Number Table

Description	Part Number
Crimp Contact, Female, 10A, 26-22 AWG, Gold Plated	MP009650
Crimp Contact, Female, 10A, 20 AWG, Gold Plated	MP009651
Crimp Contact, Female, 10A, 18 AWG, Gold Plated	MP009652
Crimp Contact, Female, 10A, 18 AWG, Gold Plated	MP009653
Crimp Contact, Female, 10A, 16 AWG, Gold Plated	MP009654
Crimp Contact, Female, 10A, 14 AWG, Gold Plated	MP009655
Crimp Contact, Male, 10A, 26-22 AWG, Gold Plated	MP009662
Crimp Contact, Male, 10A, 20 AWG, Gold Plated	MP009663
Crimp Contact, Male, 10A, 18 AWG, Gold Plated	MP009664
Crimp Contact, Male, 10A, 18 AWG, Gold Plated	MP009665
Crimp Contact, Male, 10A, 16 AWG, Gold Plated	MP009666
Crimp Contact, Male, 10A, 14 AWG, Gold Plated	MP009667
Crimp Contact, Female, 10A, 26-22 AWG, Silver Plated	MP009644
Crimp Contact, Female, 10A, 20 AWG, Silver Plated	MP009645
Crimp Contact, Female, 10A, 18 AWG, Silver Plated	MP009646
Crimp Contact, Female, 10A, 18 AWG, Silver Plated	MP009647
Crimp Contact, Female, 10A, 16 AWG, Silver Plated	MP009648
Crimp Contact, Female, 10A, 14 AWG, Silver Plated	MP009649
Crimp Contact, Male, 10A, 26-22 AWG, Silver Plated	MP009656
Crimp Contact, Male, 10A, 20 AWG, Silver Plated	MP009657
Crimp Contact, Male, 10A, 18 AWG, Silver Plated	MP009658
Crimp Contact, Male, 10A, 18 AWG, Silver Plated	MP009659
Crimp Contact, Male, 10A, 16 AWG, Silver Plated	MP009660
Crimp Contact, Male, 10A, 14 AWG, Silver Plated	MP009661

**Important Notice :** This data sheet and its contents (the "Information") belong to the members of the AVNET group of companies (the "Group") or are licensed to it. No licence is granted for the use of it other than for information purposes in connection with the products to which it relates. No licence of any intellectual property rights is granted. The Information is subject to change without notice and replaces all data sheets previously supplied. The Information supplied is believed to be accurate but the Group assumes no responsibility for its accuracy or completeness, any error in or omission from it or for any use made of it. Users of this data sheet should check for themselves the Information and the suitability of the products for their purpose and not make any assumptions based on information included or omitted. Liability for loss or damage resulting from any reliance on the Information or use of it (including liability resulting from negligence or where the Group was aware of the possibility of such loss or damage arising) is excluded. This will not operate to limit or restrict the Group's liability for death or personal injury resulting from its negligence. Multicomp Pro is the registered trademark of Premier Farnell Limited 2019.

Newark.com/multicomp-pro  
Farnell.com/multicomp-pro  
sg.element14.com/b/multicomp-pro

