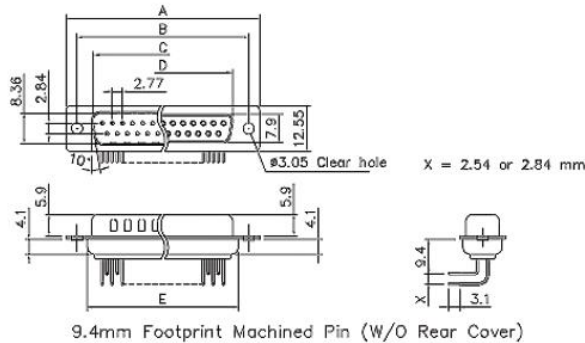


Datasheet

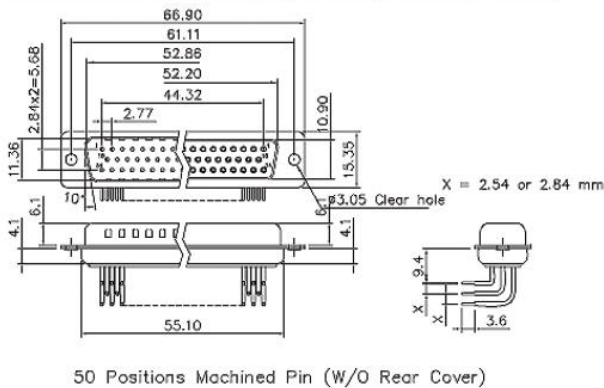
2.77mm Pitch 9 Way Right Angle Through Hole Mount PCB D-sub Connector, Socket

RS Stock number [528-3705](#)



Dimensions

Positions	A	B	C	D	E
9	30.81	24.99	16.92	16.33	19.20
15	39.14	33.32	25.50	24.66	27.70
25	53.04	47.04	38.96	38.38	41.10
37	69.32	63.50	55.42	54.84	57.30



Product Specification

Material

Insulator Glass-Filled Thermoplastic PBT, UL94V-0 rated

Contact : Turned copper alloy

Shell :Steel, 100u" Tin Over 50u" min Nickel.

Insulator color : Black

Electrical

Contact Resistance : 10 milliohms Max at 1 AMP DC.

Insulation Resistance :1000 megohms at 500 VDC

Dielectric Withstanding Voltage : 1000 VAC/rms 60Hz for 1 minute

Current Rating : 5 AMP all contacts simultaneously

Volatge Rating : 250 VAC/rms 60Hz

Temperature Range: -55°C to 125°C

Contact type: Machine pin

Contact Plating: Gold plated over nickel