



ENGLISH

Datasheet

Stock No: 1241073

## RS Pro 35 x 77mm Process Indicator, DC Linear



### At a glance

- 35x77mm size
- 4 digits display
- DC linear input (0-20mA, 4-20mA, 0-1V, 0-10V)
- Display scale can be adjusted between -1999 and 4000
- Decimal point adjustment - zero to three decimal places
- Process unit can be displayed

## Overview

The RS Pro Process Indicator has linear mA and V input, rescaled for accurate display of process data.

With selectable input types, easy-to-adjust sampling time and various options for display, the indicator can be set up to meet a user's specific needs.

### Key Features

- User calibration
- Selectable sampling time
- Maximum and minimum measured value stored
- Maximum or minimum display modes
- High and low alarm limits
- CE marked



ENGLISH

## Specifications:

### Inputs

Input Type	Measurement Range		Measurement Accuracy	Input Impedance
	Min.	Max.		
0-1V DC voltage	0V	1.1V	±0,5% (of full scale)	Approx. 100kΩ
0-10V DC voltage	0V	12V	±0,5% (of full scale)	Approx. 100kΩ
0-20mA DC current	0mA	25mA	±0,5% (of full scale)	Approx. 10Ω
4-20mA DC current	0mA	25mA	±0,5% (of full scale)	Approx. 10Ω



While the current measuring mode, input impedance becomes 5Ω. Therefore, in current mode, the device must not be connected any voltage input. Otherwise, the device is broken. While the device is running in the voltage measurement mode and if required to change to current measurement mode, then firstly the voltage inputs must be removed and after that, input type must be changed to one of the current measurement modes.

### Environmental Conditions

<b>Ambient / Storage Temperature</b>	0 ... +50°C/-25 ... +70°C (with no icing).
<b>Max. Relative Humidity</b>	80% Relative humidity for temperatures up to 31°C, decreasing linearly to 50% at 40°C.
<b>Protection Class</b>	According to EN60529; Front panel : IP65 Rear Panel : IP20
<b>Height</b>	Max. 2000m

### Electrical Characteristics

<b>Supply Voltage</b>	230V AC +%10 -%20 or 24V AC/DC ±%10 50/60Hz
<b>Power Consumption</b>	Max. 7VA.
<b>Wiring</b>	2.5mm <sup>2</sup> screw-terminal connections
<b>Date Retention</b>	EEPROM (Min. 10 years).
<b>EMC</b>	EN 61326-1: 2013
<b>Safety Requirements</b>	EN 61010-1: 2010 (Pollution degree 2, overvoltage category II, measurement category I). ⚠ E12041 cannot be used if measurement category II, III or IV is required.

### Housing

<b>Housing Type</b>	Suitable for flush-panel mounting according to DIN 43 700.
<b>Dimensions</b>	H35xW77xD71mm
<b>Weight</b>	Approx. 350g (after packaging)
<b>Enclosure Material</b>	Self extinguishing plastics.



ENGLISH

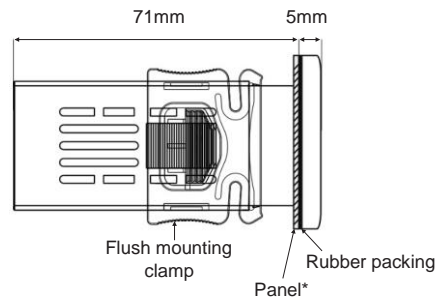
## Dimensions:

Front Fascia 35 x 77mm.

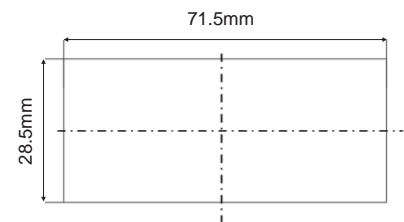
### Front



### Depth



### Panel cut-out



\*Panel thickness should be maximum 7mm.

## Ordering

### Stock Number

1241073

1241074

### Supply Voltage

230V ac

24V ac/dc