

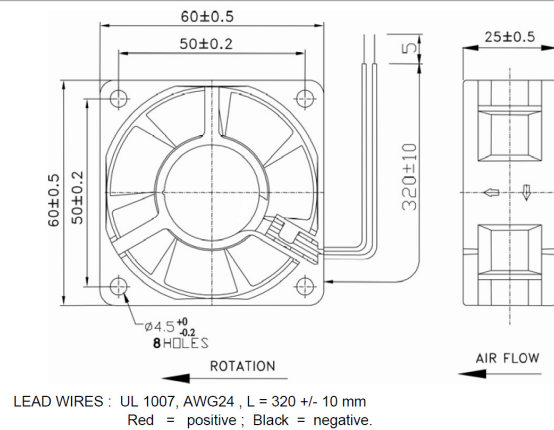


Datasheet

RS PRO DC FAN 60×25mm WITH IP55

Stock number: 175-9812

EN



Frame	PBT, UL94V-O plastic	<u>Operating Temperature</u> -10C ~ +70C	<p>Static Pressure ("H₂O)</p> <p>Airflow (CFM)</p> <table border="1"><thead><tr><th>Airflow (CFM)</th><th>Static Pressure ("H₂O)</th></tr></thead><tbody><tr><td>0</td><td>0.21</td></tr><tr><td>6</td><td>0.16</td></tr><tr><td>12</td><td>0.08</td></tr><tr><td>18</td><td>0.05</td></tr><tr><td>24</td><td>0.00</td></tr></tbody></table>	Airflow (CFM)	Static Pressure ("H ₂ O)	0	0.21	6	0.16	12	0.08	18	0.05	24	0.00
Airflow (CFM)	Static Pressure ("H ₂ O)														
0	0.21														
6	0.16														
12	0.08														
18	0.05														
24	0.00														
Impeller	PBT, UL94V-O plastic	<u>Storage Temperature</u> -40C ~ +70C													
Connection	Wire Leads, 24 AWG	<u>Life Expectancy</u> 70,000 hours (L10 at 40C)													
Motor	Brushless DC Motor, Polarity protected	IP55 Rated													
Bearing System	Dual ball bearing	Weight: ~ 0.053 Kgs (0.17 lbs)													
Insulation Resistance	10M ohm between leadwire and frame (500VDC).														
Dielectric Strength	1 min at 500 VAC														

Model Number	175-9812
Nominal Voltage	12 VDC
Voltage Range	10.8-13.2 VAC
Rated Power	2.76 W (60Hz)
Rated Speed (RPM)	4600
Airflow - CFM	24.78
Noise Level - (dB)	36.8
Max. Static Pressure	0.2" H ₂ O