

Features

- Push-pull latching system
- Chrome plated Brass
- IP68
- 360° Screening for full EMC shielding

RS PRO Industrial Circular Connectors

RS Stock No.: 2406419



RS PRO is the own brand of RS. The RS PRO Seal of Approval is your assurance of professional quality, a guarantee that every part is rigorously tested, inspected, and audited against demanding standards. Making RS PRO the Smart Choice for our customers.

Product Description

RS Pro's range of waterproof Chrome plated Brass push-pull locking connectors offer exceptional quality that is found in many cutting-edge connectors, including an IP68 rating and full 360° EMC shielding with a high mating life. As has become standard within the RS Pro brand you can expect high quality products but at a reasonable price. These connectors are ideal for use in medical devices, testing equipment, audio equipment and other high-end applications.

General Specifications

| | |
|--------------------|---|
| Number of Contacts | 6 |
| Housing Material | Chrome Plated Brass |
| Contact Material | Brass |
| Contact Plating | Gold |
| Contact Gender | Female |
| Mating Type | Cable Mount |
| Body Orientation | Straight |
| Contact Carrier | PPS |
| Mating Cycles | >5,000 |
| Colour | Natural |
| Application | Instrumentation, Process control, Robotics, Assembly lines and manufacturing, Factory automation, Industrial production and automation, Medical devices |

Electrical Specifications

| | |
|--|--------|
| Plug/Socket | Socket |
| Current Rating | 5.2A |
| Test Voltage Contact-Shell k/vAC | 1.05 |
| Test Voltage Contact – Contact k/v AC | 1.2 |

Mechanical Specifications

| | |
|--------------------|-------------|
| Connector Size | 1F |
| Termination Method | Solder |
| Mounting Type | Panel Mount |
| Panel Cut-Out | 14mm |

Operation Environment Specifications

| | |
|-----------------------|-----------------|
| Operating Temperature | -55°C to +250°C |
|-----------------------|-----------------|

Protection Category

| | |
|-----------|------|
| IP Rating | IP68 |
|-----------|------|

Approvals

| | |
|---------------------------|----------|
| Compliance/Certifications | RoHS, CE |
|---------------------------|----------|

FOR MATING PARTS, SEE MATRIX:



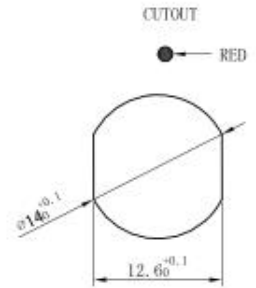
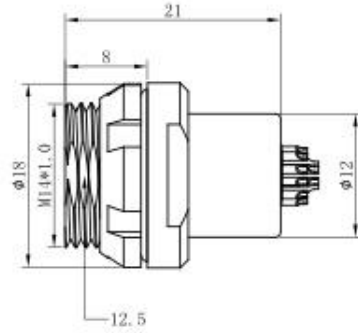
RM-F Series 1F

| Plug Cable End | | | Mates With | Panel Mount | | | Or | In-Line Cable End | | |
|----------------|-----------------|--------|------------|--------------|-----------------|--------|----|-------------------|-----------------|--------|
| RS Stock No. | No. of Contacts | Gender | | RS Stock No. | No. of Contacts | Gender | | RS Stock No. | No. of Contacts | Gender |
| 2406568 | 2 | Male | " | 2406414 | 2 | Female | " | 2406499 | 2 | Female |
| 2406569 | 3 | Male | " | 2406415 | 3 | Female | " | 2406500 | 3 | Female |
| 2406570 | 4 | Male | " | 2406417 | 4 | Female | " | 2406502 | 4 | Female |
| 2406571 | 5 | Male | " | 2406418 | 5 | Female | " | 2406503 | 5 | Female |
| 2406572 | 6 | Male | " | 2406419 | 6 | Female | " | 2406504 | 6 | Female |
| 2406574 | 7 | Male | " | 2406420 | 7 | Female | " | 2406505 | 7 | Female |
| 2406575 | 8 | Male | " | 2406421 | 8 | Female | " | 2406506 | 8 | Female |
| 2406576 | 10 | Male | " | 2406423 | 10 | Female | " | 2406507 | 10 | Female |
| 2406577 | 12 | Male | " | 2406424 | 12 | Female | " | 2406508 | 12 | Female |
| 2406578 | 14 | Male | " | 2406425 | 14 | Female | " | 2406509 | 14 | Female |
| 2406579 | 16 | Male | " | 2406426 | 16 | Female | " | 2406510 | 16 | Female |

The RS PRO Seal of Approval is only awarded after a rigorous quality process to demanding international standards.



Your smart choice



CONNECTOR SOLDER CUP VIEW

