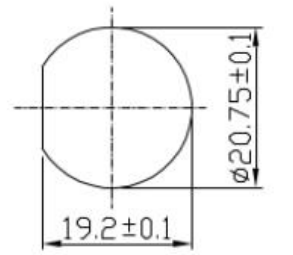
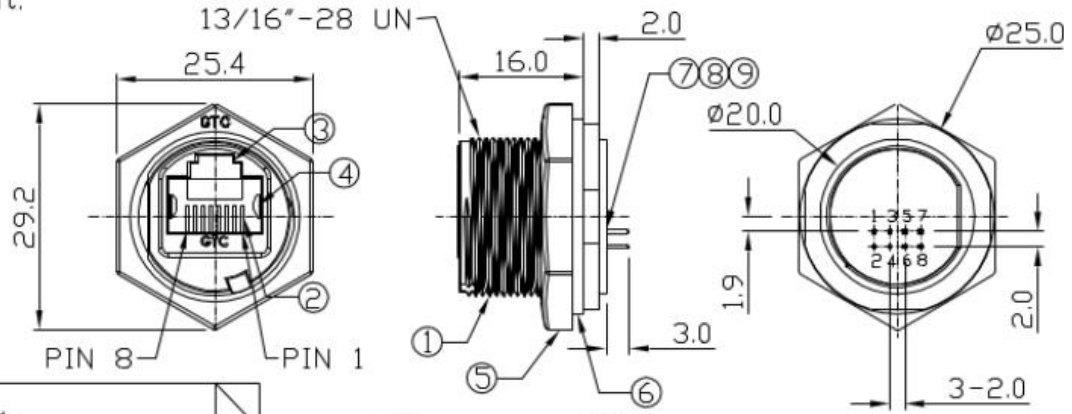




Notes: (Unless Otherwise Specified)

1. Waterproof Rate: IP67.
2. Recommend Panel Thickness: 0.8 to 4.0 mm
3. Recommend Torque: 14~15 kgF-cm
- ⚠ 4. Mating Cap P/N: 125-7929
5. RoHS Compliant.

REV	ECH#	DESCRIPTION OF REVISION	DRAW BY DATE	CHECK BY DATE	APPROVE BY DATE
A0		Mass Production	Karen 04/22/09	Roy 04/22/09	Roy 04/22/09
A1		Marked ⚠	Karen 11/11/09	Roy 11/11/09	Roy 11/11/09

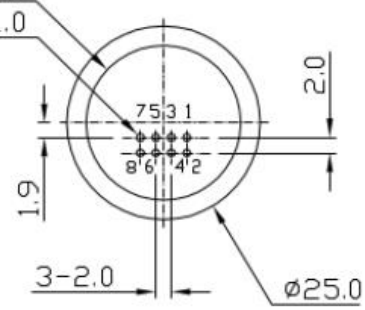


Recommended Panel Cut-Out

Mating Parts:
111-6737
111-6738

9	Que	Epoxy Color: Black	
8	Holder	Thermoplastic Color: Black	1
7	PCB	FR-4 Color: —	1
6	Gasket	Silicone Color: Black	1
5	Hex Nut	Thermoplastic Color: Black	1
4	EMI Shielded Plate	Copper Alloy Finish: Ni Plated	2
3	Holder	Thermoplastic Color: Black	1
2	RJ45 Receptacle	Housing: Thermoplastic, Color: Gray Contacts: Copper Alloy, Finish: Au Plated	1
1	Housing	Thermoplastic Color: Black	1
Item	Part Name	Material / Finish	Qty

PCB LAYOUT TOP VIEW



TITLE									
RJ45 Plastic C3 Panel Jack Dip 180° Screw									
THIRD ANGLE PROJECTION	SIZE	SCALE	DRAW / DATE	CHECK / DATE	APPROVE / DATE	TOLERANCES	UNIT	SHEET	
	B	1:1	Karen 04/22/09	Roy 04/22/09	Roy 04/22/09	XX ± 0.5 X.XX ± 0.2	mm	1/1	
						X.XXX ANGLES ± 0.05 ± 2°			

RS Stock No
111-6735