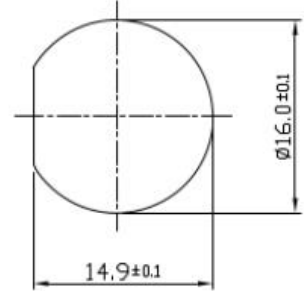
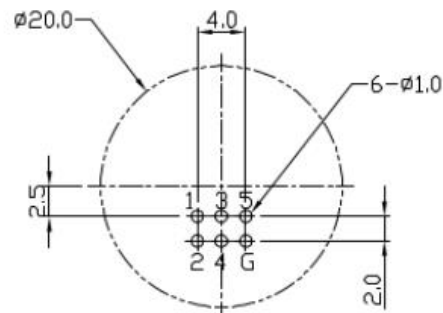
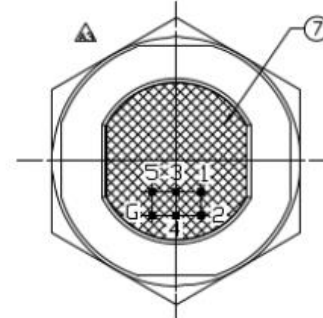
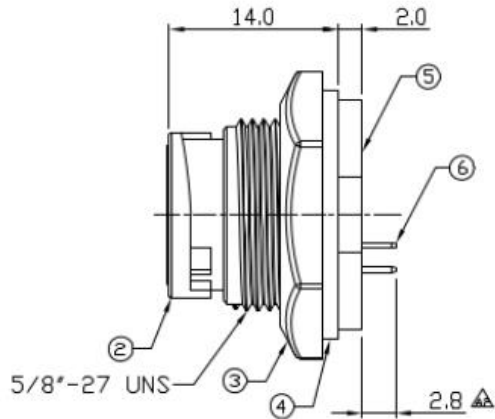
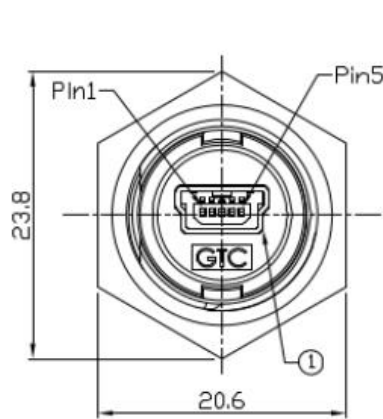




Notes: (Unless Otherwise Specified)

1. Waterproof Rate: IP67.
2. Recommend Panel Thickness: 0.8 to 3.0 mm.
3. Recommend Torque: 9~10 Kgf-cm.
4. Mating Cap P/N: 125-7925
5. RoHS Compliant.

REV	ECN#	DESCRIPTION OF REVISION	DRAW BY DATE	CHECK BY DATE	APPROVE BY DATE
A1	ECN-101104	Marked	Vicky 11/17/10	Ray 11/17/10	Ray 11/17/10
A2	ECN-110609	Marked	Joyce 06/28/11	Lucas 06/28/11	Ray 06/28/11
A3	ECN-140209	Marked	Joyce 02/20/14	Lucas 02/20/14	Ray 02/20/14



Mating Part:
122-3019

7	Glue	Epoxy Color: Black	
6	Pin Header	Housing: Thermal Plastic, Color: Black	1
		Contacts: Copper Alloy, Finish: Au Plated	
5	PCB	FR-4 Color: Green	1
4	Gasket	Silicone Color: Black	1
3	Hex Nut	Thermal Plastic Color: Black	1
2	Housing	Thermal Plastic Color: Black	1
1	Mini USB-B Receptacle	Housing: Thermal Plastic, Color: Black	1
		Contacts: Copper Alloy, Finish: Au Plated	
		Shell: Copper Alloy, Finish: Ni Plated	
Item	Part Name	Material / Finish	Qty

TITLE									
Mini USB-B Plastic C2 Panel Jack Dip Lock									
	B	2:1	Karen 05/21/09	Ray 05/21/09	Ray 05/21/09	XX ± 0.5 X.XX ± 0.2	X.XXX ± 0.05 X.XX ± 1°	mm	1/1
THIRD ANGLE PROJECTION	SIZE	SCALE	DRAW / DATE	CHECK / DATE	APPROVE / DATE	TOLERANCES		UNIT	SHEET

RS Stock No 111-6757
