

## FEATURES

- Glass cartridge
- 5mm x 20mm cartridge size
- T Speed Rating
- Anti-surge
- Low Breaking Capacity

## RS PRO, 3A Glass Cartridge Fuse, 5 x 20mm, Speed T

RS Stock No.: 668-6007



RS Professionally Approved Products bring to you professional quality parts across all product categories. Our product range has been tested by engineers and provides a comparable quality to the leading brands without paying a premium price.

## Product Description

Glass cartridge fuses are ideal for providing protection to devices or internal circuits from short circuits and overcurrent. They are deliberately weaker components which, when too much current is drawn, will blow. Once the fuse has blown it will need replacing in order to make the circuit complete and allow the flow of current.

## General Specifications

<b>Lead wire</b>	Diameter Ø0.8mm 14A and less, Diameter Ø1.0mm for rating above 15A to 19A, Diameter Ø1.0mm for rating above 20A
<b>Fuse Speed</b>	T
<b>Body Material</b>	Glass
<b>Applications</b>	Industrial, Commercial, Home/Residential, Automotive

## Electrical Specifications

<b>Current Rating</b>	3A
<b>Voltage Rating</b>	250V ac

## Mechanical Specifications

<b>Fuse Size</b>	5mm x 20mm
<b>Overall Length</b>	20mm
<b>Diameter</b>	5mm

## Operation Environment Specifications

Maximum Operating Temperature	125°C
Minimum Operating Temperature	-55°C

## Approvals

Compliance/Certifications	CSA
---------------------------	-----

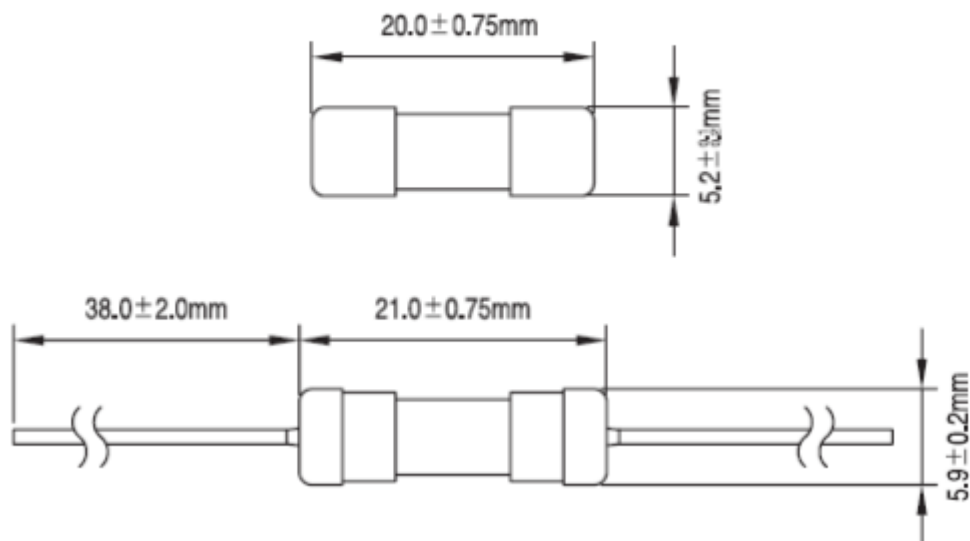


GSL

GST-A



**Drawing (mm):**



**Electrical Characteristic:**

Rated Current	1 In	1.35In	2 In	
	MIN	MAX	MIN	MAX
10mA~20A	4 hr	1 hr	3 sec	120 sec