

Datasheet

RS PRO Compact Economy, regulated, 240 W

Stock No: 192-7575



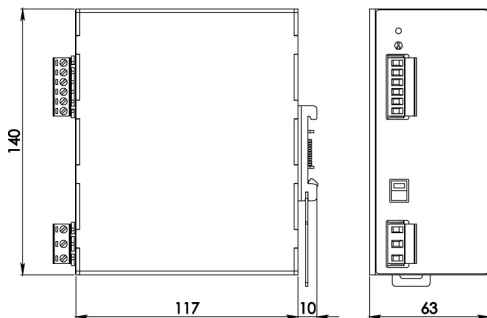
Technical Specifications:

Input	
Number of phases	1
Rated voltage U_N	AC 120/240 V (manual)
Operation voltage range	AC 90–132 V / AC 187–264 V, DC 270–345 V
Line frequency	47–63 Hz
Rated current I_N	4 A @ AC 120 V / 2 A @ AC 240 V
Inrush current	<40 A
Internal fuse	T6, 3 A/AC 250 V
External fuse	Mini-circuit breaker: C 10 A / Safety fuse: T 10 A
Power factor correction P.F.C.	>0.6

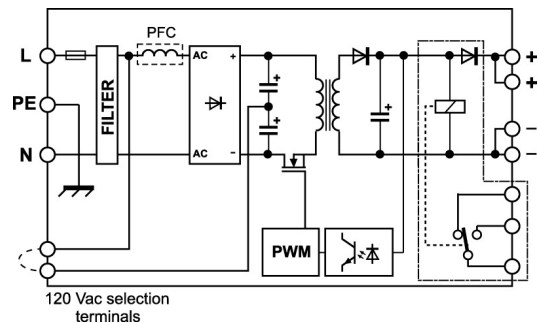
Features & Benefits:

- 1 piece
- Power supply
- Compact Economy, regulated, 240 W
- Primary switchmode power supply, PFC, Single-phase
- Input: AC 90–132 V, AC 187–264 V, DC 270–345 V
- Output: 24 V, adjustable

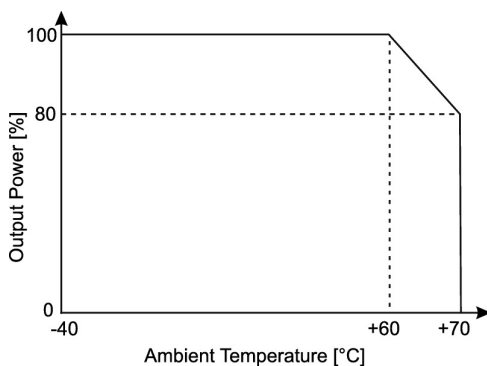
Dimensions



PIN assignment

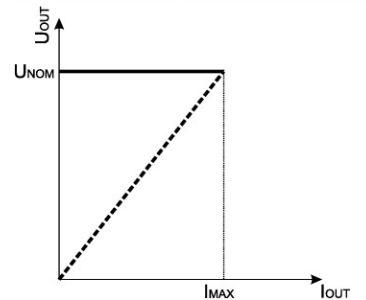


Derating

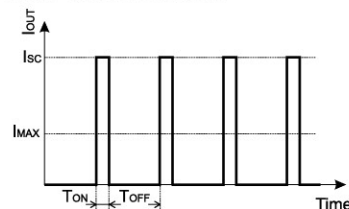


Short circuit characteristics

Hiccup limitation output characteristic



Short circuit conditions



Technical Data

Input	
Number of phases	1
Rated voltage U_N	AC 120/240 V (manual)
Operation voltage range	AC 90–132 V / AC 187–264 V, DC 270–345 V
Line frequency	47–63 Hz
Rated current I_N	4 A @ AC 120 V / 2 A @ AC 240 V
Inrush current	<40 A
Internal fuse	T6, 3 A/AC 250 V
External fuse	Mini-circuit breaker: C 10 A / Safety fuse: T 10 A
Power factor correction P.F.C.	>0.6

Output	
Rated voltage U_N	DC24V
Rated current I_N	10 A
Max. output current	13.5 A, 30 s
Heat dissipation	<35 W
Setting range $U_{out\ min.}/U_{out\ max.}$	DC 23–27.5 V
Load regulation	<1 %
Ripple and Noise	<100 mV pp
Hold up time	>60 ms @ AC 120 V / >70 ms @ AC 240 V
Status indication DC ON LED green	≥ 21.6 V
Status indication DC LOW LED red	≤ 21.6 V
Parallel / redundant mode	yes/via external decoupling diode e.g. 722999
Efficiency	>87 %
Overtemperature protection	yes
Over voltage protection	>DC 33 V ($U_A=24$ V)
Short circuit	Hiccup Mode

Technical Data

Monitoring	
DC ON Control (Rdy)	N/O contact
Switching voltage	AC 300 V / DC 150 V
Switching current	AC/DC 1 A
Switching capacity	300 VA / 30 W
Isolation voltage	AC 500 V

General	
Insulation voltage input / output	DC 4.2 kV
Insulation voltage input / ground	DC 2.2 kV
Insulation voltage output / ground	DC 750 V
Derating	>60 °C: -5 W/°C
Operation temperature range	-40 °C ... +70 °C (UL certified up to +50 °C)
Storage temperature range	-40°C...80°C
Cooling	Air convection, 50 mm distance top/bottom, 20 mm side
Housing material	Aluminum
Mounting	DIN rail mountable TS35 (EN 60715)
Installation position	vertical
Protection class	IP20 (IEC 529 / EN 60529)
Over voltage category	III
Degree of pollution	2
Weight	0,75 kg/piece
Connection type	Screw terminal 0.20 mm ² – 2.5 mm ² plug-in
Dimensions (w × h × d)	63×140×139 mm
Certifications	cULus (E249179)
Standards	IEC 950 EN 60950 UL 60950 EN 61000-6-2 EN 61000-6-4 EN 61000-4-2/3/4/5/6/11
PU	1 piece