

Bishamon



Model No.	Capacity (Kg)	Width (mm)		Length (mm)		Height (mm)		Length (mm)		Weight (Kgs.)
		A ₁	B ₁	D ₁	D ₂	A ₂	B ₂	B ₃		
BM25M	2500kg	520	1,070	80	200	214	935	785	89	
BM25LL		685	1,220	80	200	379	1,085	935	99	



DOWN

NEUTRAL

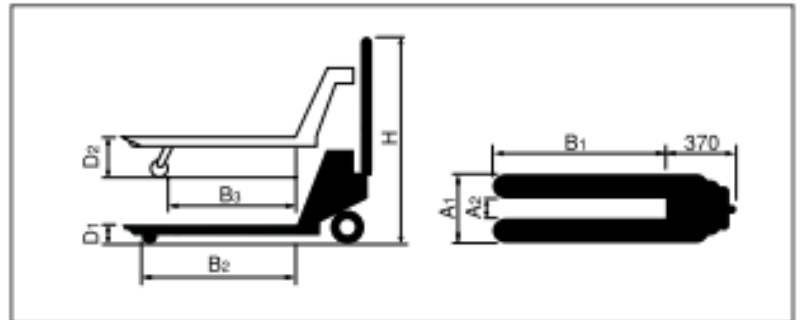
UP

Comfortable Molded Grip Handle

Molded handle design provides comfort and a strong grip

3 Position Fingertip Control

3 position Control Lever provides easy fingertip control of complete hydraulic system



MADE  JAPAN