
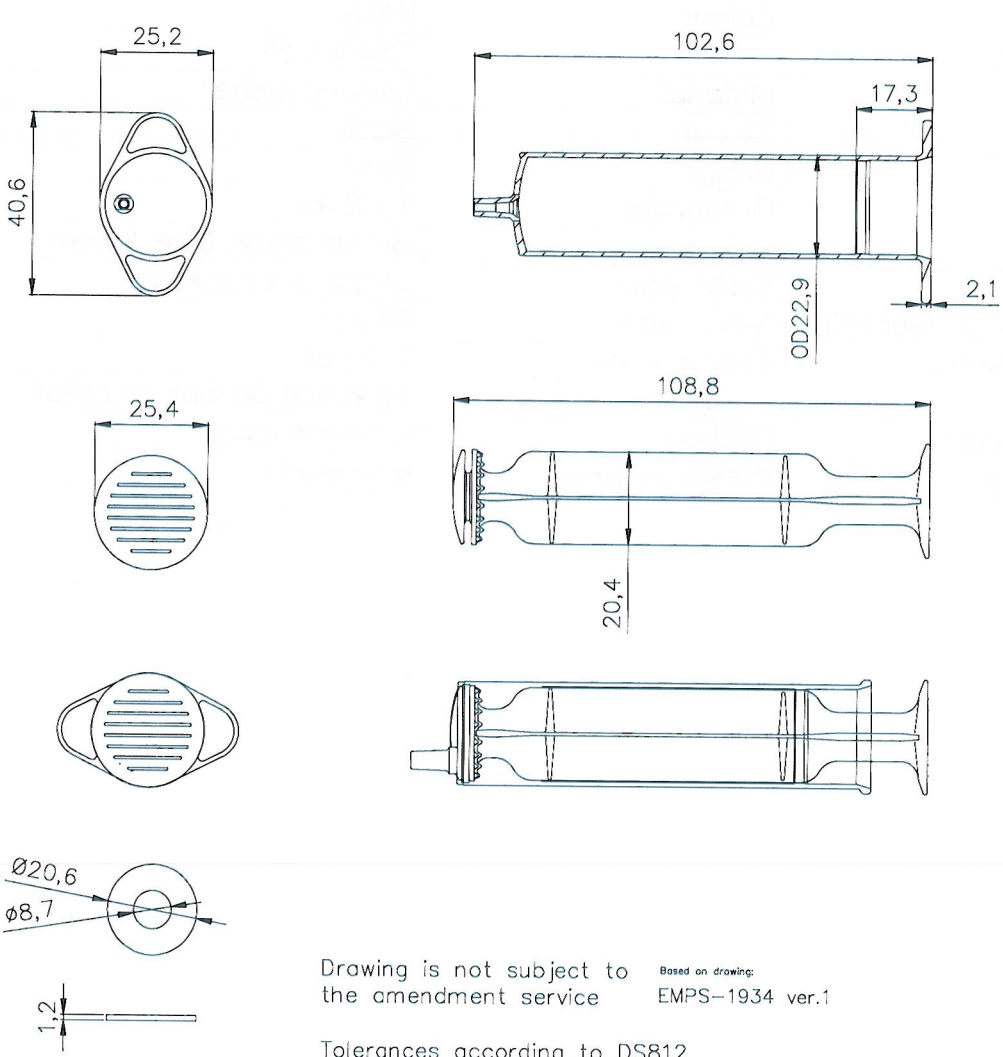


CODAN Medical ApS	PROCESSES RELATED TO CUSTOMERS	 CODAN
	Product specification Sterile syringes	
Valid: 14-07-2011	B04.03A rev 1	Page 1 of 2

Product	20 ml luer excentric	Item no.	62.70xx-62.76xx
---------	----------------------	----------	-----------------

Drawing:




Drawing is not subject to the amendment service

Based on drawing: EMPS-1934 ver.1

Tolerances according to DS812

The drawing is part of this product specification. It must not be duplicated or disclosed to others unless expressly authorized by CODAN. The recipient or a third party are in no way allowed to use them improperly.

Apprv. date/sign	F: R&D Manager	17.08.2012	<i>Jb Jacobsen</i>
Apprv. date/sign	Quality Assurance Manager	17.08.2012	<i>Jytte Hjeltnes</i>

CODAN Medical ApS	PROCESSES RELATED TO CUSTOMERS	
	Product specification Sterile syringes	
Valid: 14-07-2011	B04.03A rev 1	Page 2 of 2

List of materials		
Barrel	Cone	6% luer excentric
	Material	Polypropylene
	Colour	Natural clear
Plunger	Material	Polypropylene
	Colour	White
Lubricant		Silicone oil
Piston	Material	Silicone rubber
	Colour	Black
Scale	Range	20 ml
	Graduation	1 – 2 ml
	Colour	Green, black, blue, brown
Packaging/ Packaging Specification	Blister pack	Single-unit package
	Shelf carton	50 pcs.
	Export carton	800 pcs.
	Palletizing	16 export cartons on pallet
Sterilization	Method	Ethylene oxide
Remarks	Waste disposal	Incineration

Version no. 1