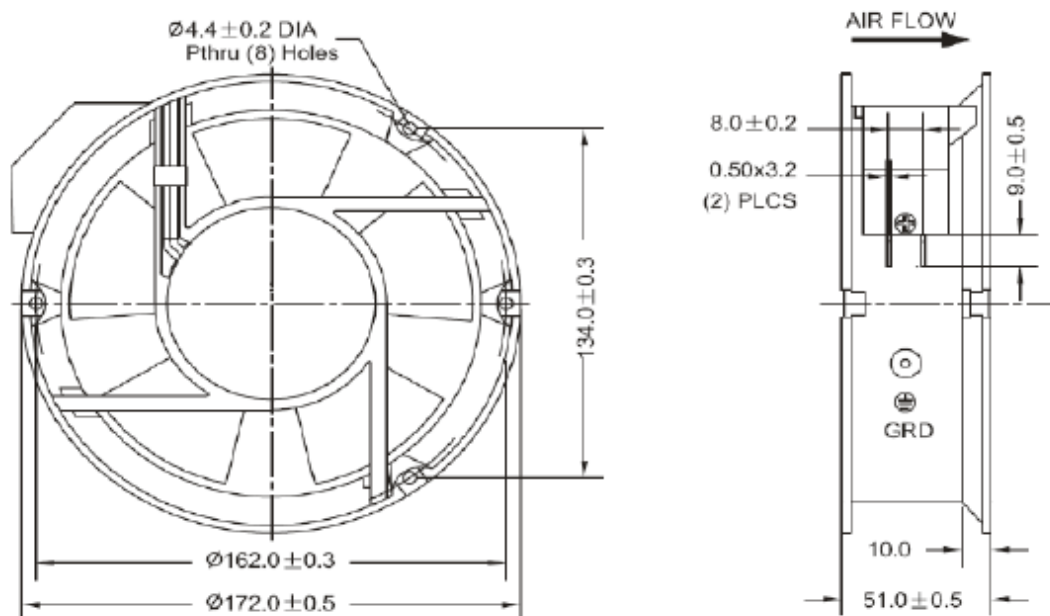


Datasheet

AC Axial Fan, 172 Dia. x 51mm, 510m/h, 50W, 115 V ac (OA172 Series)

RS Stock number [619-6810](#)

Drawing(mm):



*Drawing for Dimensional Reference Only

RS Part Number	Speed (RPM)	Airflow (CFM)	Noise (db)	Volts (AC)	Voltage Range	Watts	Lead Type
6196810	3300	300	61	120	80~130	50	Terminal
6196860	3300	300	61	230	160~260	50	Terminal

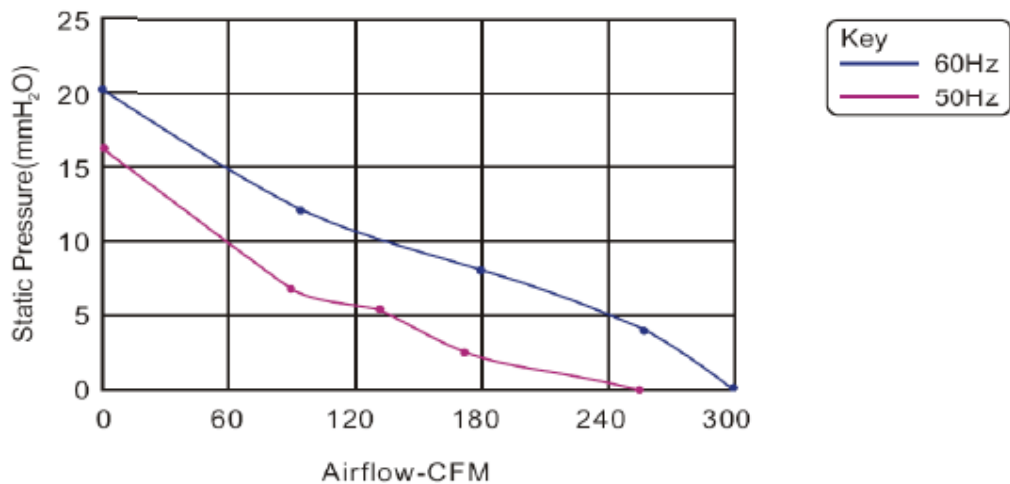
Data Tolerance +/- 10%



Frame
Aluminum Die Cast, Black

Impeller
PBT, UL94V-0 Thermoplastic

Finger Guard: G172-10HA, G172-10H, G172-10LN
Plastic Guard: G172-10P
Wire Mesh Guard: WMG172M
Filter Kit: GRM172-45



DIELECTRIC STRENGTH
1 minute@1500 VAC, 50/60 Hz

LIFE EXPECTANCY (L10)
Ball Bearing 60,000 Hours

Operating Temperature
-10C ~ +70C

Safety Approvals
UL/CUL, TUV, CE