



ENGLISH

## Datasheet

# RS PRO Axial Fan

Stock No: 1444131, 1444133, 1444132, 1444134

### OD1232 Series

DC Fan - 12V, 24V, 48V  
120 x 32mm (4.7.62 x 1.25in)

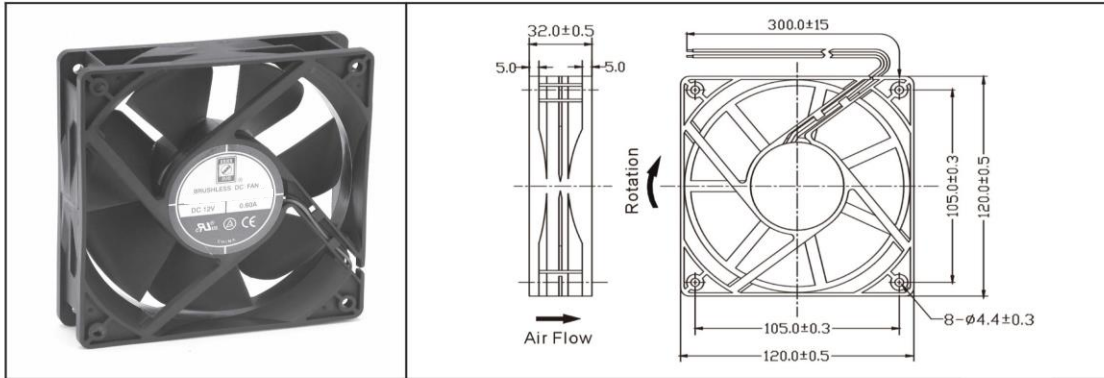


Model #	Pg #	Voltage	RPM	CFM	Noise Level	Max Static Pressure
6196517	2	12 VDC	3750	120	51 dB	.42 H <sub>2</sub> O
5415429	2	12 VDC	3300	107	48 dB	.33 H <sub>2</sub> O
5415435	2	24 VDC	3750	120	51 dB	.42 H <sub>2</sub> O
1444131	2	24 VDC	2900	93	44 dB	.27 H <sub>2</sub> O
1444133	2	48 VDC	2900	93	44 dB	.27 H <sub>2</sub> O
1444132	2	24 VDC	3300	107	48 dB	.33 H <sub>2</sub> O
1444134	2	48 VDC	3300	107	48 dB	.33 H <sub>2</sub> O



## OD1232 Series

DC Fan - 12, 24, 48V  
120x32mm (4.7"x 1.25")



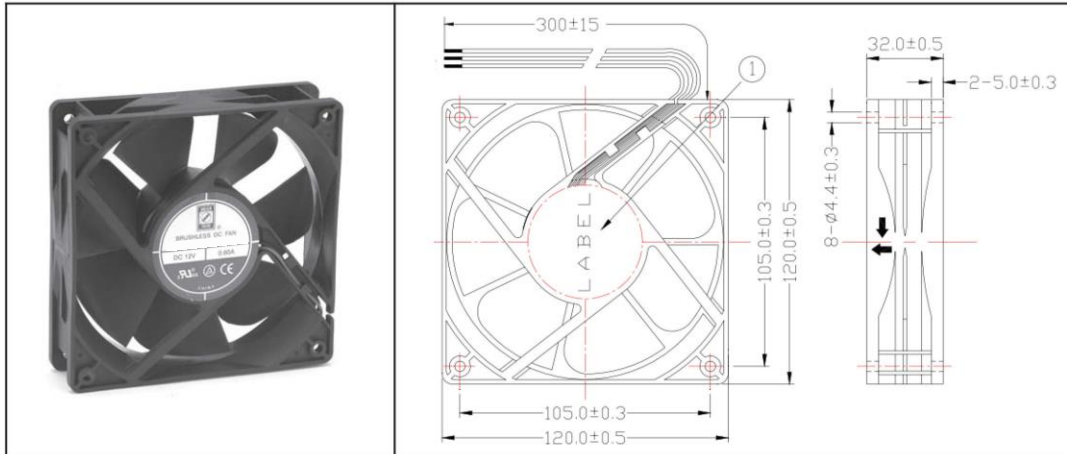
Frame & Impeller	PBT, UL94V-0 plastic	<b>Available Options:</b> Tachometer (FG) Alarm (RD) Thermal Speed Control PWM Input Life Expectancy (L10) Ball Bearing 60,000 hours (L10 at 40C) Sleeve Bearing 30,000 hours (L10 at 40C) Operating Temperature Ball Bearing -20C ~ +75C Sleeve Bearing -10C ~ +50C Weight: ~0.47 lbs m4	
Connection	2x Lead wires		
Motor	Brushless DC, auto restart, polarity protected		
Bearing System	Dual Ball or Sleeve		
Insulation Resistance	10M ohm between leadwire and frame (500VDC)		
Dielectric Strength	1 minute at 500 VAC, max leakage < 500 MicroAmp		
Storage Temperature	-40C ~ +80C		

Model #	Pg #	Voltage	RPM	CFM	Noise Level	Max Static Pressure
6196517	2	12 VDC	3750	120	51 dB	.42 H <sub>2</sub> O
5415429	2	12 VDC	3300	107	48 dB	.33 H <sub>2</sub> O
5415435	2	24 VDC	3750	120	51 dB	.42 H <sub>2</sub> O
1444131	2	24 VDC	2900	93	44 dB	.27 H <sub>2</sub> O
1444133	2	48 VDC	2900	93	44 dB	.27 H <sub>2</sub> O
1444132	2	24 VDC	3300	107	48 dB	.33 H <sub>2</sub> O
1444134	2	48 VDC	3300	107	48 dB	.33 H <sub>2</sub> O



1444132

DC Fan, 24VDC  
120x32mm (4.7.62x1.25in)



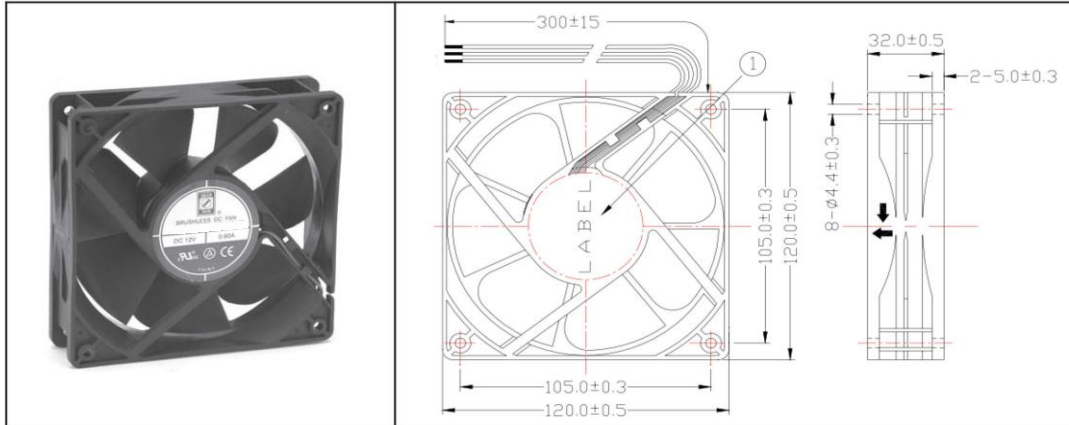
Frame & Impeller	PBT, UL94V-0 plastic	<b>Available Options</b> IP55 Other speeds and voltages Tachometer PWM  *Connection: Wire Leads - UL1007 24AWG Red(+), Black (-), Yellow Alarm  Weight: 250 g	
Connection	3x Lead wires *		
Motor	Brushless DC, auto restart, polarity protected.		
Bearing System	Dual ball bearing		
Insulation Resistance	Min. 10M at 500VDC		
Dielectric Strength	1 second at 500VAC max leakage 500 microamp		
Temperature Range	-10C ~ +70C		
Storage Temperature	-40C ~ +80C		
Life (L10)	70,000 hours (40C)		

Model Number	1444132		
Part Number	124231231		
Nominal Voltage	24 VDC		
Voltage Range	12~27.6 VDC		
Nominal Current	.22 A		
Rated Power	5.28Watts		
Rated Speed (RPM)	3300		
Airflow (CFM)	107		
Noise Level (dB)	48		
Max. Static Pressure	.33 "H <sub>2</sub> O		
			Output Type : Open Collect $V_{CE(sat)}=0.5V(\text{Max.})$ $V_{RO} = \text{Maxi mum operation voltage}$ $I_c=5mA(\text{Max.})$ $R \geq V_{RO}/I_c$



1444132

DC Fan, 24VDC  
120x32mm (4.7.62x1.25in)



Frame & Impeller	PBT, UL94V-0 plastic	<b>Available Options</b> IP55 Other speeds and voltages Tachometer PWM  *Connection: Wire Leads - UL1007 24AWG Red(+), Black (-), Yellow Alarm  Weight: 250 g	
Connection	3x Lead wires *		
Motor	Brushless DC, auto restart, polarity protected.		
Bearing System	Dual ball bearing		
Insulation Resistance	Min. 10M at 500VDC		
Dielectric Strength	1 second at 500VAC max leakage 500 microamp		
Temperature Range	-10C ~ +70C		
Storage Temperature	-40C ~ +80C		
Life (L10)	70,000 hours (40C)		

Model Number	1444132	
Part Number	124231231	
Nominal Voltage	24 VDC	
Voltage Range	12~27.6 VDC	
Nominal Current	.22 A	<b>Output Type : Open Collect</b> $V_{CE(sat)}=0.5V(\text{Max.})$ $V_{RD} = \text{Maximum operation voltage}$ $I_c=5mA(\text{Max.})$ $R \geq V_{RD}/I_c$
Rated Power	5.28Watts	
Rated Speed (RPM)	3300	
Airflow (CFM)	107	
Noise Level (dB)	48	
Max. Static Pressure	.33 "H <sub>2</sub> O	