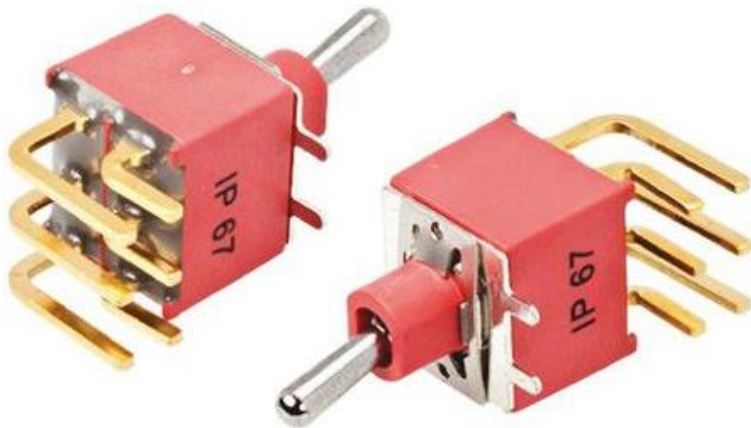


Datasheet

DPDT Toggle Switch, ON-OFF-ON

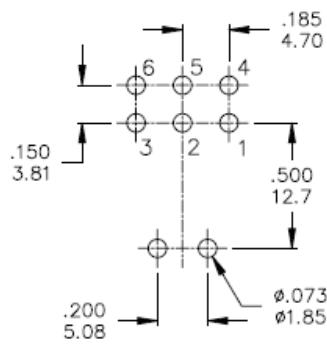
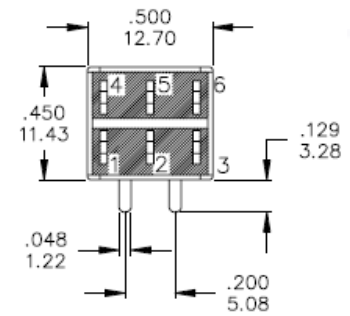
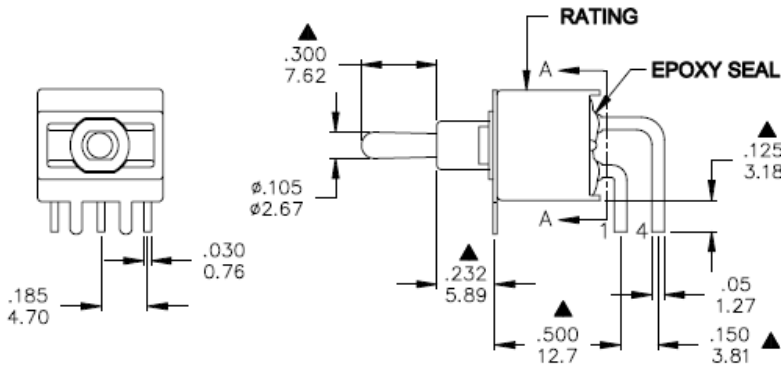
RS Stock number 734-6952



Specifications:

MECHANICAL LIFE:	30,000 make-and-break cycles.
CONTACT RESISTANCE:	10m Ω max. Initial @ 2-4VDC 100mA for both silver and gold plated contacts.
INSULATION RESISTANCE:	1,000 M Ω min.
DIELECTRIC STRENGTH:	1,000Vrms min. @ sea level.
OPERATING TEMPERATURE:	-30°C to 85°C.
HOUSING AND BASE:	Glass filled nylon 6/6, flame retardant, heat stabilized (UL94V-0)
ACTUATOR:	Brass, chrome plated with internal, o-ring standard
SWITCH SUPPORT:	Brass or steel, tin plated
SWITCH SUPPORT RETAINER:	Stainless steel.
CONTACT/TERMINAL:	Copper alloy, with silver or gold plated
RoHS:	2002/95/EC

**Dimensions – inch
mm**



P.C. MOUNTING

Model No.	POS.1	POS.2	POS.3
1AD4	MOM	OFF	MOM
Term. Comm.	2-3, 5-6	OPEN	2-1, 5-4
SCHMATIC			

SWITCH FUNCTION