



ENGLISH

Datasheet

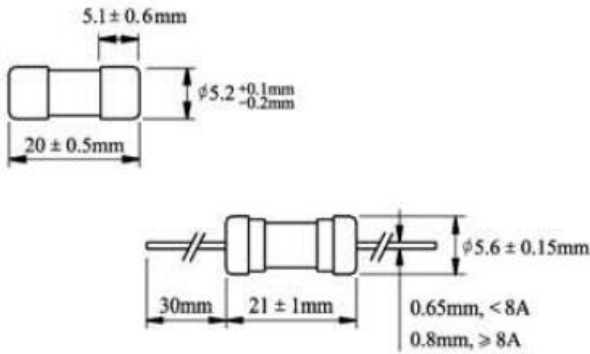
Conquer 5 x 20 mm T Cartridge Fuse, 0.16 A, 250 V ac

RS Stock Number: 610-9866

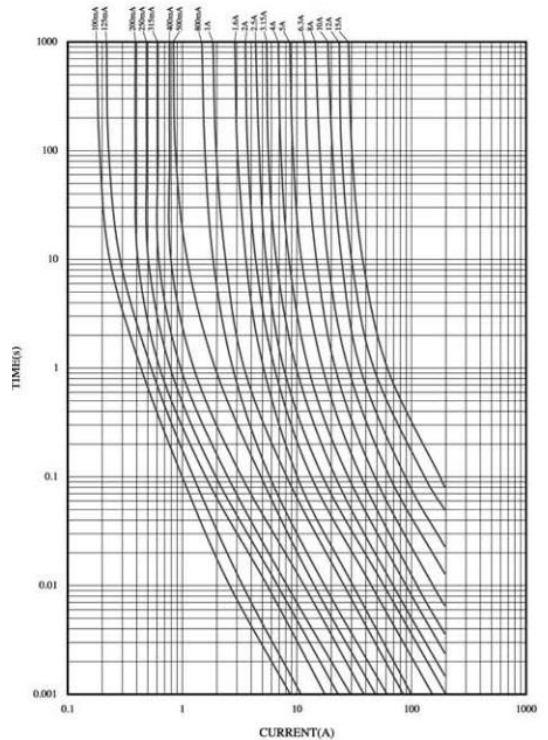
Part Number: VBS USL 250mA 250V (05)



Dimensions: (mm)



50T RoHS I-T CHARACTERISTICS CURVE
50T RoHS



Specifications

BREAKING CAPACITY:
35A OR 10In WHICHEVER IS GREATER

ELECTRICAL CHARACTERISTICS:

RATING	BLOWING TIME	
	32-100mA	125mA-15A
2.1In	Max	2min
	Min	200ms
2.75In	Max	10sec
	Min	40ms
4In	Max	3sec
	Min	10ms
10In	Max	300ms
	Min	20ms

UL File Number: E82636