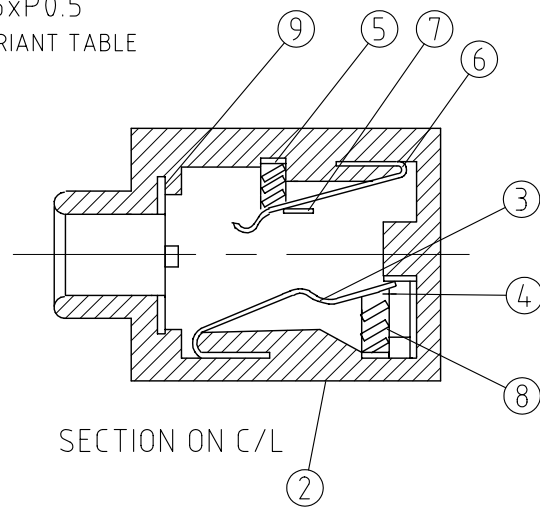
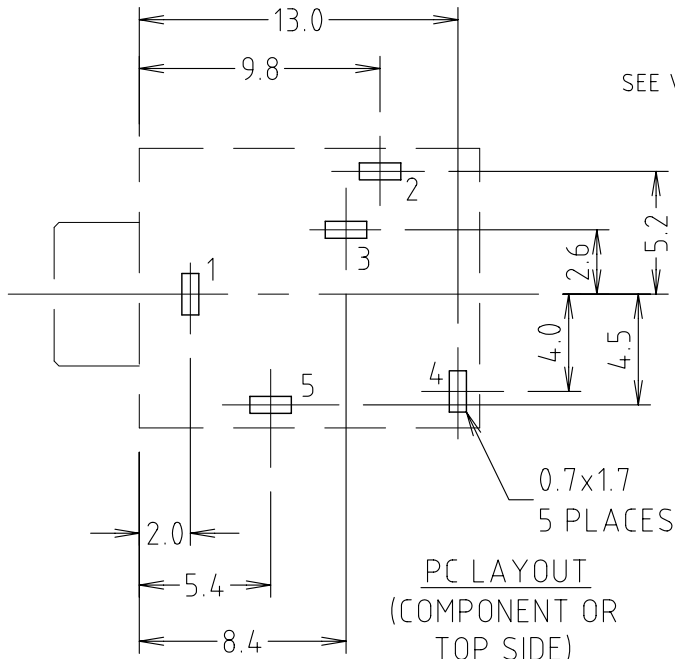
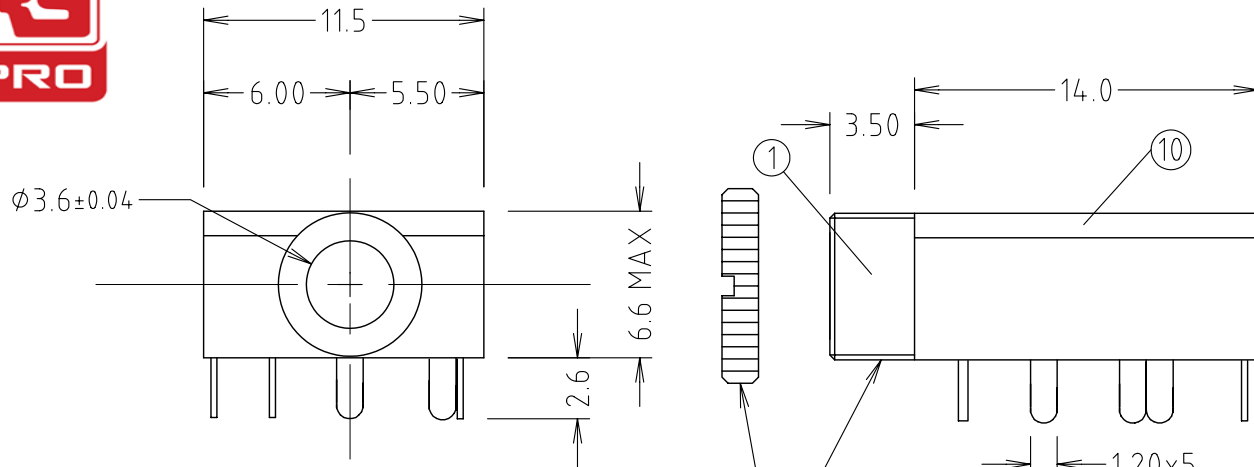
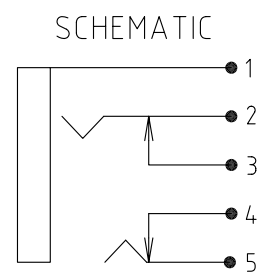




ISS.	AMEND	DATE
1	REDRAWN	08/12/89
2	ERROR CORRECT	27/06/90
3	FT6321 ADDED	26/03/99
4	NUT ADDED	04/03/10



ITEM	PART NAME	QTY	MATERIAL	FINISH
1	METAL BUSH	1	BsBm Ø6	Ni-3µ
2	HOUSING	1	PBT UL94-V0	
3	CONTACT 5	1	PBR2-H025t	Ag
4	CONTACT 4	1	BsR2-H03t	Ag
5	SPRING B	1	SWRS	
6	CONTACT 2	1	BsR2-H03t	Ag
7	CONTACT 3	1	BsR2-H03t	Ag
8	SPRING A	1	SWRS	
9	EARTH TERM 1	1	BsR2-H04t	Ag
10	COVER	1	PC UL94V2	



VARIANTS	
MODEL	WITH NUT
JYS35	YES
JYS35 (PLAIN BUSH)	NO

NOTE: PLAIN BUSH VERSION HAS Ø6.0

RoHS
COMPLIANT

TOLERANCE
 NO DEC. PLACE ±0.50
 1 DEC. PLACE ±0.20
 2 DEC. PLACE ±0.10
 HOLE Ø ±0.10
 ANGLES ±1/2°
 UNLESS OTHERWISE STATED

DIMENSIONS IN MILLIMETERS UNLESS OTHERWISE STATED. WORK TO DIMENSIONS. REMOVE ALL BURRS. IF IN DOUBT ASK. 3rd ANGLE PROJECTION:

MATERIAL: COMPOSITE SEE TABLE TITLE: 3.5mm STEREO JACK SOCKET JYS35

FINISH: AS TABLE DRAWN: C.A.M.J. APPROVED: R.W.T. DRWG. No. FORM: A4DRWGH