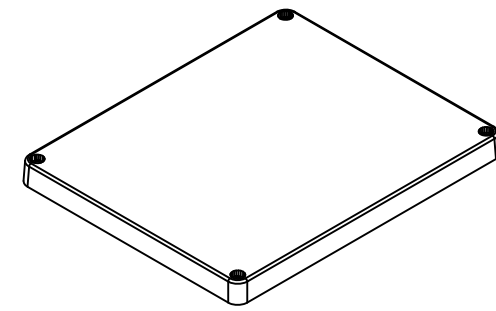
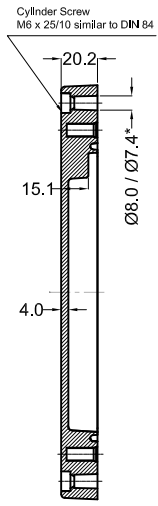
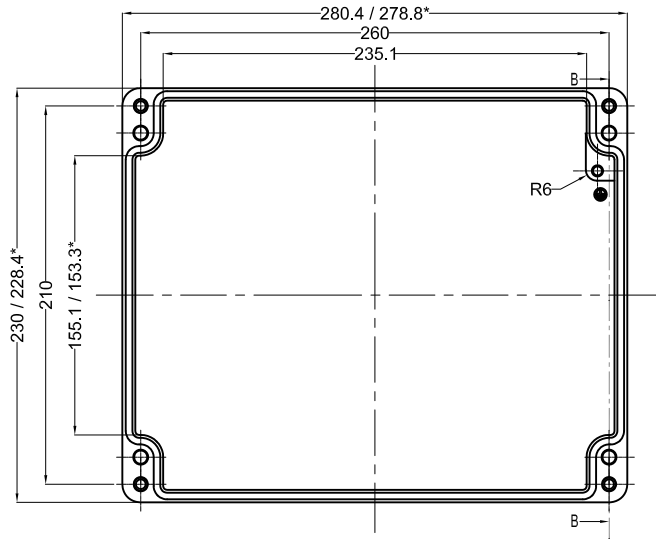
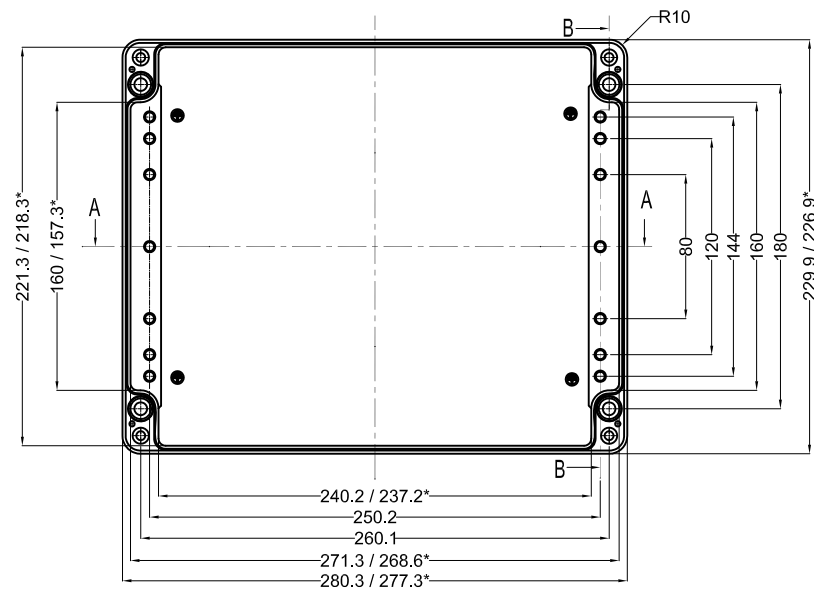


* = Conical form tapering downward.
 Untoleranced dimensions per GTA 13/5 - DIN 1688

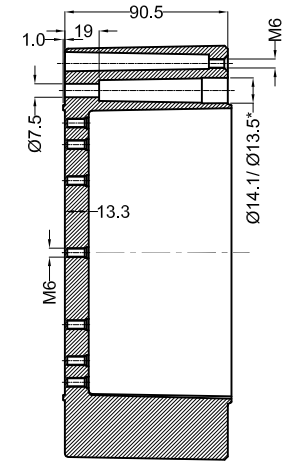
LIB



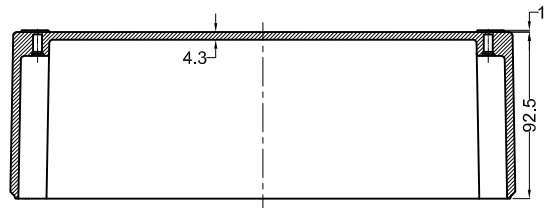
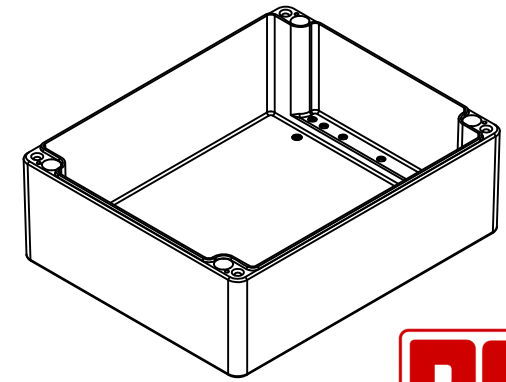
BASE



SECTION B-B



SECTION B-B



SECTION A-A



QUANTITY 1	MATERIAL :- ALs112 (Din230)	MACH.NAME -	DATE 12/06/12	SIGN MANOJ	NAME DRAWN
 TOLERANCE ±0.2 DIMENSIONS ±0.2 HOLES ±1.0° ANGLES	WEIGHT: -	FINISH: NATURAL	TITLE :- JUNCTION BOX 280 x 230 x 110	DATE 12/06/12	NAME PAVAN CHECKED
	ALL DIMENSION ARE IN MM		SCALE -	PARTNO. 0	DRG. NO. AJB-280230110