

Smoke Detector (HFAD)

Safehome GS508 - 10 Year

- Photoelectric technology – Greatly reduces the amount of false alarms.
- 3 Year Limited Smoke Detector Warranty
- End of life warning – “Chirps” with red LED flash once every 40 seconds.
- Installation by drilling or magnet – 2 convenient methods of installation



The SafeHome GS508 is a battery operated smoke detector which utilises a photoelectric sensor. Photoelectric technology allows the detector to be more sensitive to detecting slow smoldering fires which generate thick black smoke and little heat.

The built in battery that comes with the smoke detector has a minimum lifespan of **10 years**.

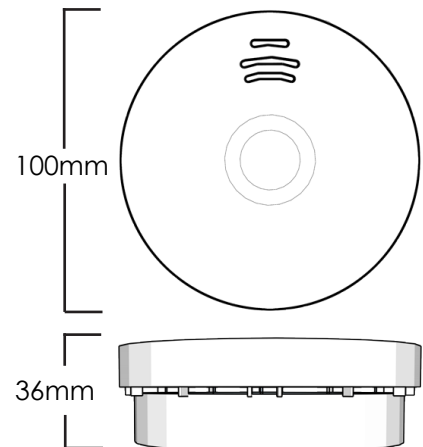
When low on battery, the smoke detector produces a chirping sound as a reminder for replacement.

Installation can be done in 2 convenient methods. Either fasten the base of the smoke detector to the ceiling with a screws drilled into the wall, or use the optional magnet with self-adhesive on a clean smooth surface (Purchased separately).

Backed by a 3 year limited 1 to 1 warranty, we guarantee the quality of this valuable, life-saving product.



MODEL	SAFEHOME GS508
Power	Built In DC3V (Non-replaceable)
Sensor	Photoelectric
Size	100mm x 36mm
Current	<8uA (standby) <50mA (alarm)
Volume	>85dB(A) at 3 meters
Sensitivity	0.10-0.16dB/m



Ordering Information

MODEL	DESCRIPTION	PART NO
Safe Home GS508 – 10 Year	Built In DC3V (CR123A) included.	ACC-SH-508
Safe Home Magnet	Magnetic base with self-adhesive for tool-less easy installation.	ACC-SW-MAG