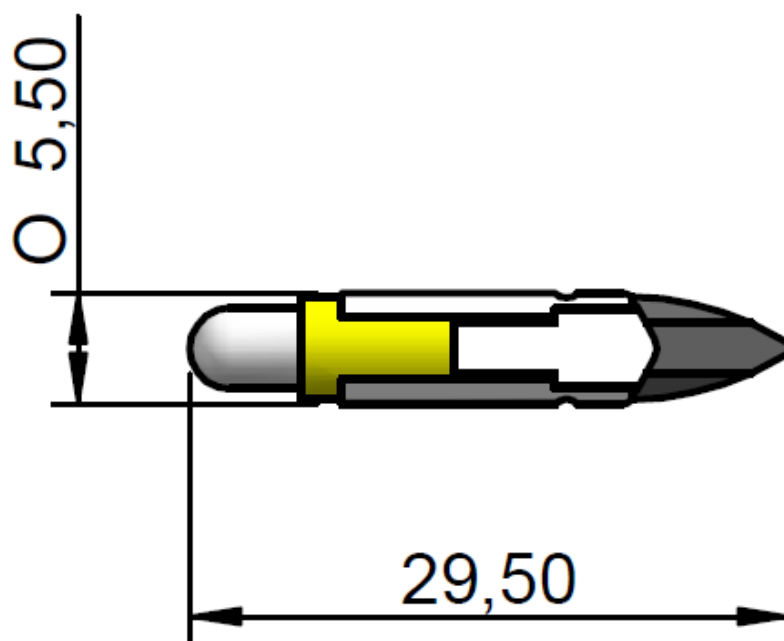


## Datasheet

### Telephone Slide LED Indicator Lamp

RS Stock number 204-221

#### Dimensions (mm):



#### Specifications:

LED/Multiled	LED
Mounting Size	-
Mounting Finish	-
Protection	-
Mount Holder	T5.5 SlideBase
Chip Qty	1
Indicator Colour	Yellow
Optimum Voltage (V)	24V dc
Rectifier	-

AC Current	-
DC Current	15mA
Voltage Tolerance	10%
Optimum Temperature	-30°C ... +60°C
Storage Temperature	-30°C...+60°C
Contact Tab	T5.5 Slide bar
Wavelength (nm)	592
Intensity	300mcd