

FEATURES

- **Stainless steel - superior corrosion resistance**
- **Suited to higher pressure and temperature applications**
- **Investment casting**
- **Blow-out proof stem - protects the operator**
- **Anti-static device (option)**

RS PRO Stainless Steel High Pressure Ball Valve 1-1/4 in BSPF 2 Way

RS Stock No.: 499-2824



RS Professionally Approved Products bring to you professional quality parts across all product categories. Our product range has been tested by engineers and provides a comparable quality to the leading brands without paying a premium price.

Product Description

Introducing the RS PRO general purpose manual ball valve designed for industrial applications. Manual ball valves are used to operate shut off valves which control water flow and pressure.

Available in a variety of sizes:

499-2789 - 1/4 inch BSPP F-F
 499-2795 - 1/2 inch BSPP F-F
 499-2802 - 3/4 inch BSPP F-F
 499-2818 - 1 inch BSPP F-F
 499-2824 - 1-1/4 inch BSPP F-F
 499-2830 - 1-1/2 inch BSPP F-F
 499-2846 - 2 inch BSPP F-F

General Specifications

Threaded Connection	1-1/4 in BSPP
Attachment Type	Threaded
Body Material	ASTM A351-CF8M
Thread Size	1-1/4in
Safe For Use With	Gas, Oil, Water
Ball Material	ASTM A351-CF8M
Thread Standard	BSPP
Handle Material	AISI 304
Type	2 Way
Application	Heating systems; Water treatment; Liquid flow control

Mechanical Specifications

Connection Size	32mm
------------------------	------

Operation Environment Specifications

Working Temperature	-20°C to 200°C
Maximum Working Pressure	68 bar

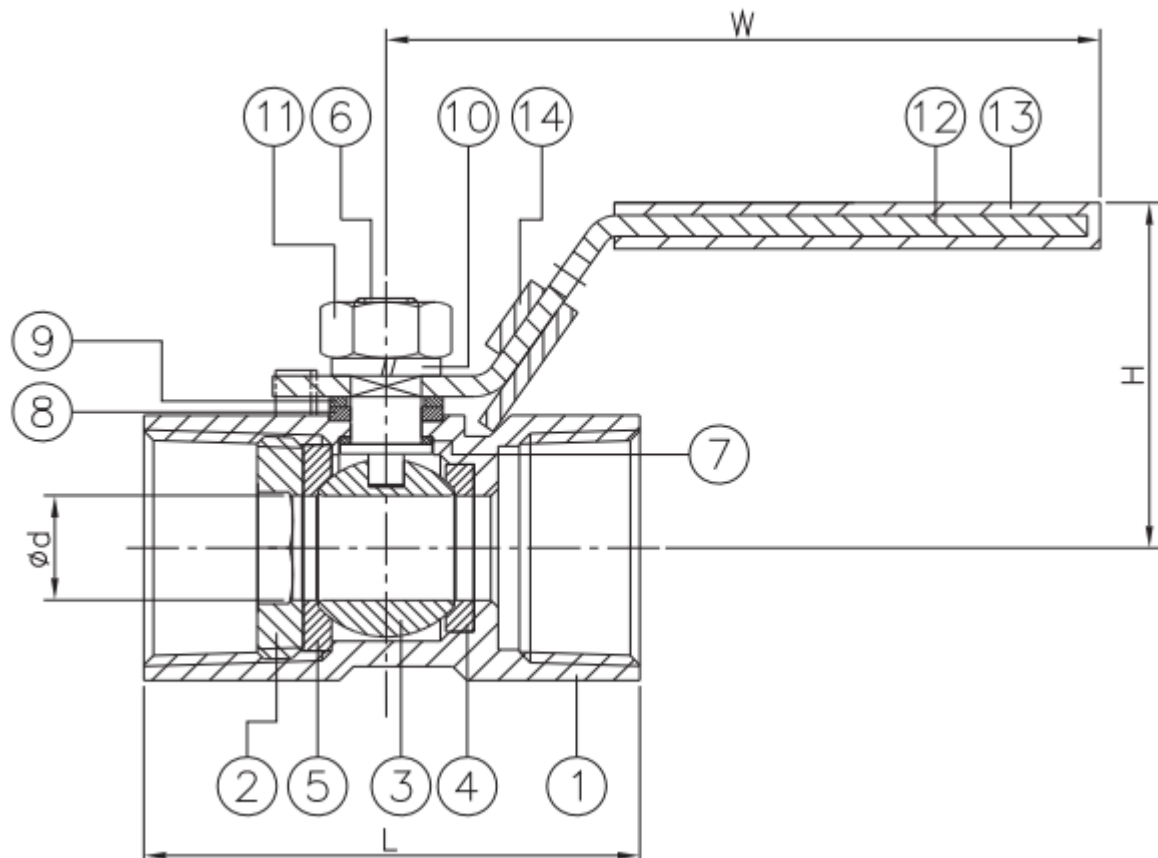
Approvals

Compliance/Certifications	ISO-5211
---------------------------	----------





ITEM	PARTS	MATERIAL	
1	BODY	ASTM A351-CF8M	ASTM A351-CF8
2	RETAINER		
3	BALL	ASTM A351-CF8M	
4	SEAT A	PTFE / RTFE	
5	SEAT B		
6	STEM	AISI 316	AISI 304
7	THRUST WASHER	PTFE	
8	PACKING		
9	GLAND RING	AISI 304	
10	SPRING WASHER		
11	STEM NUT		
12	HANDLE		
13	HANDLE SLEEVE	PLASTIC	



DN	d	L	W	H
8	5	39	71	33
10	7	44	91	35
15	9.2	55	95	40
20	12.5	59	95	44
25	15	69	113	50
32	20	77	113	57
40	25	81	141	64
50	32	97	141	68
65	38	127	190	85
80	50	153	190	90

unit:mm

NPS	d	L	W	H
1/4"	0.2	1.54	2.8	1.3
3/8"	0.28	1.73	3.58	1.38
1/2"	0.36	2.17	3.74	1.57
3/4"	0.49	2.32	3.74	1.73
1"	0.59	2.72	4.45	1.97
1-1/4"	0.79	3.03	4.45	2.24
1-1/2"	0.98	3.19	5.55	2.52
2"	1.26	3.82	5.55	2.68
2-1/2"	1.5	5	7.48	3.35
3"	1.97	6.02	7.48	3.54

unit:in