

# Soldering Tip



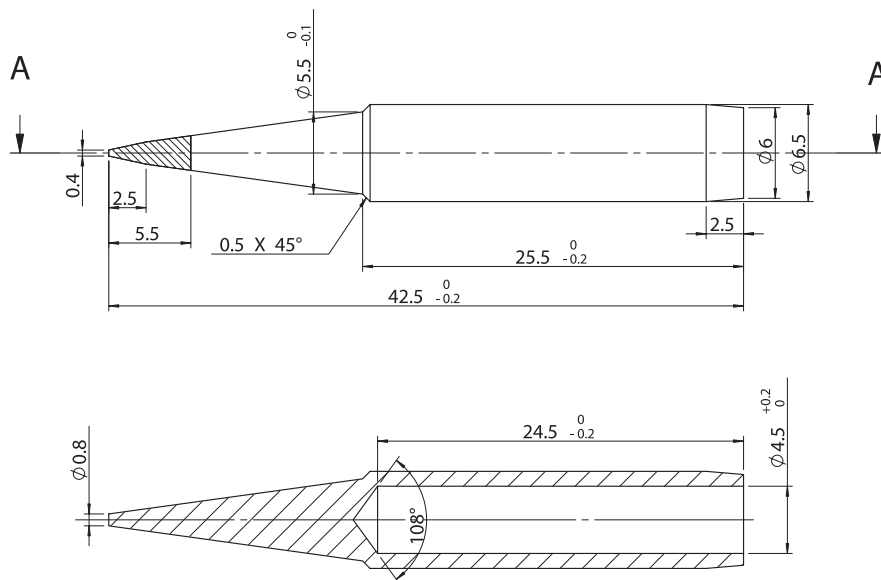
## Specifications:

Material : Copper  
 Tip / Nozzle Style : Chisel  
 Tip / Nozzle Width : 0.8mm

## Coating Standard for Soldering Tips:

Alloy Iron Coating Thickness : 0.3µm  
 Nickel Coating Thickness : 0.2µm  
 Chrome Coating Thickness : 0.2µm

Alloy Iron coated iron tips perform excellent on temperature between 360°C and 380°C  
 It can only work 4-5 hours if tips continuously get heated up beyond 450°C  
 Chrome layer will lose effect if temperature is up to 500°C  
 Dimension Tolerance is +0.02mm



Dimensions : Millimetres

A-A

## Part Number Table

| Description        | Part Number |
|--------------------|-------------|
| Tip, Chisel, 0.8mm | 21-10140    |

**Important Notice :** This data sheet and its contents (the "Information") belong to the members of the Premier Farnell group of companies (the "Group") or are licensed to it. No licence is granted for the use of it other than for information purposes in connection with the products to which it relates. No licence of any intellectual property rights is granted. The Information is subject to change without notice and replaces all data sheets previously supplied. The Information supplied is believed to be accurate but the Group assumes no responsibility for its accuracy or completeness, any error in or omission from it or for any use made of it. Users of this data sheet should check for themselves the Information and the suitability of the products for their purpose and not make any assumptions based on information included or omitted. Liability for loss or damage resulting from any reliance on the Information or use of it (including liability resulting from negligence or where the Group was aware of the possibility of such loss or damage arising) is excluded. This will not operate to limit or restrict the Group's liability for death or personal injury resulting from its negligence. Tenma is the registered trademark of the Group. © Premier Farnell plc 2012.

