

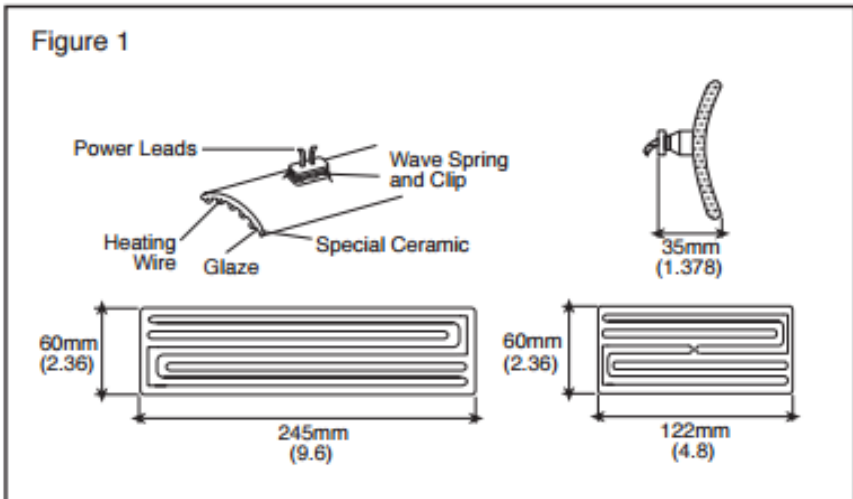
Datasheet

Ceramic Heating Element, 122mm, 325 W, 230 V ac

RS Stock number 198-8513

Ceramic infrared heating elements

A range of ceramic infrared heaters, they have a cast-in nichrome resistance wire operating at the temperatures of 300°C to 750°C (572°F - 1382°F). The glazed ceramic surface protects it from oxidation or corrosion. The ceramic element has an ability to transfer its radiant energy at an appropriate wavelength. Optimum absorption of radiant energy operates at between 300°C to 750°C, producing a wavelength range of 6.3 microns. The ceramic element is produced to optimise these essential and valuable characteristics, which translates into improved efficiency and quality in the radiated product. Applications include long wave radiation curing, heating and drying.



Technical specification

RS Stock no.	Watts	Type	Mean surface temp. °C	°F	Wave length microns max.	kW load per in²	Watts per in²
196-6462	400W	F.T.E.	515	959	4.2	16	17
196-6478	650W	F.T.E.	630	1166	3.55	26	28
196-6484	1,000W	F.T.E.	750	1382	3.0	40	44
196-64900	200W	H.T.E.	515	959	4.2	16	17
198-8513	325W	H.T.E.	630	1166	3.55	26	28
198-8529	500W	H.T.E.	750	1302	3.1	40	44

Note: FTE = Full through element
 HTE = Half through element
 Recommended radiation distance
 100mm to 200mm for industrial application

WARNING: This component part shall only be used where adequate electrical, thermal and mechanical barriers are provided to prevent access to hazardous parts without use of a tool.