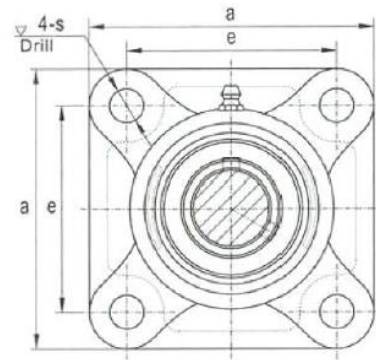
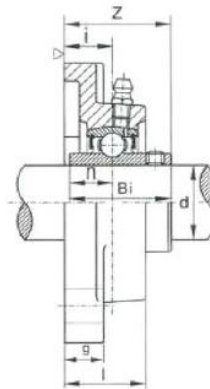


4 Bolt Flange Bearing unit - Imperial



RS Article no.	Bearing unit No.	Shaft Dia. d (in.)	Dimension (in.)									Bolt used (in.)	Bearing No.	Housing No.	Weight (kg)
			a	e	i	g	l	s	z	Bi	n				
7508772	UCF205-16	1	3 3/4	2 3/4	5/8	9/16	1 1/16	15/32	1 13/32	1.3386	0.563	3/8	UC 205-16	F 205	0.82
7508797	UCF208-24	1 1/2	5 1/8	4 1/64	53/64	5/8	1 13/32	5/8	2 1/64	1.937	0.748	1/2	UC 208-24	F 208	1.9
7508807	UCF211-32	2	6 3/8	5 1/8	63/64	25/32	1 11/16	3/4	2 19/64	2.189	0.874	5/8	UC 211-32	F 211	3.4