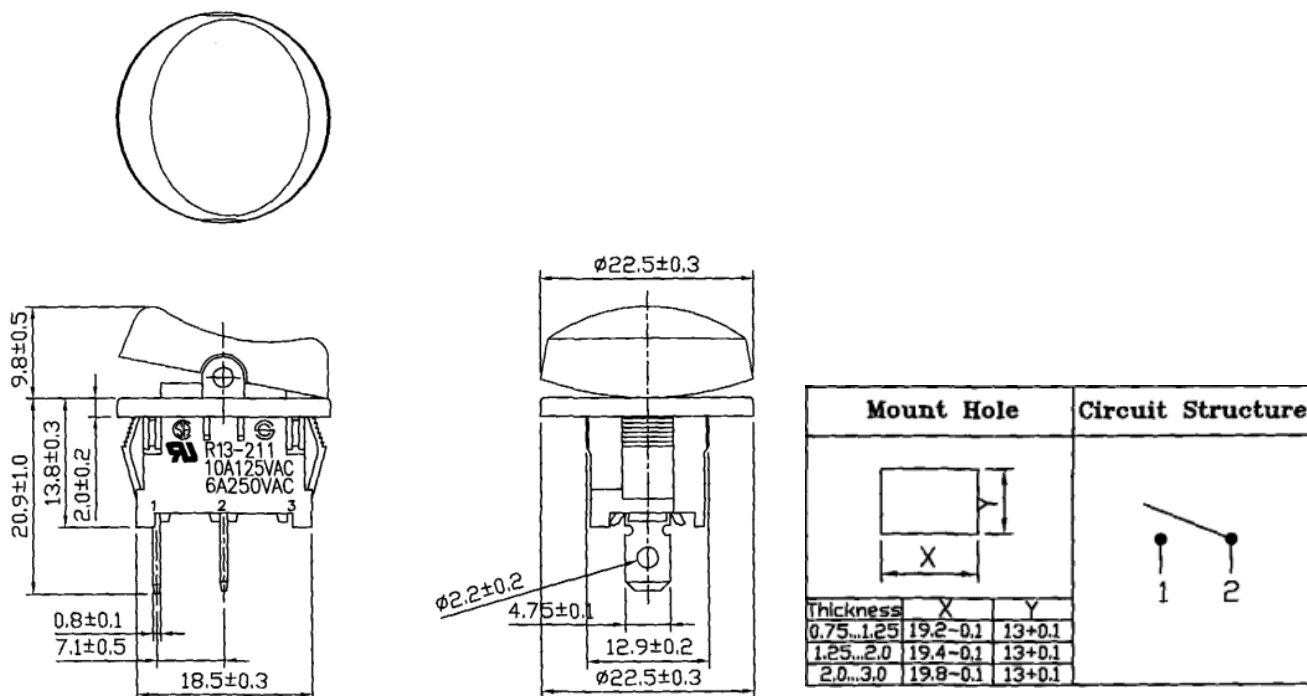


Datasheet

Black SPST Rocker Switch, On-Off, 10 A@ 125 V ac 13mm 19.8mm

RS Stock number [419-760](#)

Dimensions: (mm)



Specifications

- Rating: 10A 125V, 6A 250V AC
- Contact Resistance: 50m ohm max
- Insulation Resistance: DC 500V 100M ohm min.
- Dielectric Strength: AC 1500V 1 min
- Circuit: 2P SPST on-off