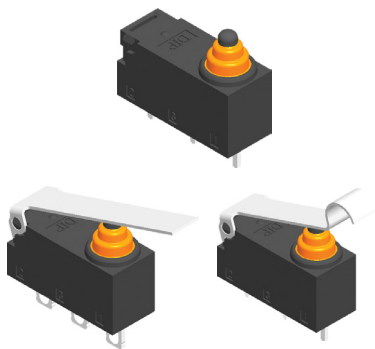


Snap Action Microswitches multicomp^{PRO}



Specifications

Contact Rating	: 2A at 12V DC/1A at 24V DC
Mechanical Durability	: 1,000,000 Cycles Min.
Electrical Durability	: 100,000 cycles Min.
Contact Resistance	: 150mΩ Max.
Insulation Resistance	: 100MΩ Min. (at 50V DC)
Dielectric Strength	: Between terminals of the same polarity: 600V AC (500Hz) or 60Hz) shall be applied across terminals for 1 minute
	: Between each terminal and ground: 1500V AC (50Hz or 60Hz) shall be applied across terminals for 1 minute
	: Between each terminal and non-current-carrying metal parts 1500V AC (50Hz or 60Hz) shall be applied across terminals for 1 minute
Operating Temp.	: -40°C to +85°C

**RoHS
Compliant**

Features

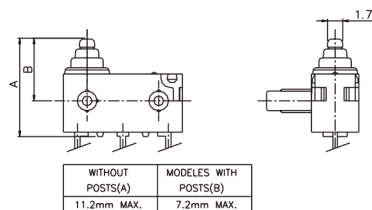
- PC board terminals option
- 13.3mm × 5.3mm × 7.2mm
- Variety of lever options
- Sealed IP67.

Application

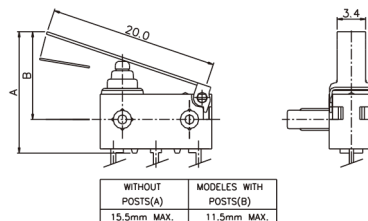
- Automotive industry
- Household appliances
- Vacuum cleaner

Actuator

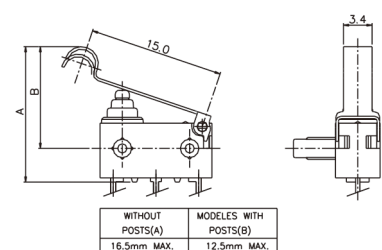
Pin Plunger



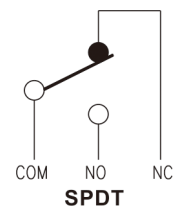
Long Hinge Lever



Simulated Roller Lever

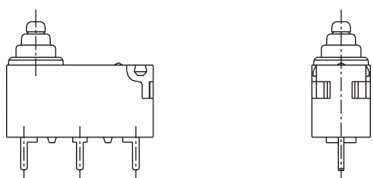


Contact Form

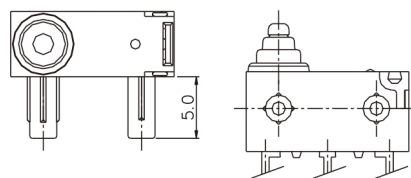


Posts

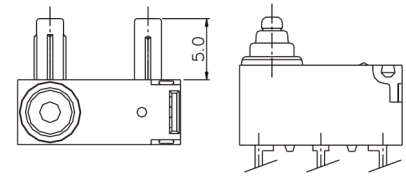
Without Posts



Long Posts on Left

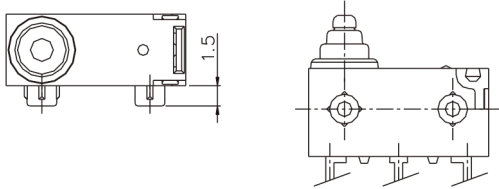


Long Posts on Right

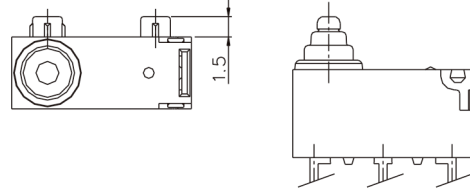


Snap Action Microswitches multicomp^{PRO}

Short Posts on Left

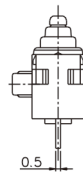
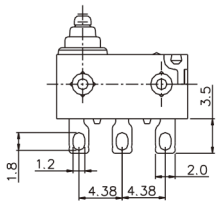


Short Posts on Right

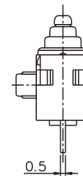
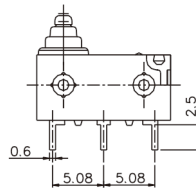


Terminals

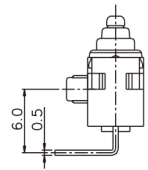
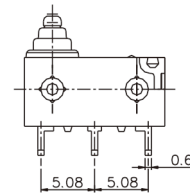
Solder Terminal



PCB Terminal



PCB Terminal (Left Angled)



MP006209 Operating Characteristics

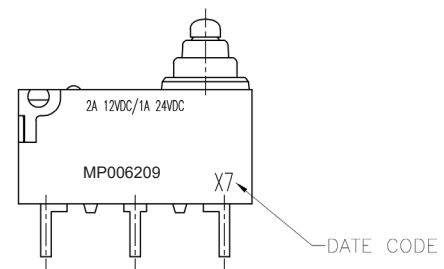
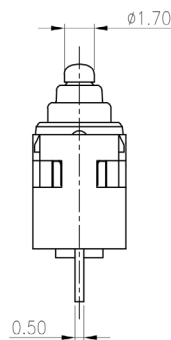
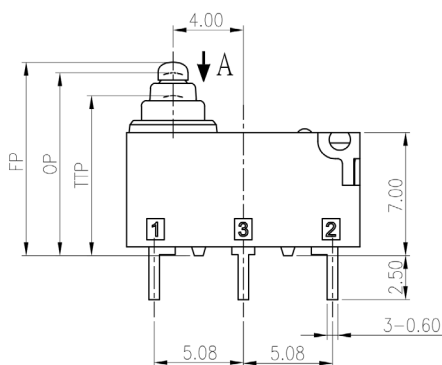
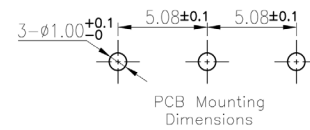
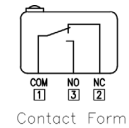
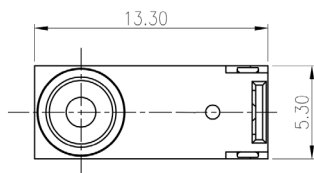
Item	Spec.
Operating Force(of)	75gf(0.75N) Max.
Release Force(RF)	10gf(0.1N) Min.
Overtravel (OT)	1.4mm Min.(Reference)
Movement Differential (MD)	0.25mm Max
Free Position (FP)	11.2mm Max.
Operating Position (OP)	10.4 ±0.2mm
Total Travel Position (TTP)	9.1mm Max.

Electrical Rating

Rated Voltage	Resistive Load
12V DC	2A
24V DC	1A

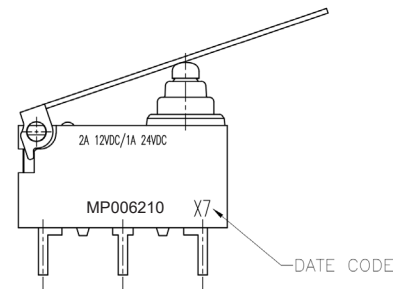
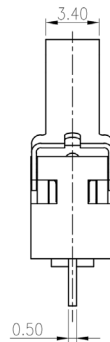
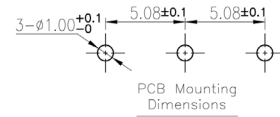
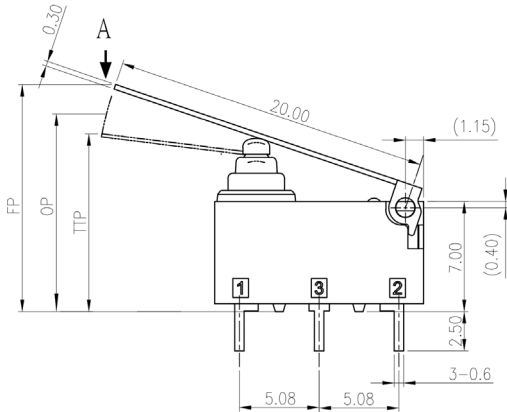
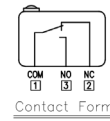
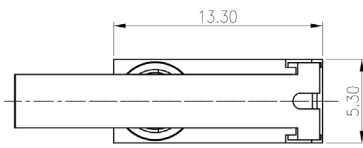
Tolerances unless specified ±0.4mm.

The operating Characteristics are for operation in the direction



Snap Action Microswitches **multicomp** PRO

MP006210



MP006210 Operating Characteristics

Item	Spec.
Operating Force(of)	50gf(0.5N) Max.
Release Force(RF)	3gf(0.3N) Min.
Overtravel (OT)	2.5mm Min.(Reference)
Movement Differential (MD)	0.8mm Max
Free Position (FP)	15.5mm Max.
Operating Position (OP)	13.3 ±0.8mm
Total Travel Position (TTP)	11mm Max.

Electrical Rating

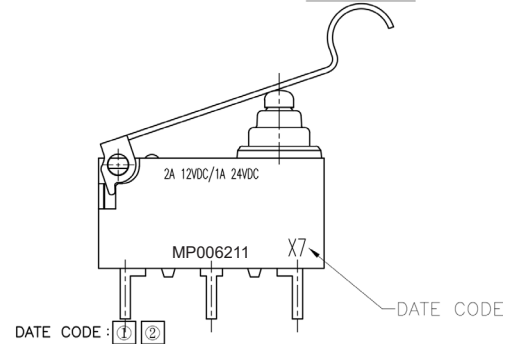
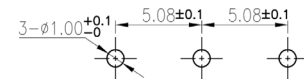
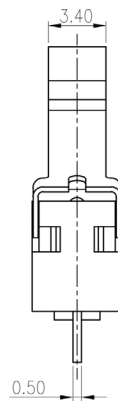
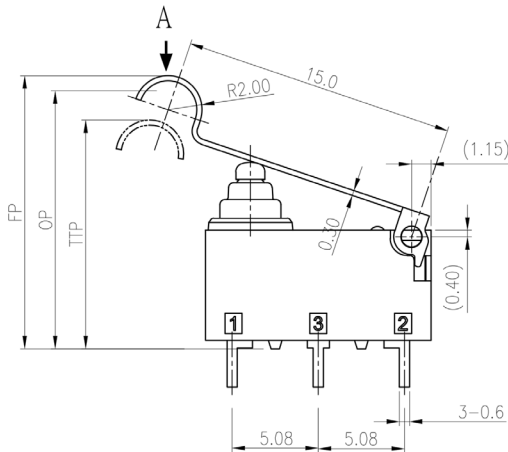
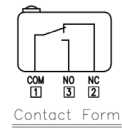
Rated Voltage	Resistive Load
12V DC	2A
24V DC	1A

Tolarances unless specified ±0.4mm.

The operating Characteristics are for operation in the ↓ direction

Snap Action Microswitches multicomp^{PRO}

MP006211



MP006211 Operating Characteristics

Item	Spec.
Operating Force(of)	66gf(0.65N) Max.
Release Force(RF)	5gf(0.5N) Min.
Overtravel (OT)	1.9mm Min.(Reference)
Movement Differential (MD)	0.5mm Max
Free Position (FP)	16.5mm Max.
Operating Position (OP)	15.2 ±0.5mm
Total Travel Position (TTP)	13.5mm Max.

Electrical Rating

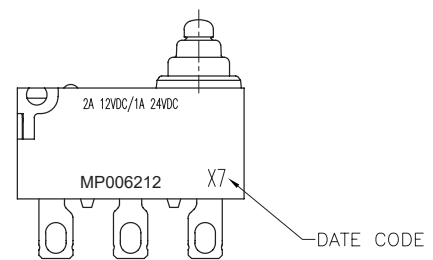
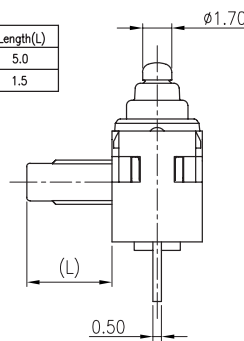
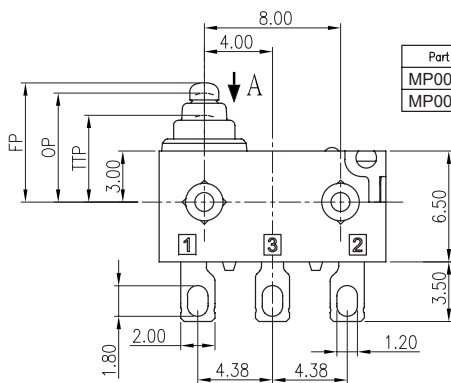
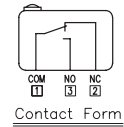
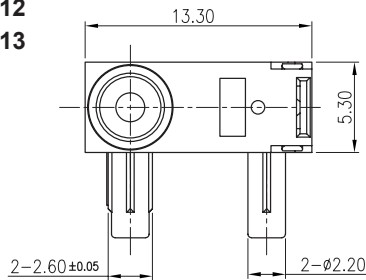
Rated Voltage	Resistive Load
12V DC	2A
24V DC	1A

Tolerances unless specified ±0.4mm.

The operating Characteristics are for operation in the ↓ direction

Snap Action Microswitches **multicomp** PRO

MP006212
MP006213



Operating Characteristics

Item	Spec.
Operating Force(of)	75gf(0.75N) Max.
Release Force(RF)	10gf(0.1N) Min.
Overtravel (OT)	1.4mm Min.(Reference)
Movement Differential (MD)	0.25mm Max
Free Position (FP)	7.2mm Max.
Operating Position (OP)	6.4 ±0.2mm
Total Travel Position (TTP)	5.1mm Max.

Electrical Rating

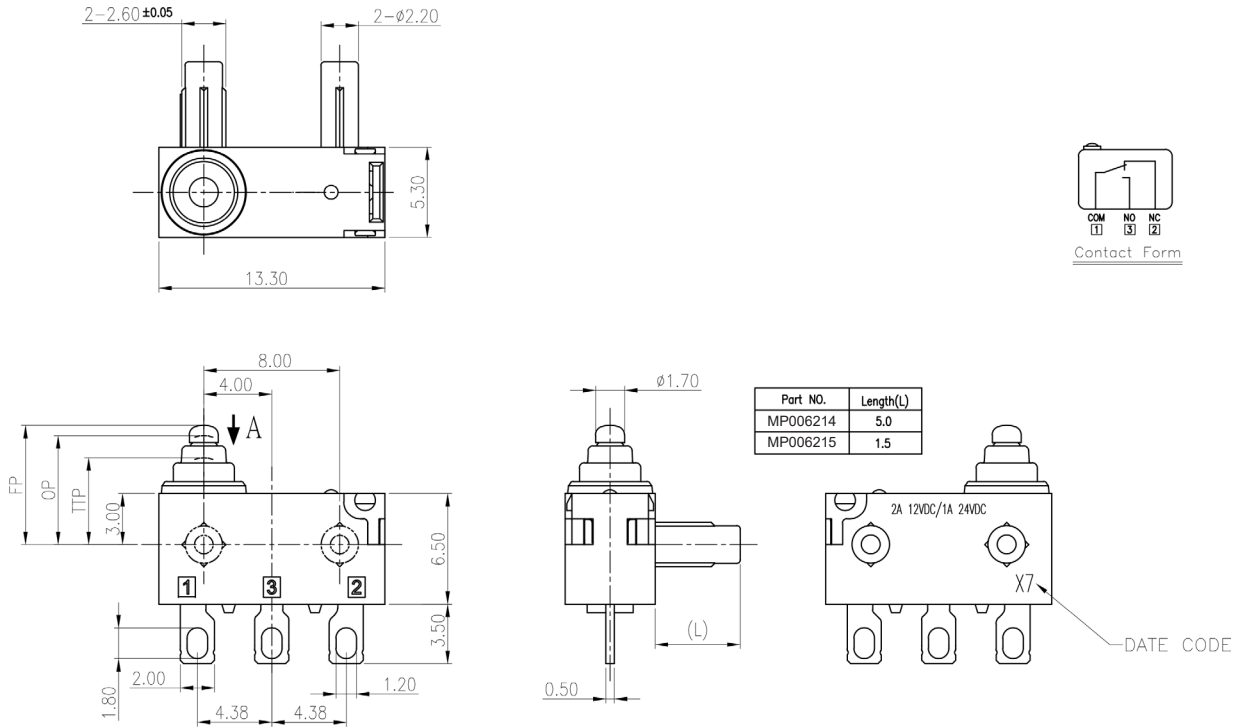
Rated Voltage	Resistive Load
12V DC	2A
24V DC	1A

Tolarances unless specified ±0.4mm.

The operating Characteristics are for operation in the ↓ direction

Snap Action Microswitches multicomp^{PRO}

MP006214
MP006215



Operating Characteristics

Item	Spec.
Operating Force(of)	75gf(0.75N) Max.
Release Force(RF)	10gf(0.1N) Min.
Overtravel (OT)	1.4mm Min.(Reference)
Movement Differential (MD)	0.25mm Max
Free Position (FP)	7.2mm Max.
Operating Position (OP)	6.4 ±0.2mm
Total Travel Position (TTP)	5.1mm Max.

Tolarances unless specified ±0.4mm.

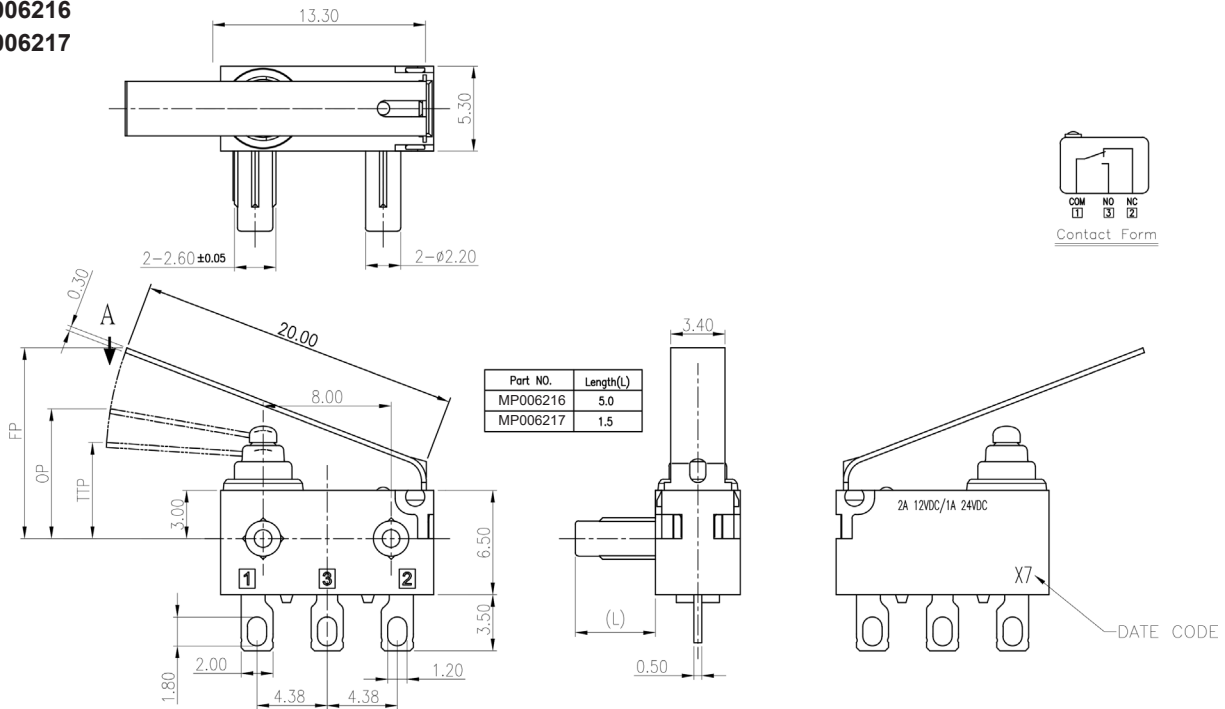
The operating Characteristics are for operation in the ↓ direction

Electrical Rating

Rated Voltage	Resistive Load
12V DC	2A
24V DC	1A

Snap Action Microswitches **multicomp** PRO

MP006216
MP006217



Operating Characteristics

Item	Spec.
Operating Force(of)	122gf(0.75N) Max.
Release Force(RF)	5gf(0.1N) Min.
Overtravel (OT)	2.5mm Min.(Reference)
Movement Differential (MD)	0.7mm Max
Free Position (FP)	11.9mm Max.
Operating Position (OP)	8.1 ±0.8mm
Total Travel Position (TTP)	6mm Max.

Electrical Rating

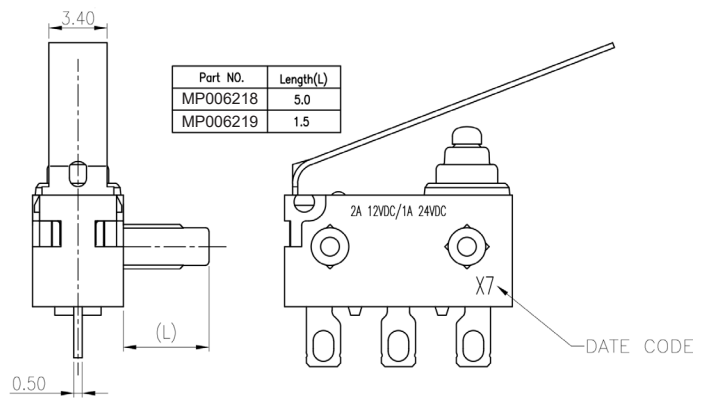
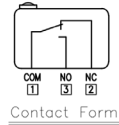
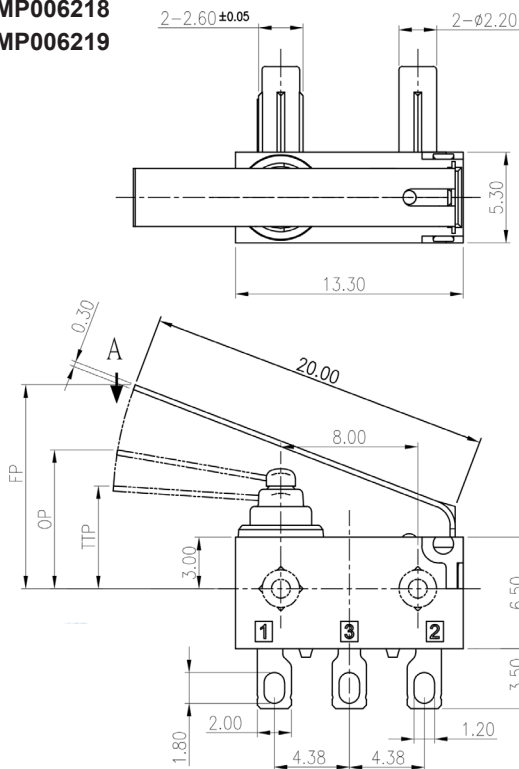
Rated Voltage	Resistive Load
12V DC	2A
24V DC	1A

Tolerances unless specified ±0.4mm.

The operating Characteristics are for operation in the ↓ direction

Snap Action Microswitches multicomp^{PRO}

MP006218
MP006219



Operating Characteristics

Item	Spec.
Operating Force(of)	122gf(1.2N) Max.
Release Force(RF)	5gf(0.05N) Min.
Overtravel (OT)	2.5mm Min.(Reference)
Movement Differential (MD)	0.7mm Max
Free Position (FP)	11.9mm Max.
Operating Position (OP)	8.1 ±0.8mm
Total Travel Position (TTP)	6mm Max.

Tolerances unless specified ±0.4mm.

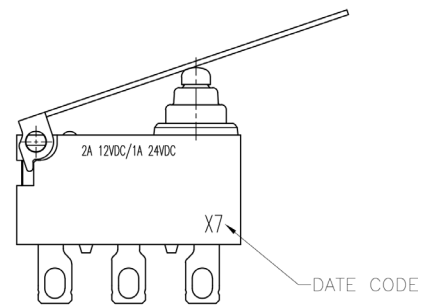
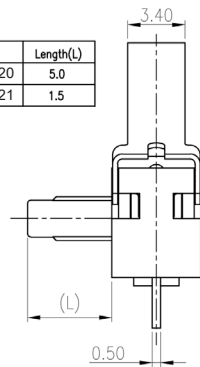
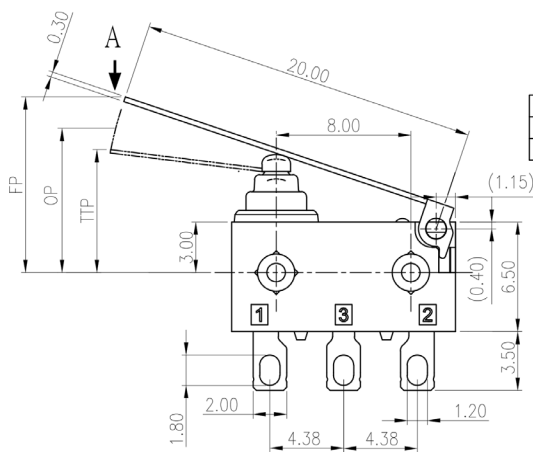
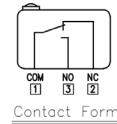
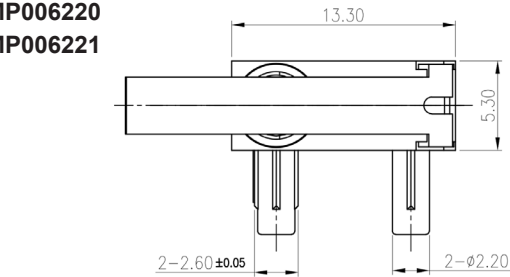
The operating Characteristics are for operation in the ↓ direction

Electrical Rating

Rated Voltage	Resistive Load
12V DC	2A
24V DC	1A

Snap Action Microswitches **multicomp**PRO

MP006220
MP006221



Operating Characteristics

Item	Spec.
Operating Force(of)	50gf(0.5N) Max.
Release Force(RF)	3gf(0.03N) Min.
Overtravel (OT)	2.5mm Min.(Reference)
Movement Differential (MD)	0.8mm Max
Free Position (FP)	11.5mm Max.
Operating Position (OP)	9.3 ±0.8mm
Total Travel Position (TTP)	7mm Max.

Electrical Rating

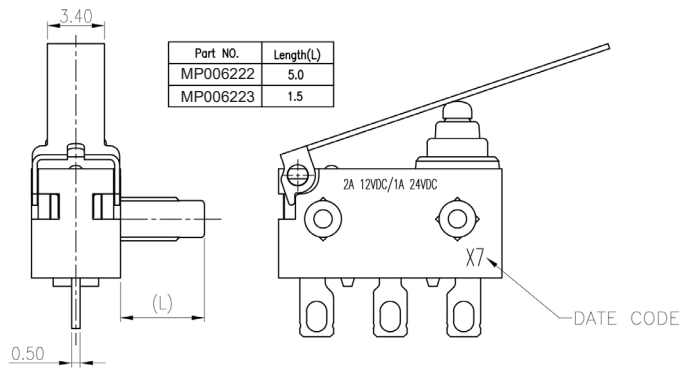
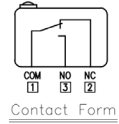
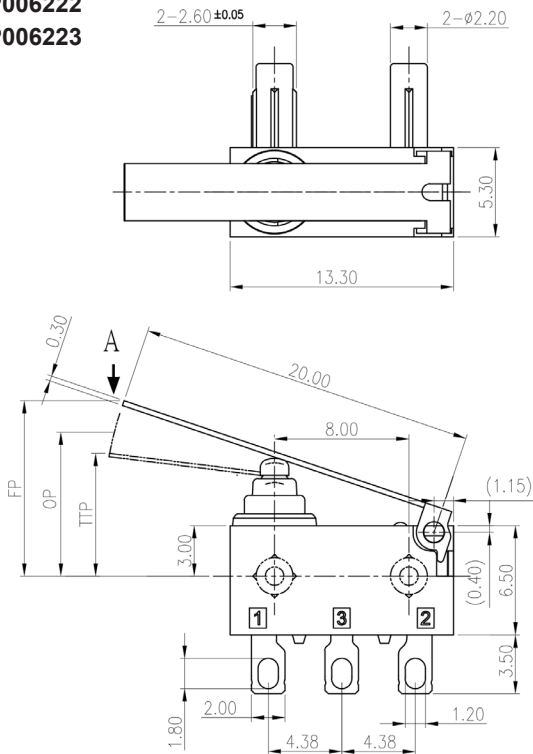
Rated Voltage	Resistive Load
12V DC	2A
24V DC	1A

Tolarances unless specified ±0.4mm.

The operating Characteristics are foroperation in the ↓ direction

Snap Action Microswitches multicomp^{PRO}

MP006222
MP006223



Operating Characteristics

Item	Spec.
Operating Force(of)	50gf(0.5N) Max.
Release Force(RF)	3gf(0.03N) Min.
Overtravel (OT)	2.5mm Min.(Reference)
Movement Differential (MD)	0.8mm Max
Free Position (FP)	11.5mm Max.
Operating Position (OP)	9.3 ±0.8mm
Total Travel Position (TTP)	7mm Max.

Tolarances unless specified ±0.4mm.

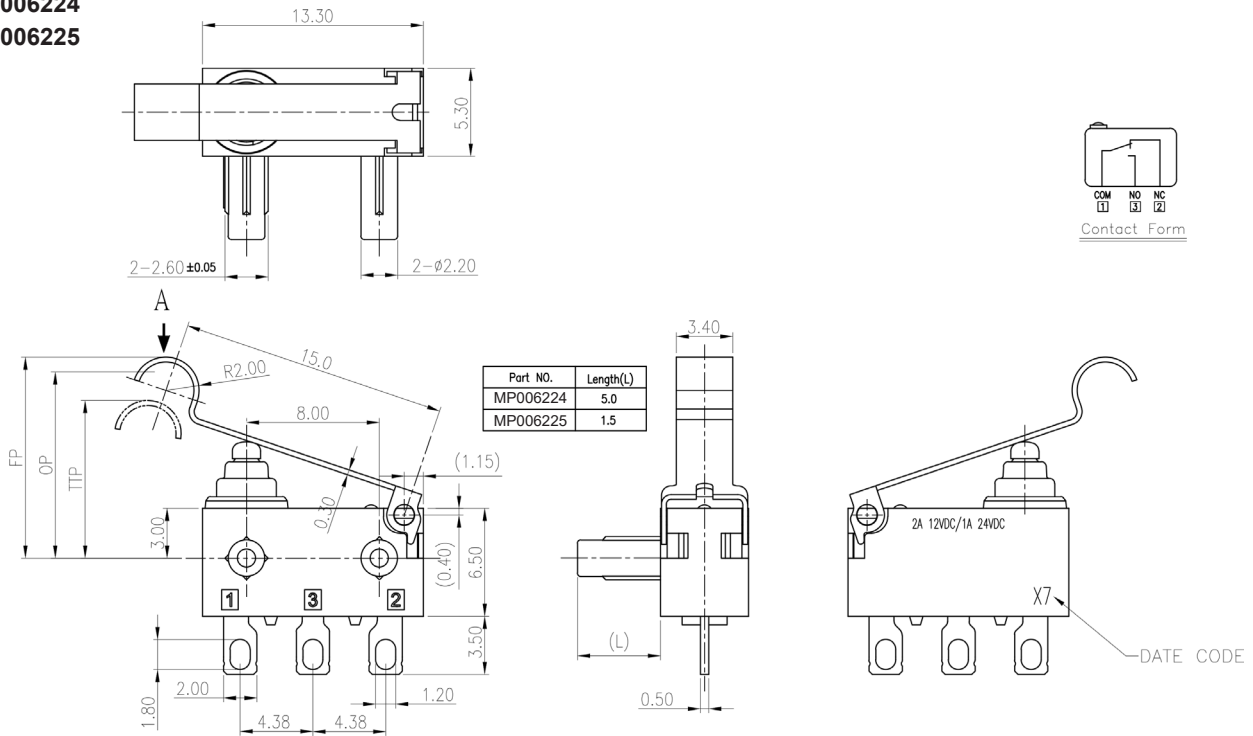
The operating Characteristics are foroperation in the ↓ direction

Electrical Rating

Rated Voltage	Resistive Load
12V DC	2A
24V DC	1A

Snap Action Microswitches **multicomp**PRO

MP006224
MP006225



Operating Characteristics

Item	Spec.
Operating Force(of)	66gf(0.65N) Max.
Release Force(RF)	5gf(0.05N) Min.
Overtravel (OT)	1.9mm Min.(Reference)
Movement Differential (MD)	0.5mm Max
Free Position (FP)	12.5mm Max.
Operating Position (OP)	11.2 ±0.5mm
Total Travel Position (TTP)	9.5mm Max.

Tolarances unless specified ±0.4mm.

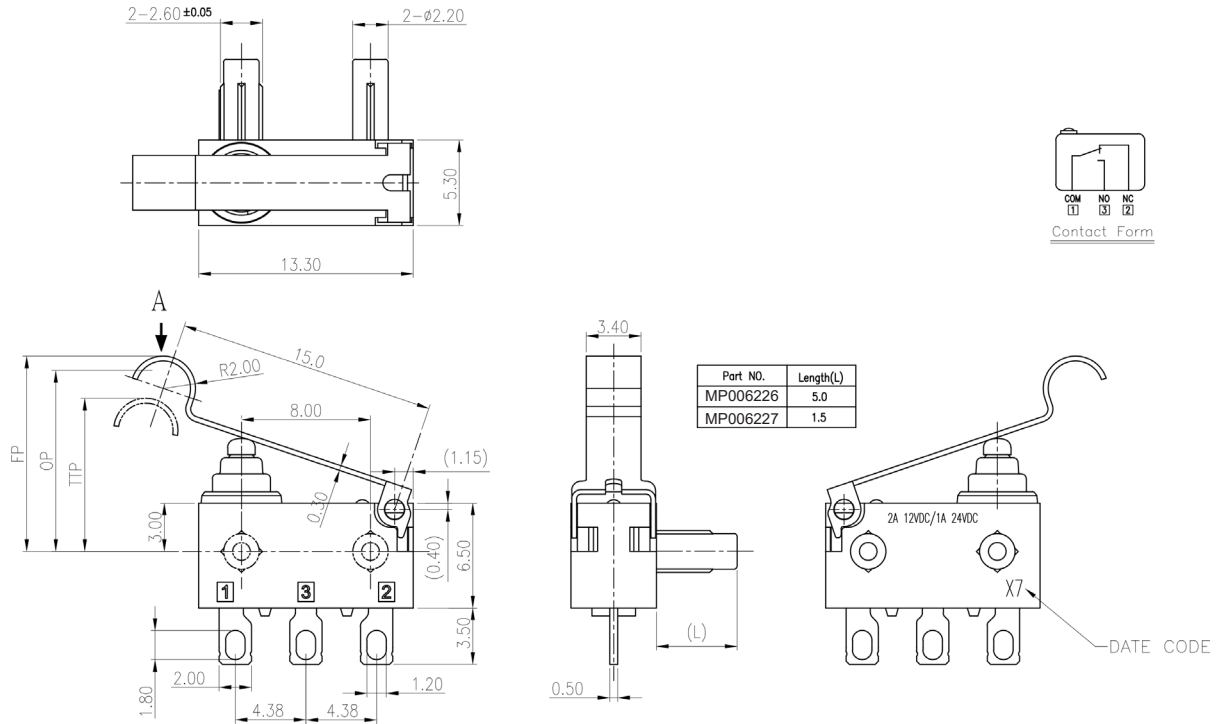
The operating Characteristics are for operation in the ↓ direction

Electrical Rating

Rated Voltage	Resistive Load
12V DC	2A
24V DC	1A

Snap Action Microswitches multicomp^{PRO}

MP006226
MP006227



Operating Characteristics

Item	Spec.
Operating Force(of)	66gf(0.65N) Max.
Release Force(RF)	5gf(0.05N) Min.
Overtravel (OT)	1.9mm Min.(Reference)
Movement Differential (MD)	0.5mm Max
Free Position (FP)	12.5mm Max.
Operating Position (OP)	11.2 ±0.5mm
Total Travel Position (TTP)	9.5mm Max.

Tolerances unless specified ±0.4mm.

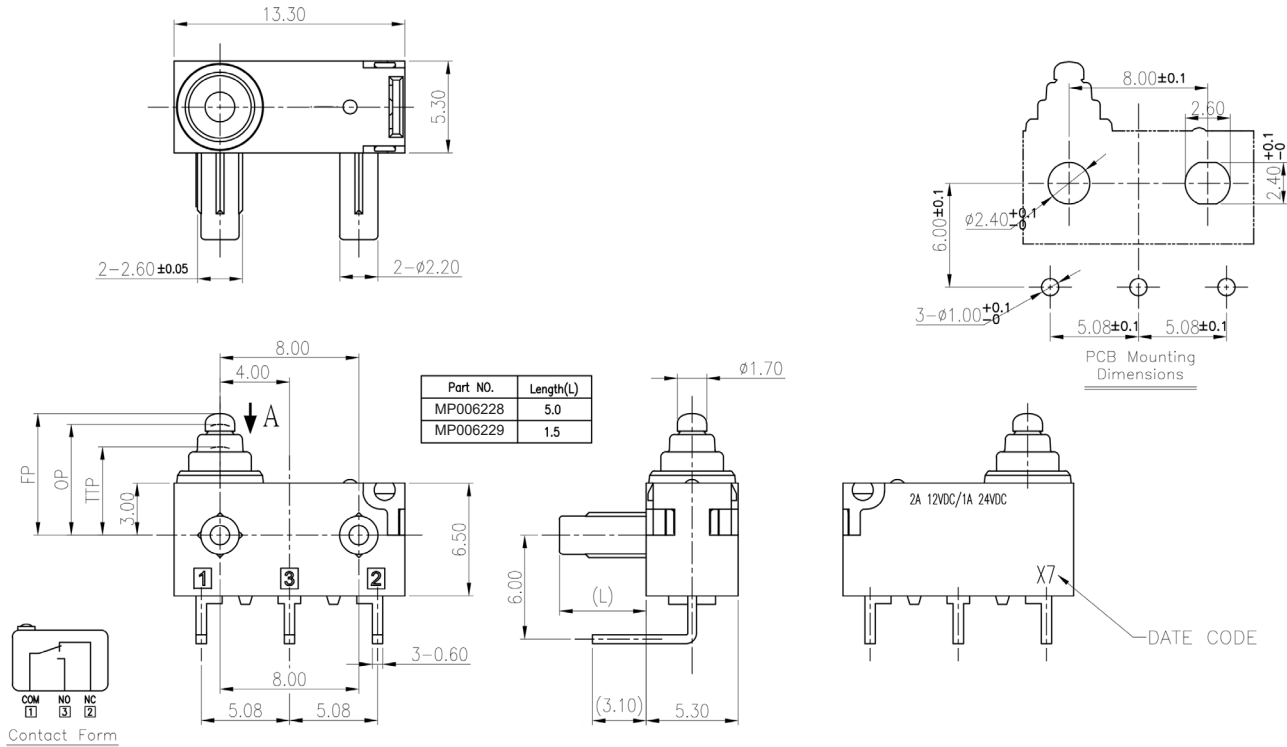
The operating Characteristics are for operation in the ↓ direction

Electrical Rating

Rated Voltage	Resistive Load
12V DC	2A
24V DC	1A

Snap Action Microswitches multicomp^{PRO}

MP006228
MP006229



Operating Characteristics

Item	Spec.
Operating Force(of)	75gf(0.75N) Max.
Release Force(RF)	10gf(0.1N) Min.
Overtravel (OT)	1.4mm Min.(Reference)
Movement Differential (MD)	0.25mm Max
Free Position (FP)	7.2mm Max.
Operating Position (OP)	6.4 ±0.2mm
Total Travel Position (TTP)	5.1mm Max.

Electrical Rating

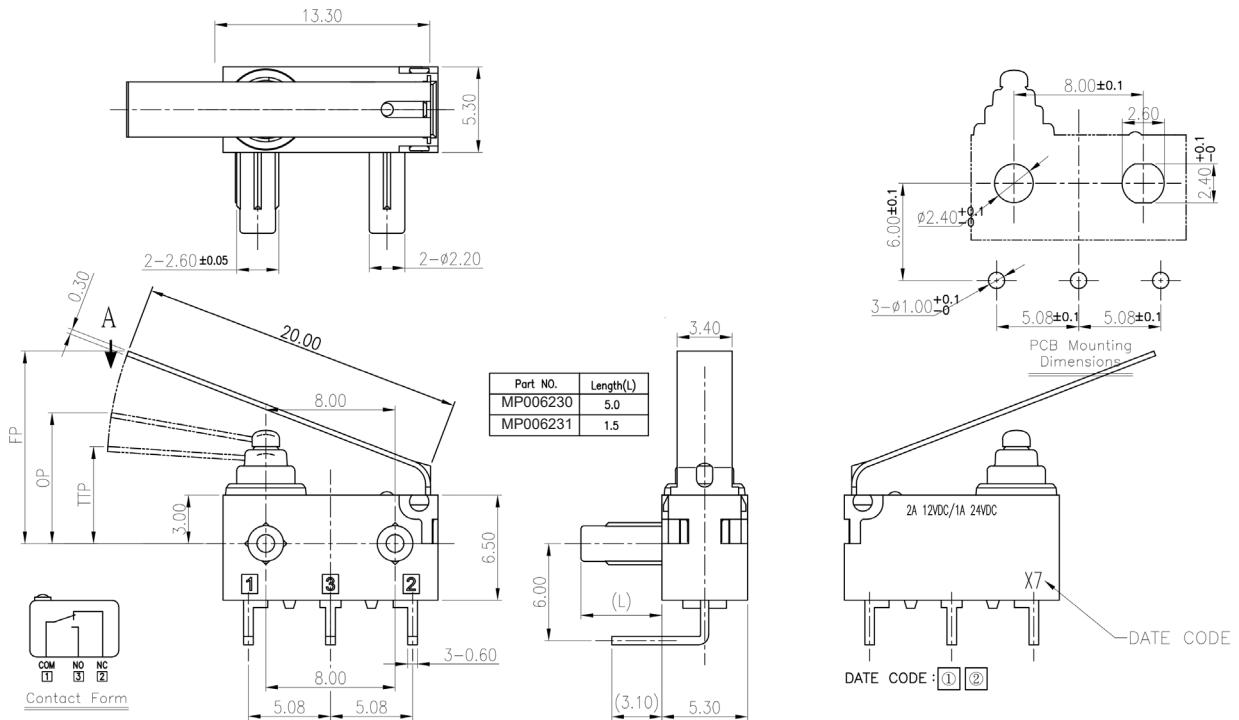
Rated Voltage	Resistive Load
12V DC	2A
24V DC	1A

Tolarances unless specified ±0.4mm.

The operating Characteristics are for operation in the ↓ direction

Snap Action Microswitches multicomp^{PRO}

MP006230
MP006231



Operating Characteristics

Item	Spec.
Operating Force(of)	122gf(1.2N) Max.
Release Force(RF)	5gf(0.05N) Min.
Overtravel (OT)	2.5mm Min.(Reference)
Movement Differential (MD)	0.7mm Max
Free Position (FP)	11.9mm Max.
Operating Position (OP)	8.1 ±0.8mm
Total Travel Position (TTP)	6mm Max.

Electrical Rating

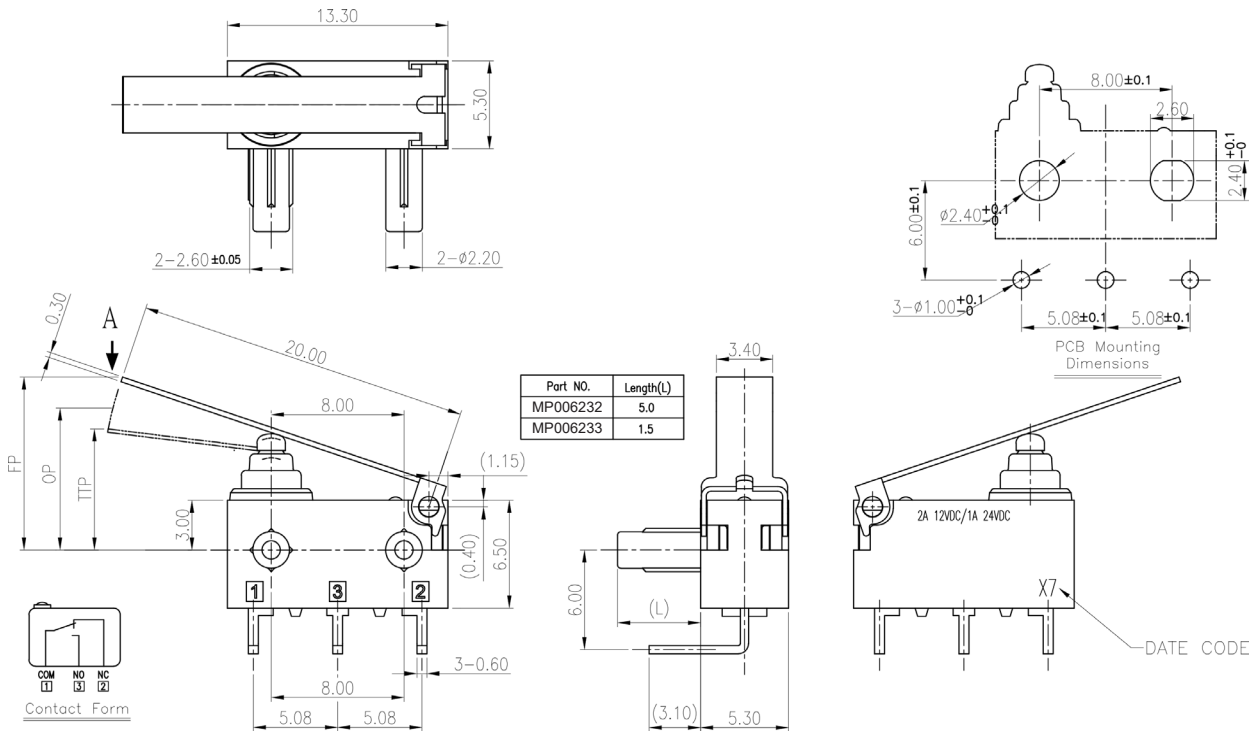
Rated Voltage	Resistive Load
12V DC	2A
24V DC	1A

Tolerances unless specified ±0.4mm.

The operating Characteristics are for operation in the ↓ direction

Snap Action Microswitches multicomp^{PRO}

MP006232
MP006233



Operating Characteristics

Item	Spec.
Operating Force(of)	50gf(0.5N) Max.
Release Force(RF)	3gf(0.035N) Min.
Overtravel (OT)	2.5mm Min.(Reference)
Movement Differential (MD)	0.8mm Max
Free Position (FP)	11.5mm Max.
Operating Position (OP)	9.3 ±0.8mm
Total Travel Position (TTP)	7mm Max.

Tolerances unless specified ±0.4mm.

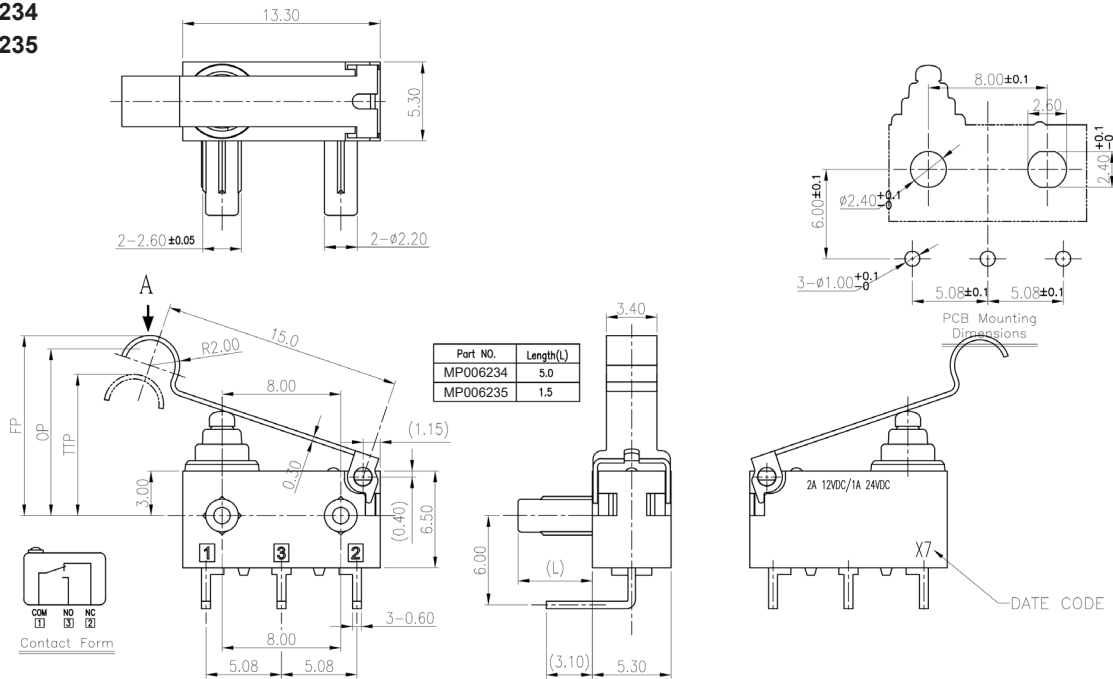
The operating Characteristics are for operation in the ↓ direction

Electrical Rating

Rated Voltage	Resistive Load
12V DC	2A
24V DC	1A

Snap Action Microswitches multicomp^{PRO}

MP006234
MP006235



Operating Characteristics

Item	Spec.
Operating Force(of)	66gf(0.65N) Max.
Release Force(RF)	5gf(0.05N) Min.
Overtravel (OT)	1.9mm Min.(Reference)
Movement Differential (MD)	0.5mm Max
Free Position (FP)	12.5mm Max.
Operating Position (OP)	11.2 ±0.5mm
Total Travel Position (TTP)	9.5mm Max.

Electrical Rating

Rated Voltage	Resistive Load
12V DC	2A
24V DC	1A

Tolarances unless specified ±0.4mm.

The operating Characteristics are for operation in the ↓ direction

Snap Action Microswitches **multicomp**PRO

Part Number Table

Description	Part Number
Snap Action Microswitch, Pin Plunger, SPDT, Without Posts, Through-hole Terminal	MP006209
Snap Action Microswitch, Long Hinge Lever, SPDT, Without Posts, Through-hole Terminal	MP006210
Snap Action Microswitch, Simulated Roller Lever, SPDT, Without Posts, Through-hole Terminal	MP006211
Snap Action Microswitch, Pin Plunger, SPDT, Long Posts on Left, Solder Lug	MP006212
Snap Action Microswitch, Pin Plunger, SPDT, Short Posts on Left, Solder Lug	MP006213
Snap Action Microswitch, Pin Plunger, SPDT, Long Posts on Right, Solder Lug	MP006214
Snap Action Microswitch, Pin Plunger, SPDT, Short Posts on Right, Solder Lug	MP006215
Snap Action Microswitch, Long Hinge Lever, SPDT, Long Posts on Left, Solder Lug	MP006216
Snap Action Microswitch, Long Hinge Lever, SPDT, Short Posts on Left, Solder Lug	MP006217
Snap Action Microswitch, Long Hinge Lever, SPDT, Long Posts on Right, Solder Lug	MP006218
Snap Action Microswitch, Long Hinge Lever, SPDT, Short Posts on Right, Solder Lug	MP006219
Snap Action Microswitch, Long Hinge Lever, SPDT, Long Posts on Left, Solder Lug	MP006220
Snap Action Microswitch, Long Hinge Lever, SPDT, Short Posts on Left, Solder Lug	MP006221
Snap Action Microswitch, Long Hinge Lever, SPDT, Long Posts on Right, Solder Lug	MP006222
Snap Action Microswitch, Long Hinge Lever, SPDT, Short Posts on Right, Solder Lug	MP006223
Snap Action Microswitch, Simulated Roller Lever, SPDT, Long Posts on Left, Solder Lug	MP006224
Snap Action Microswitch, Simulated Roller Lever, SPDT, Short Posts on Left, Solder Lug	MP006225
Snap Action Microswitch, Simulated Roller Lever, SPDT, Long Posts on Right, Solder Lug	MP006226
Snap Action Microswitch, Simulated Roller Lever, SPDT, Short Posts on Right, Solder Lug	MP006227
Snap Action Microswitch, Pin Plunger, SPDT, Long Posts on Left, Through-hole Terminal Left Angled	MP006228
Snap Action Microswitch, Pin Plunger, SPDT, Short Posts on Left, Through-hole Terminal Left Angled	MP006229
Snap Action Microswitch, Long Hinge Lever, SPDT, Long Posts on Left, Through-hole Terminal Left Angled	MP006230
Snap Action Microswitch, Long Hinge Lever, SPDT, Short Posts on Left, Through-hole Terminal Left Angled	MP006231
Snap Action Microswitch, Long Hinge Lever, SPDT, Long Posts on Left, Through-hole Terminal Left Angled	MP006232
Snap Action Microswitch, Long Hinge Lever, SPDT, Short Posts on Left, Through-hole Terminal Left Angled	MP006233
Snap Action Microswitch, Simulated Roller Lever, SPDT, Long Posts on Left, Through-hole Terminal Left Angled	MP006234
Snap Action Microswitch, Simulated Roller Lever, SPDT, Short Posts on Left, Through-hole Terminal Left Angled	MP006235

Important Notice : This data sheet and its contents (the "Information") belong to the members of the AVNET group of companies (the "Group") or are licensed to it. No licence is granted for the use of it other than for information purposes in connection with the products to which it relates. No licence of any intellectual property rights is granted. The Information is subject to change without notice and replaces all data sheets previously supplied. The Information supplied is believed to be accurate but the Group assumes no responsibility for its accuracy or completeness, any error in or omission from it or for any use made of it. Users of this data sheet should check for themselves the Information and the suitability of the products for their purpose and not make any assumptions based on information included or omitted. Liability for loss or damage resulting from any reliance on the Information or use of it (including liability resulting from negligence or where the Group was aware of the possibility of such loss or damage arising) is excluded. This will not operate to limit or restrict the Group's liability for death or personal injury resulting from its negligence. Multicomp Pro is the registered trademark of Premier Farnell Limited 2019.

Newark.com/multicomp-pro
 Farnell.com/multicomp-pro
 Element14.com/multicomp-pro

multicompPRO