



Product Datasheet

ENGLISH

# Capacitive Sensor



Stock No.

8967276

8967279

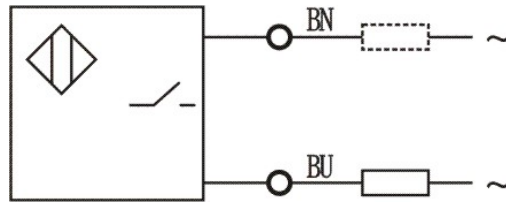
## Feature Description

- ◆ Wide range of detecting object: metal, plastic, liquid
- ◆ Surge protection
- ◆ Housing material : PBT
- ◆ Protection degree : IP67 ( IEC )

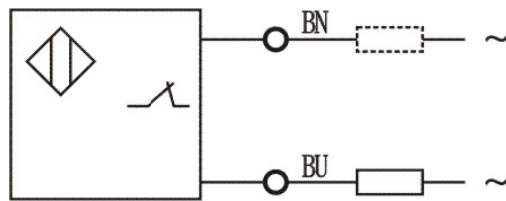
**Features**

Mounting	Non-flush	
Sensing range Sn	15mm (adjustable)	
Setting distance	0...12.0mm	
Housing Size	M30*74	
Thread size	M30*1.5*50	
Output	NO	NC
Power supply	20...250V AC/DC	
Standard target	Fe45*45*1t	:
Temperature drifts	≤±20%	
Hysteresis	3...20%	
Repeat accuracy	≤3%	
Load current	AC ≤300mA	DC ≤100mA
Residual voltage	AC ≤10V AC	DC ≤8V DC
Consumption current	AC ≤3mA	DC ≤1mA
Protection circuit	Surge protection	
Indicator	Yellow LED	
Ambient temperature	-25...70°C	
Ambient RH	35-95%RH	
Frequency	AC 15Hz DC 40Hz	
Dielectric strength	1000V/AC 50/60Hz 60s	
Insulation resistance	≥50MΩ (500VDC)	
Anti-vibration	1.5mm amplitude at 10 to 55Hz for 2hours each in x, y, z D-D	
Protection degree	IP67	
Housing material	PBT	
Connection	PVC Cable 2m	M12 Connector

Connection diagram



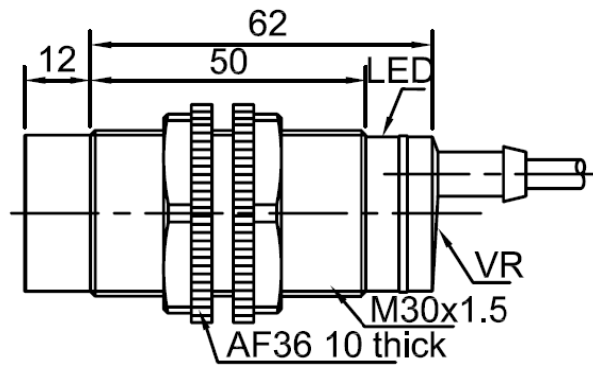
8967276



8967279

Note: Customize for cable length, housing material and shape.

Dimension (mm)



8967276

8967279