

## FEATURES

- Rated currents from 25A
- General purpose four-wire filtering
- Voltage rating 300 and 520VAC for world wide acceptance

## RS PRO Power Line Filters

RS Stock No.: 2378757,2378758



RS Professionally Approved Products bring to you professional quality parts across all product categories. Our product range has been tested by engineers and provides a comparable quality to the leading brands without paying a premium price.

### Product Description

- Mainframe computer systems
- High power office equipment
  - UPS/SMPS
- Automation equipment

### General Specifications

Protection against interference of voltage.  
 Used as a main input filter, YX91 filters can keep the system reliable by restrain the conducted interference.  
 Customized products according to customer's requirements

### Mechanical Specifications

*size* 120X100X50mm (L X W X H)

*weight* 1.25kgs

### Electrical Specifications

Rated Voltage Max. 300/520VAC,50/60Hz

Operating frequency 50/60Hz

Rated currents 25A@50°C

Hipot Rating L-N: 1600VDC

L/N-G: 4000VDC

### Protection Category

*according to IEC 60529 IP40*

### Classification

*eCI@ss (Version)*

*UNSPSC (Version)*

## Approvals

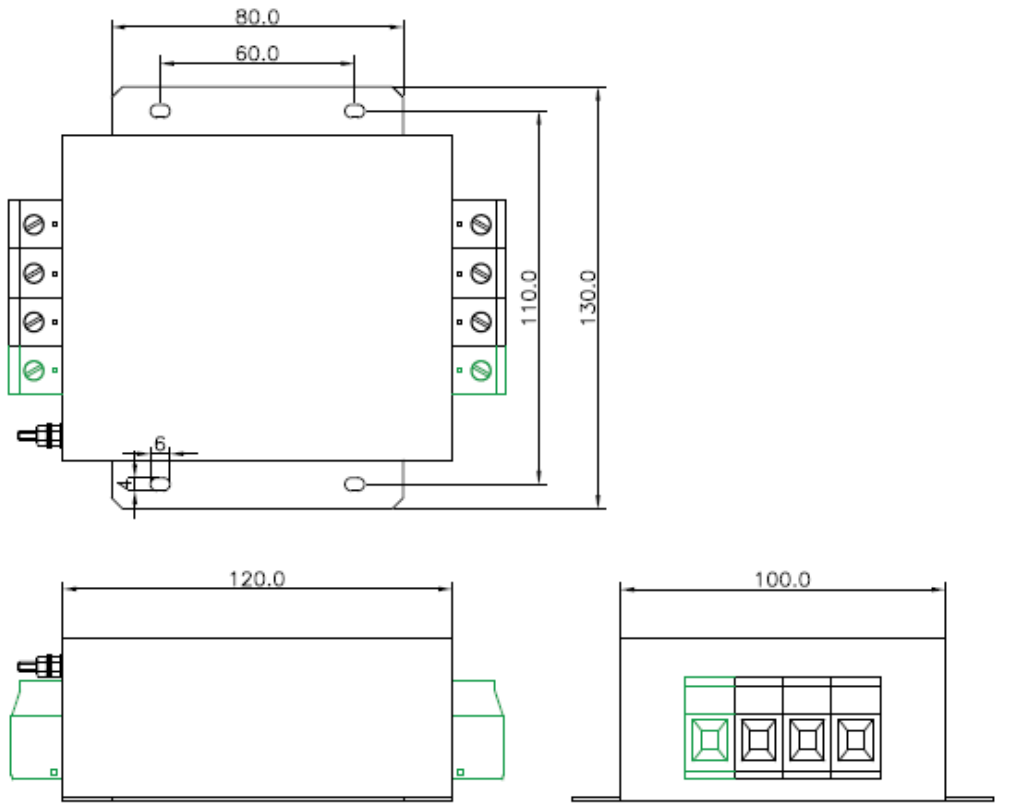
Declarations	CUL;TUV;CE
Hazardous Area Certification	
Standards Met	UL1283, CSA C22.2 No.8; IEC/EN 60939,;

## Similar Products

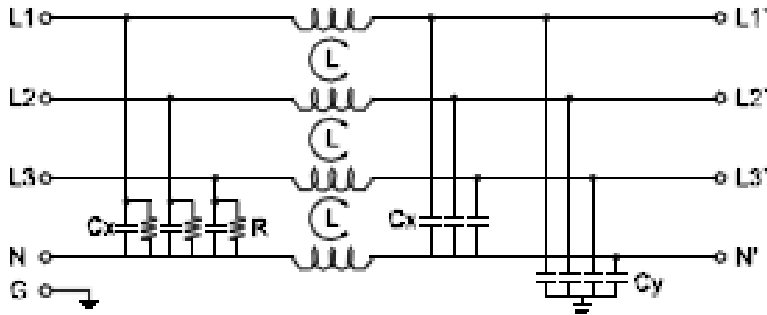
Stock No.	Brand	Product Name	Attribute 1	Attribute 2	Attribute 3
2378757,2378758	7662646				

Connection Diagrams / Assembly Diagrams / Illustrations / Accessories

## Physical Dimensions:



**Electrical Schematic:**



**Insertion loss table(In 50ohm system according IEC/CISPR No.17)**

———— Common mode      - - - - - Differential mode  
 25A

