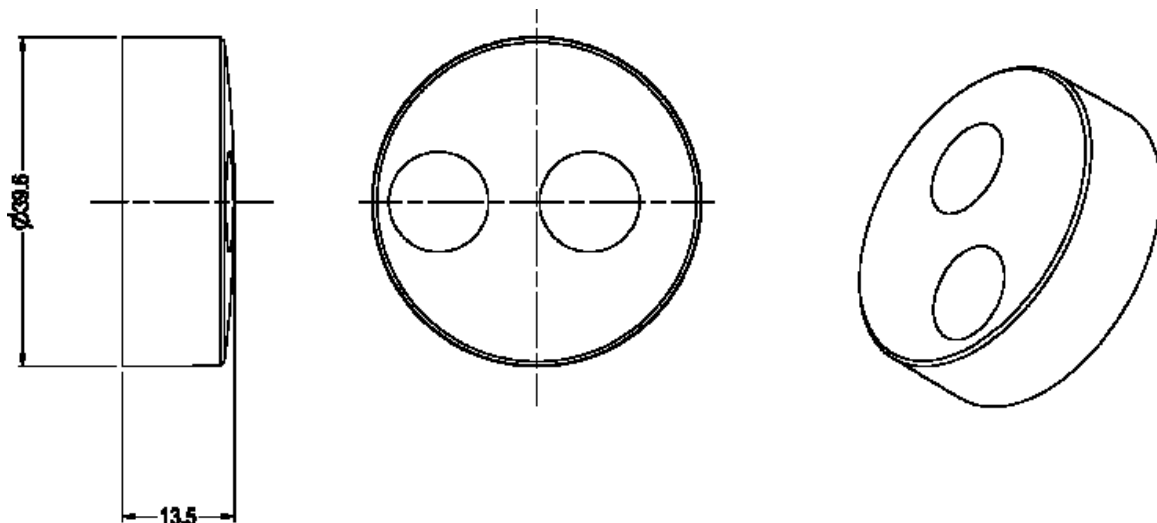


Datasheet

Encoder Knob

RS Stock number 777-7293



Description:

This is a versatile knob designed for use on encoders. It has 3 weight versions, designated light weight (L), medium weight (M) 35g and heavy weight (H) 50gm. There are push fix and screw fix versions. The top surface has dual finger locations for fast or slow spin. The 3 different weight versions give 3 kinds of inertia when spinning the encoder. The heavier weight versions give the feel of the more expensive solid metal knobs, whilst our internal construction options give possibility of various shaft fittings.



RS 7777271

Encoder knob 35gm grey 6mm splined

RS 7777303

Encoder knob 35gm grey 6.35mm screw fix

RS 7777306

Encoder knob 35gm grey 6mm screw fix



RS 7777287

Encoder knob 35gm black 6mm splined



RS 7777283

Encoder knob 50gm black 6mm splined



RS 7777280

Encoder knob 50gm grey 6mm splined



RS 7777296

Encoder knob grey 6mm splined



RS 7777299

Encoder knob black 6mm splined



RS 7777293

Encoder knob white 6mm splined